

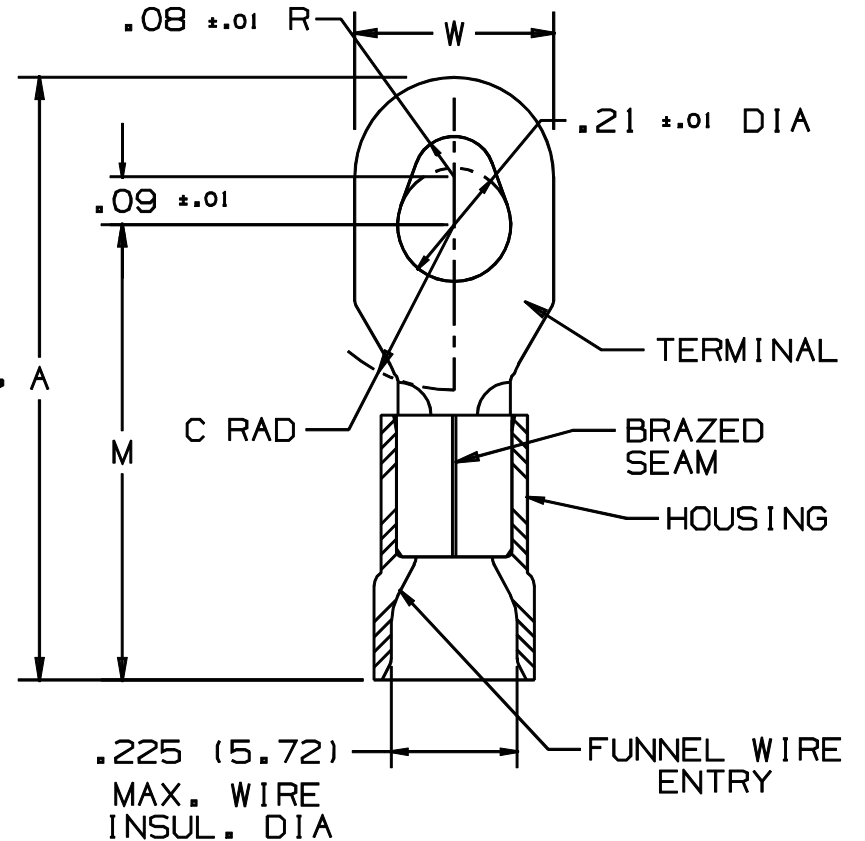
THIS COPY IS PROVIDED ON A RESTRICTED BASIS AND IS NOT TO BE USED IN ANY WAY DETRIMENTAL TO THE INTERESTS OF PANDUIT CORP.

| PANDUIT PART NUMBER | STUD SIZE | DIMENSIONS in. | | | |
|---------------------|-------------|----------------|--------------|--------------|---------------|
| | | A $\pm .04$ | W $\pm .01$ | C $\pm .02$ | M $\pm .04$ |
| PV10-610R | #6, #8, #10 | 1.17 (29.7) | .37 (9.4) | .31 (7.9) | .89 (22.6) |

NOTES:

- UL LISTED AND CSA CERTIFIED FOR:
 - 600V. MAX. BLDG WIRE (1000 V. MAX IN SIGNS, FIXTURES & LUMINAIRES), AND 14-10 AWG SOLID OR STRANDED COPPER WIRE, & 221°F (105°C MAX) TEMP RATING WITH THE CT-550, CT-1550* & CT-1551* INSTALLATION TOOL.
 - 300 V. MAX BLDG WIRE, 12-10 AWG SOLID OR STRANDED COPPER WIRE, & 167°F (75°C) MAX TEMP RATING WITH THE CT-100 & CT-250 INSTALLATION TOOLS.
- MATERIAL:
 - STAMPING - .04" (1.02) THK COPPER, TIN PLATED
 - HOUSING - VINYL, YELLOW
- STRIP LENGTH - 5/16 $\pm 1/32$ (7.9 $\pm .8$)
- PACKAGE QTY:
 - L=50
 - D=500
- DIMENSIONS IN BRACKETS ARE IN MILLIMETERS

* USE ONLY #12 AWG SOL/STR OR #10 AWG STR COPPER WIRE WITH THE CT-1550 & CT-1551 INSTALLATION TOOLS.



A41588_01

| | | | | | | |
|-----|------|----|-----|--|-------|--------------------|
| | | | | PANDUIT CORP. TINLEY PARK, ILLINOIS | | |
| 01 | 1/01 | RM | | FILESPEC WAS N41588AA_PCD_00 | | |
| 00 | 3/96 | ED | | RELEASED | 04187 | |
| REV | DATE | BY | CHK | DESCRIPTION | ECN # | CUST PM |
| | | | | | | |
| | | | | DRAWN BY EJD | CHK'D | SCALE NONE |
| | | | | | | DRAWING NO. A41588 |