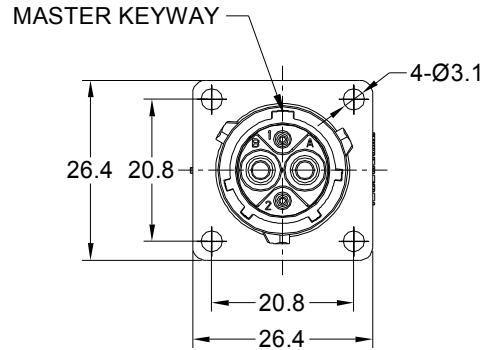
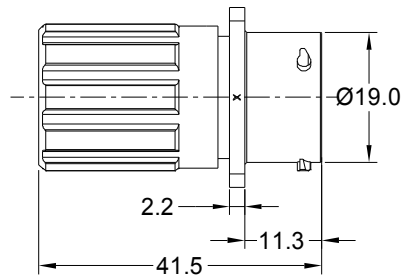
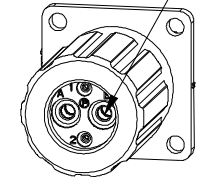
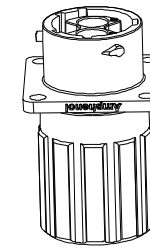


REVISIONS					
REV	ECO	DESCRIPTION	DATE	BY	APPR
A1	-	FIRST RELEASED	Jul-01-2017	Nick	Tommy
A2	-	UPDATE PANEL CUT OUT REFERENCE	Aug-08-2017	Nick	Tommy
A3	-	UPDATE DRAWING	Mar-19-2018	White	Tommy
A4	-	UPDATE DRAWING	Apr-10-2018	White	Tommy
A5	-	UPDATE DESCRIPTION AND VOLTAGE	SEP-23-21	BLINK	TOMMY



SEALING PLUGS CAN BE PURCHASED SEPARATELY



NOTES : (UNLESS OTHERWISE SPECIFIED)

1. MATERIAL :

- SHELL : THERMOPLASTIC , UL94 V-0.
- INSERT : THERMOPLASTIC , UL94 V-0.
- O-RING : NBR OR SILICONE RUBBER.
- SEAL GASKET : NBR OR SILICONE RUBBER.
- END CAP : THERMOPLASTIC , UL94 V-0.
- PLASTIC RING:THERMOPLASTIC , UL94 V-0.
- WIRE SEAL : SILICONE RUBBER.

2. SPECIFICATIONS :

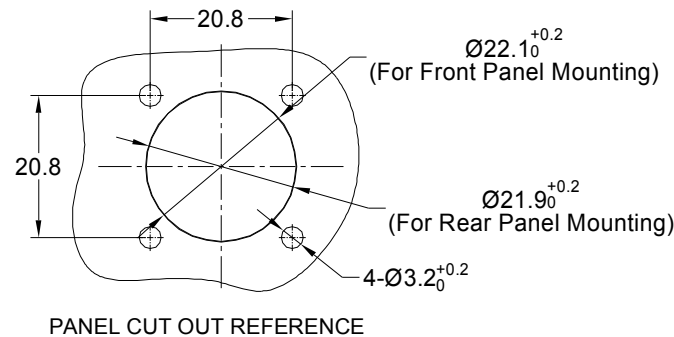
- 2.1, RATED CURRENT : 2.5mm CONTACT: 23A (MAX).  
20# CONTACT: 5A (MAX).
- 2.2, RATED VOLTAGE : 500V(AC/DC).
- 2.3, OPERATING TEMPERATURE : SEE TABLE.
- 2.4, DIELECTRIC WITHSTANDING VOLTAGE : LESS THAN  
2 MILLIAMPS CURRENT LEAKAGE@2000 VOLTS AC.
- 2.5, INSULATION RESISTANCE : 5000 MEGOHMS MIN.
- 2.6, IP-CLASS : IP67 AND IP69K IN THE MATED CONDITION,  
WIRE SEALS FULLY POPULATED.
- 2.7, MATING CYCLES DURABILITY : 500 CYCLES MIN.
- 2.8, RoHS COMPLIANT.

3. SUITABLE CONTACTS : 2.5mm CONTACT.

20# CONTACT.

4. ALL DIMENSIONS ARE FOR REFERENCE USE ONLY.

CONTACT SIZE	MIN. INSUL O.D.	MAX. INSUL O.D.	WIRE RANGE
2.5mm	Ø3.3mm	Ø4.3mm	14 - 12AWG
20#	Ø1.6mm	Ø2.6mm	30 - 20AWG



KEY	PART NUMBER	
		-40°C ~ 105°C
N	RTS012N2PHEC	RTS012N2PHEC03

QUANTITY	PART NUMBER	DESCRIPTION	ITEM
<b>MATERIALS LIST</b>			
<b>UNLESS OTHERWISE SPECIFIED</b>		<b>SIGNATURES</b> <b>DATE</b>	
1) All dimensions are in metric(mm).		DRAWN: BLINK	SEP-23-2021
2) Tolerances are as follows:		CHECKED: ORION	SEP-24-2021
1 PL DEC ±0.30		ENGINEER:	
2 PL DEC ±0.15		APPROVAL: TOMMY	SEP-27-2021
3 PL DEC ±0.08		CUSTOMER:	
3) Note reference =		THIS DRAWING IS SUPPLIED FOR INFORMATION ONLY. DESIGN FEATURES, SPECIFICATIONS AND PERFORMANCE DATA SHOWN HEREON ARE THE PROPERTY OF THE AMPHENOL CORPORATION. NO RIGHTS OF REPRODUCTION ARE IMPLIED. ALL DIMENSIONS ARE SUBJECT TO NORMAL MANUFACTURING VARIATIONS.	
MATERIAL SPECIFICATIONS:		SIZE    TYPE    DWG NO.    REVISION	
PROCESS SPECIFICATIONS:		B    C-    RTS012*2PHECxx    A5	
NEXT ASSY:		SCALE    NONE    SHEET 1 OF 1	

TITLE: EcoMate Aquarius, RECEPTACLE END CAP FLANGE, SIZE 12, 2+2 POS, PIN      DWG NO.: RTS012\*2PHECxx      REV: A5      SH: 1      OF: 1

**Amphenol**  
Sine Systems - www.amphenol-sine.com  
44724 Morley Drive  
Clinton Township, MI 48036

EcoMate Aquarius, RECEPTACLE, END CAP,  
FLANGE, SIZE 12, 2+2 POS, PIN