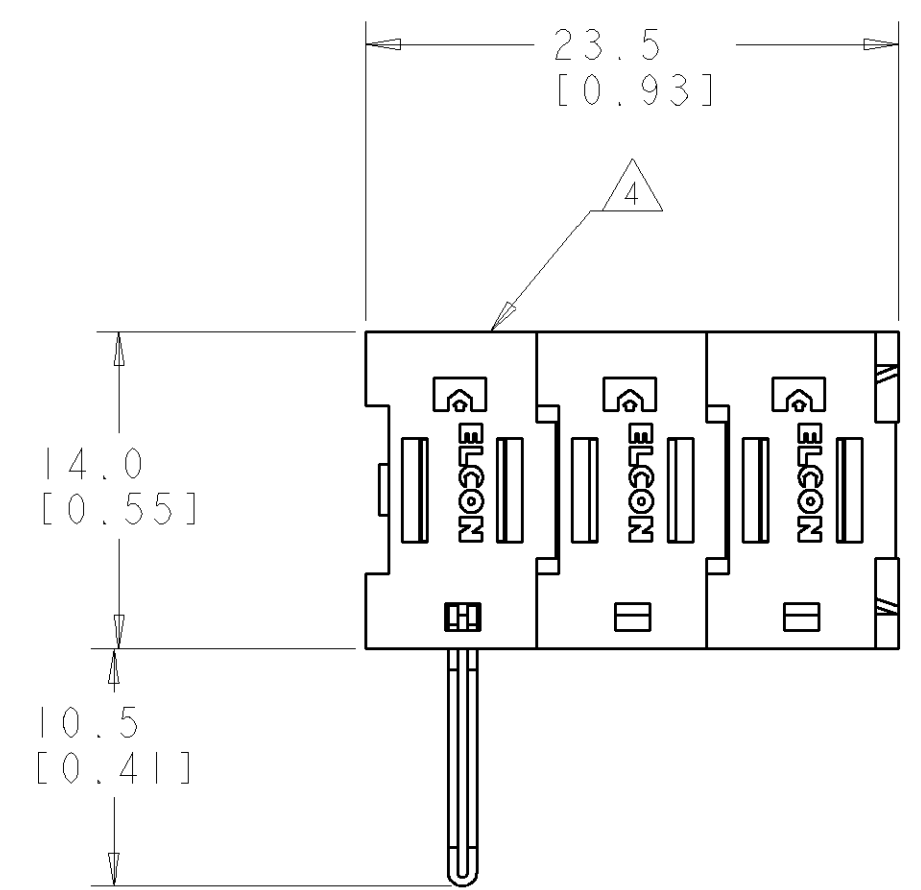


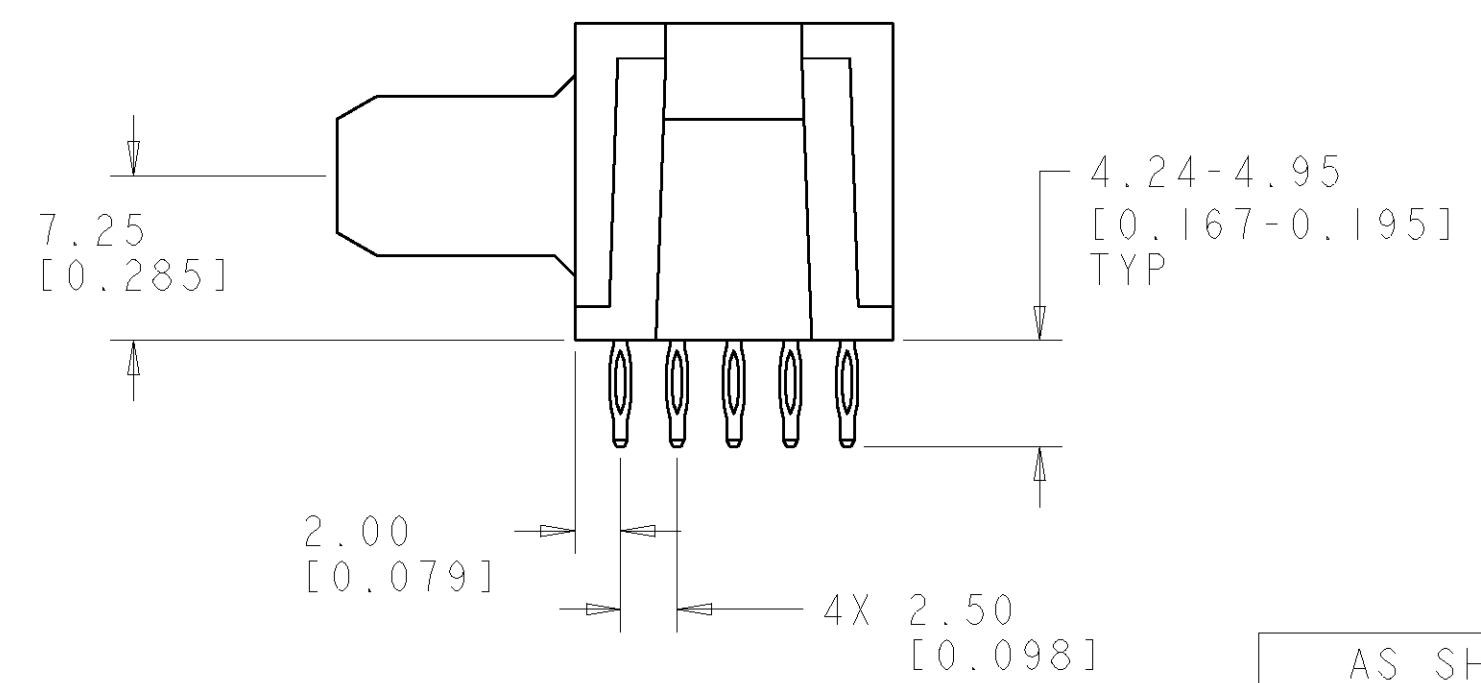
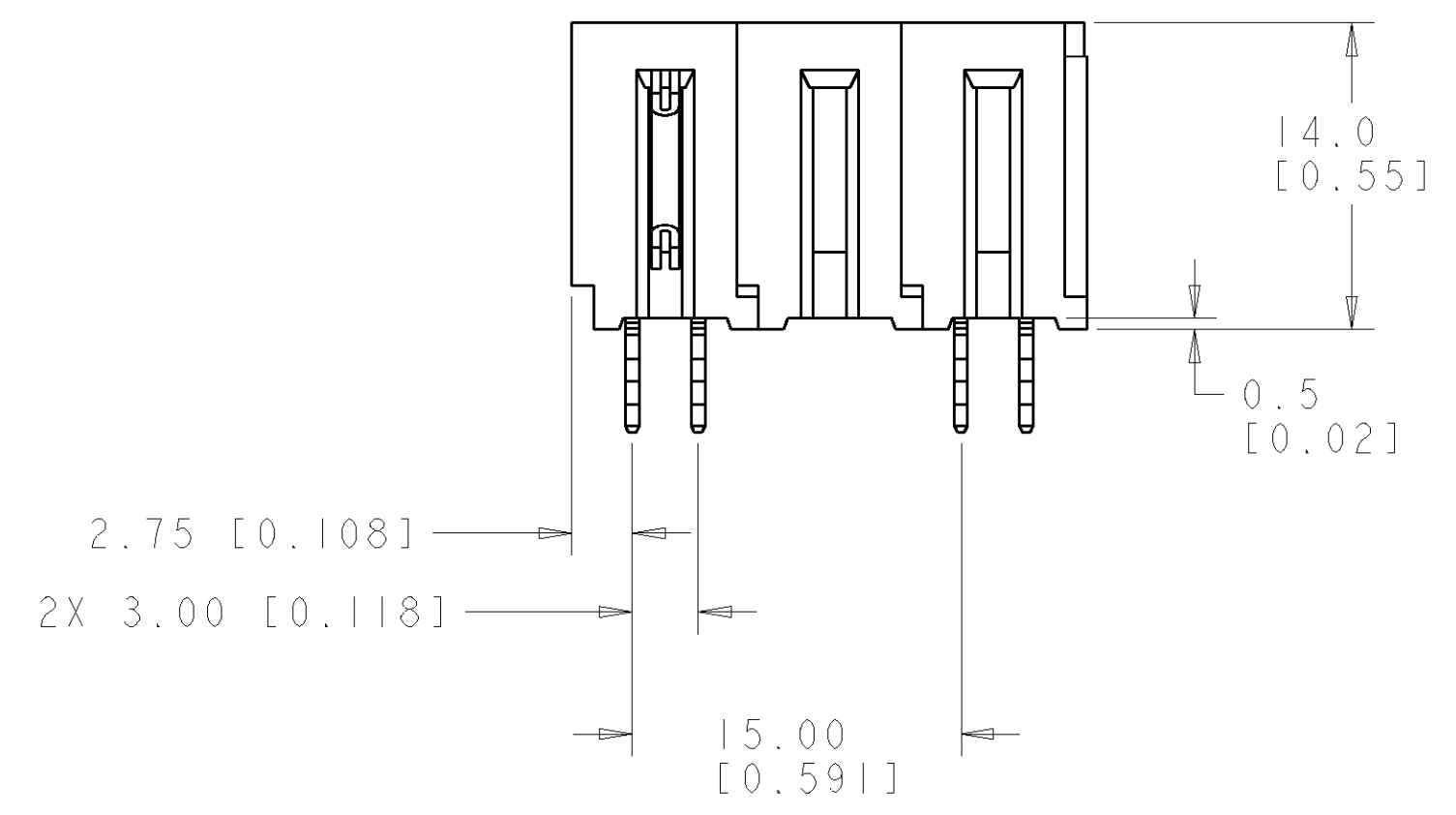
THIS DRAWING IS UNPUBLISHED. RELEASED FOR PUBLICATION 20
 © COPYRIGHT 20 BY TYCO ELECTRONICS CORPORATION. ALL RIGHTS RESERVED.

| LOC | DIST | REVISIONS | | | | | |
|-----|------|-----------|-----|-------------|-----------|-----|------|
| GP | 00 | P | LTR | DESCRIPTION | DATE | DWN | APVD |
| | | | A | RELEASED | 08JAN2007 | RG | PD |
| | | | | | | | |
| | | | | | | | |



- PART NUMBER CHANGES AND OR DESIGN CHANGES AFFECTING ITEM INTERCHANGEABILITY REQUIRE PRIOR TYCO APPROVAL AND AUTHORIZATION BY REVISION TO THIS DRAWING.
 - MATERIAL:
 - INSULATORS - THERMOPLASTIC, GLASS REINFORCED, COLOR: BLACK UL94V-0 FLAMMABILITY RATED.
 - POWER CONTACTS - PHOSPHOR BRONZE ALLOY, COPPER ALLOY
 - CROWN BANDS - BERYLLIUM COPPER ALLOY
 - FINISH:
 - CONTACTS - GOLD PLATE .000030" MIN. THK., OVER NICKEL .000050" MIN. THK
 - COMPLIANT TAILS, TIN .000100" MIN. THK. OVER NICKEL .000050" MIN. THK
- △ ITEMS PROVIDED TO THIS SPECIFICATION TO BE PERMANENTLY IDENTIFIED PER THE FOLLOWING IDENTIFIER LABEL

YEAR WEEK
 TYCO PART NO. & REV DATE CODE (e.g. 0106)
 XXXXXXXX-X XXXX

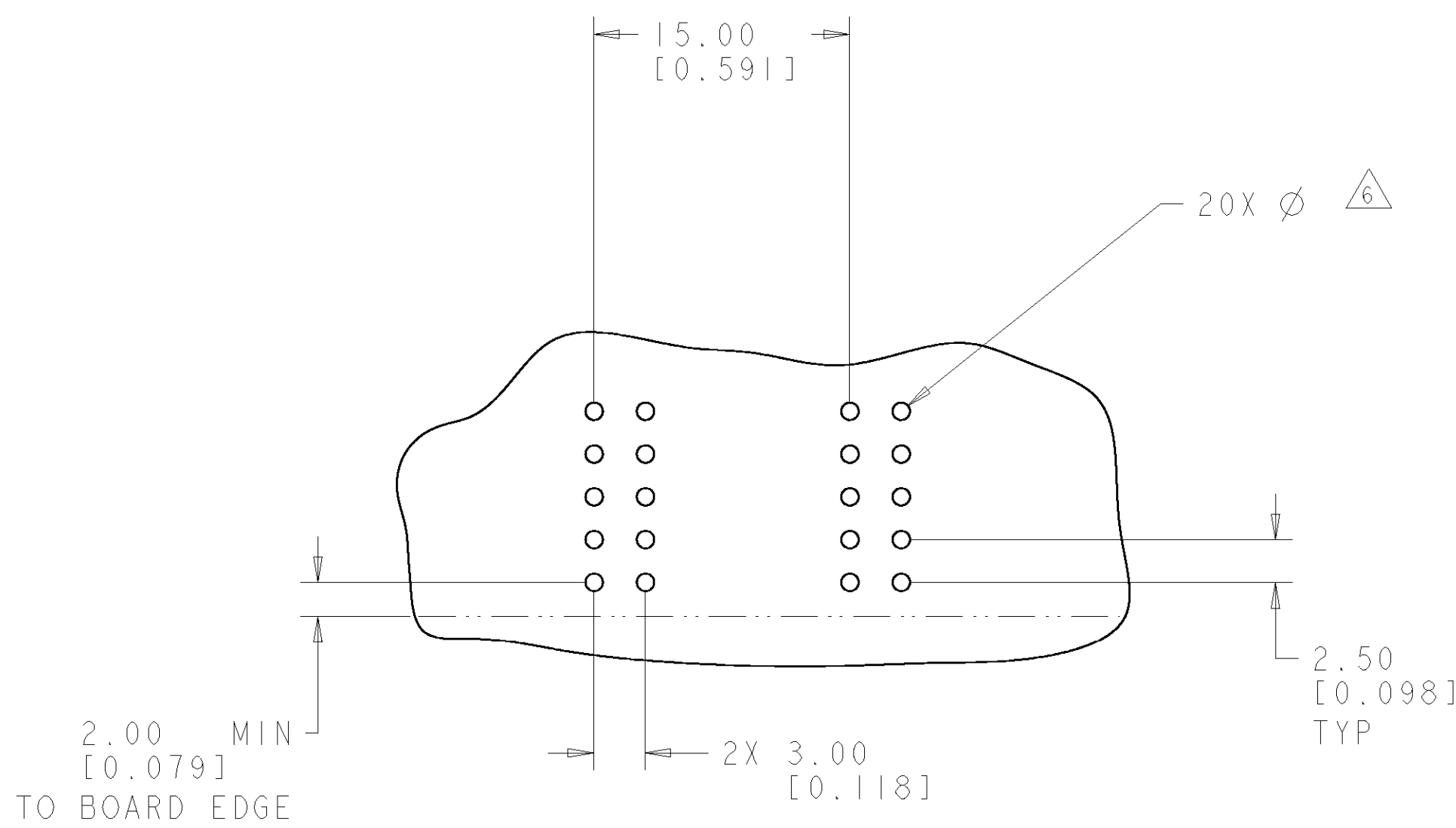


ELCON FLATPAQ

| | | | | |
|--|--|----------------------------|---|---------------------|
| THIS DRAWING IS A CONTROLLED DOCUMENT FOR TYCO ELECTRONICS CORPORATION IT IS SUBJECT TO CHANGE AND THE CONTROLLING ENGINEERING ORGANIZATION SHOULD BE CONTACTED FOR THE LATEST REVISION. | | DWN R. GRZYBOWSKI 22DEC06 | AS SHOWN | 1926348-1 |
| DIMENSIONS: mm [INCHES] | | CHK P. DAMATO 22DEC06 | DESCRIPTION | PART NUMBER |
| TOLERANCES UNLESS OTHERWISE SPECIFIED: | | APVD S. FLICKINGER 22DEC06 | Tyco Electronics Harrisburg, PA 17105-3608 | |
| 0 PLC ± .5 [.020] | | PRODUCT SPEC | NAME PIN CONNECTOR | |
| 1 PLC ± .25 [.010] | | APPLICATION SPEC | RIGHT ANGLE, COMPLAINT TAILS | |
| 2 PLC ± .25 [.010] | | WEIGHT | SIZE A2 | CAGE CODE C-1926348 |
| 3 PLC ± .25 [.010] | | CUSTOMER DRAWING | DRAWING NO | RESTRICTED TO |
| 4 PLC ± .25 [.010] | | | SCALE 3:1 | SHEET 1 OF 3 |
| ANGLES ± 5 | | | | REV A |
| FINISH | | | | |

THIS DRAWING IS UNPUBLISHED. RELEASED FOR PUBLICATION 20
 © COPYRIGHT 20 BY TYCO ELECTRONICS CORPORATION. ALL RIGHTS RESERVED.

| LOC | DIST | REVISIONS | | | | | |
|-----|------|-----------|-----|-------------|------|-----|------|
| GP | 00 | P | LTR | DESCRIPTION | DATE | DWN | APVD |
| | | - | | SEE SHEET 1 | - | - | - |



PRINTED CIRCUIT LAYOUT
SCALE 3:1

| CONNECTOR | CATALOG MODULE # | QTY | SIZE NO. | CONTACT QTY | MATING PIN | MAX. CURRENT (PER CONTACT) | CONTACT SPACING | VOLTAGE RATING |
|-----------|------------------|-----|----------|-------------|------------------------------|----------------------------|-----------------|----------------|
| PIN | FP205 | 1 | 8 | 2 | 1.25 X 7.00 [.049 X .276] | 35 amps | 7.50 [.2953] | 250 |
| | FP512 | 1 | - | - | SPACER | | | |
| | FP204 | 1 | 8 | 2 | 1.25 X 7.00 [.049 X .276] | 35 amps | 7.50 [.2953] | 250 |

THIS DRAWING IS A CONTROLLED DOCUMENT FOR TYCO ELECTRONICS CORPORATION. IT IS SUBJECT TO CHANGE AND THE CONTROLLING ENGINEERING ORGANIZATION SHOULD BE CONTACTED FOR THE LATEST REVISION.

DWN: R. GRZYBOWSKI 22DEC06
 CHK: P. DAMATO 22DEC06
 APVD: S. FLICKINGER 22DEC06

tyco Tyco Electronics
 Harrisburg, PA 17105-3608

NAME: PIN CONNECTOR
 RIGHT ANGLE, COMPLAINT TAILS
 FLATPAO

DIMENSIONS: mm [INCHES]
 TOLERANCES UNLESS OTHERWISE SPECIFIED:
 0 PLC ±.5 [.020]
 1 PLC ±.25 [.010]
 2 PLC ±.25 [.010]
 3 PLC ±.25 [.010]
 4 PLC ±.25 [.010]
 ANGLES ±.5

MATERIAL: -

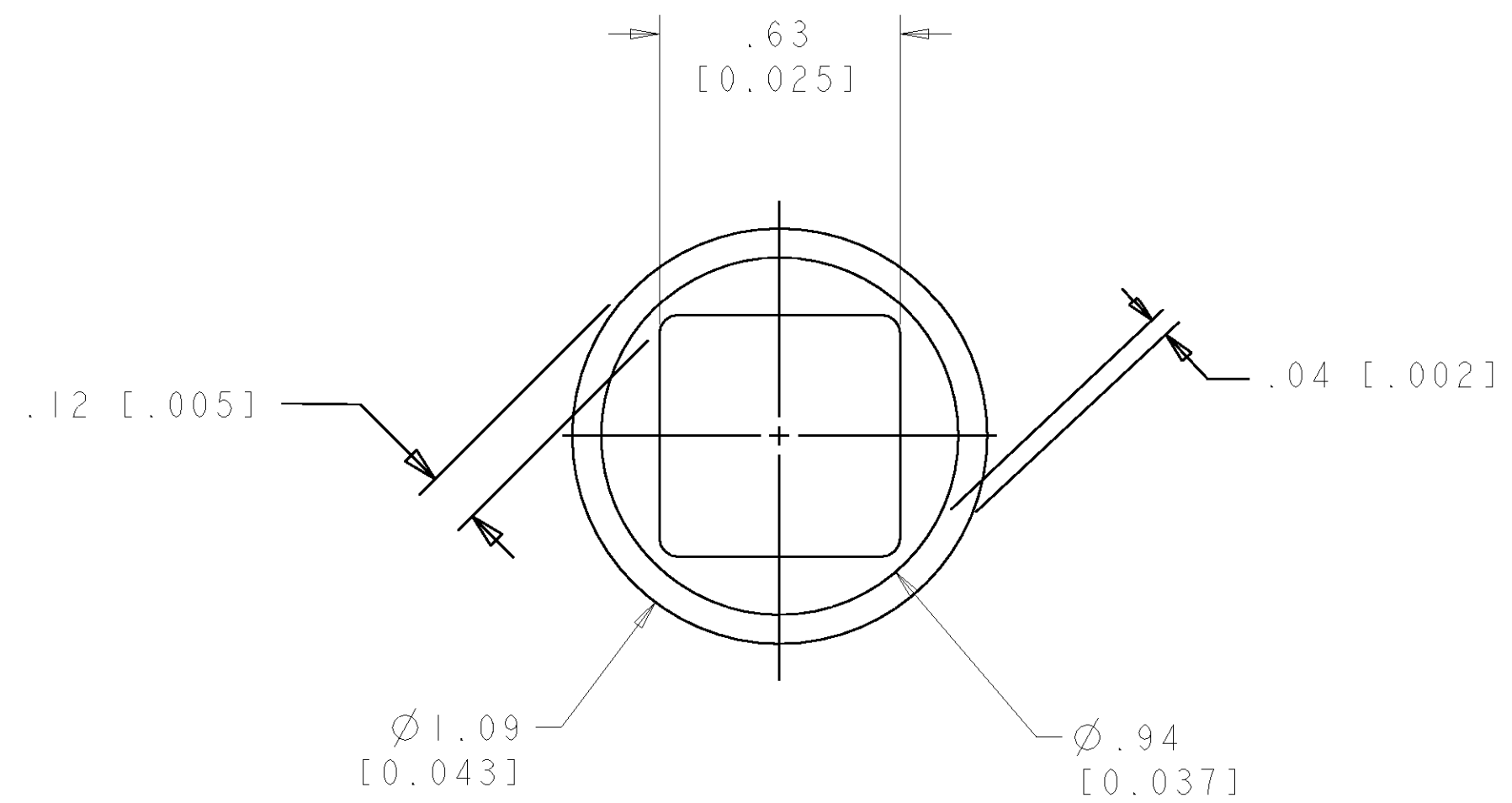
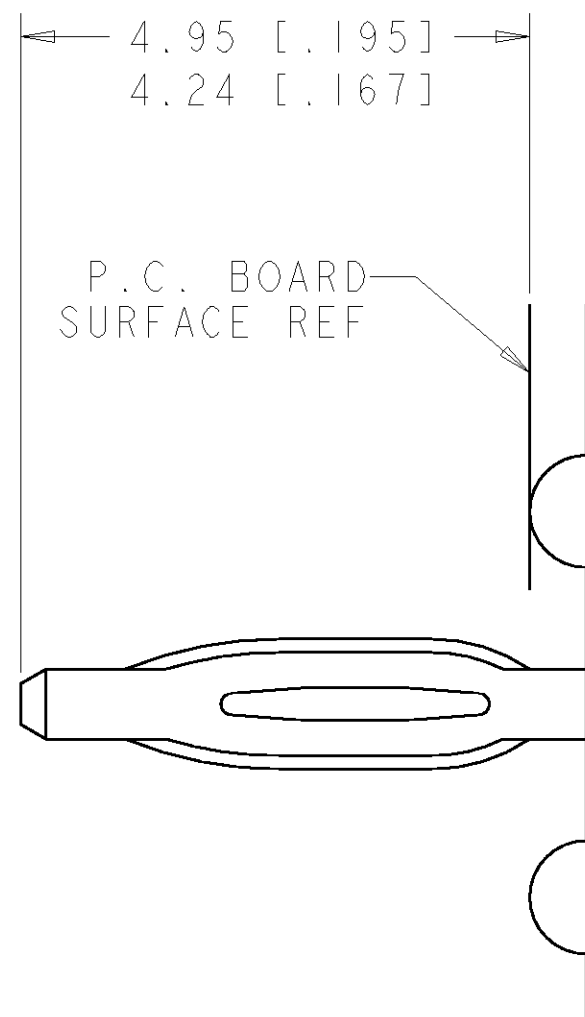
PRODUCT SPEC: -
 APPLICATION SPEC: -
 WEIGHT: -

SIZE: A200779 CAGE CODE: 1926348 DRAWING NO: 1926348 RESTRICTED TO: -

CUSTOMER DRAWING SCALE: 3:1 SHEET 2 OF 3 REV A

THIS DRAWING IS UNPUBLISHED. RELEASED FOR PUBLICATION 20
 © COPYRIGHT 20 BY TYCO ELECTRONICS CORPORATION. ALL RIGHTS RESERVED.

| LOC | DIST | REVISIONS | | | |
|-----|------|-------------|-------------|-----|------|
| P | LTR | DESCRIPTION | DATE | DWN | APVD |
| GP | 00 | - | SEE SHEET 1 | - | - |
| | | | | | |
| | | | | | |



5. COMPLIANT PIN DETAIL
 SCALE 10 : 1
 INSERTION/EXTRACTION FORCES
 MAXIMUM PUSH IN: 133.3N PER PIN
 [30 LBS]
 MINIMUM PUSH OU: 44.4N PER PIN
 [10 LBS]

6. SOLDER TERMINATION AREA
 SCALE 40:1
 RECOMMENDED PRINTED CIRCUIT HOLE
 COMPLIANT PRESS FIT
 DRILLED HOLE: Ø1.15 [.0453] ±.013 [.0005]
 COPPER PLATE: .025 [.0010] TO .050 [.0020]
 TIN PLATE: .0005 [.000020] MIN. (PER SURFACE)

| | | | | |
|--|--|----------------------------------|--|------------------------|
| THIS DRAWING IS A CONTROLLED DOCUMENT FOR TYCO ELECTRONICS CORPORATION IT IS SUBJECT TO CHANGE AND THE CONTROLLING ENGINEERING ORGANIZATION SHOULD BE CONTACTED FOR THE LATEST REVISION. | | DWN R. GRZYBOWSKI 22DEC06 | tyco Electronics Tyco Electronics Harrisburg, PA 17105-3608 | |
| DIMENSIONS: mm [INCHES] | | CHK P. DAMATO 22DEC06 | NAME PIN CONNECTOR RIGHT ANGLE, COMPLAINT TAILS FLATPAQ | |
| TOLERANCES UNLESS OTHERWISE SPECIFIED: 0 PLC ±- 1 PLC ±.5 [.020] 2 PLC ±.25 [.010] 3 PLC ±- 4 PLC ±- ANGLES ±.5 FINISH | | APVD S. FLICKINGER 22DEC06 | RESTRICTED TO | |
| MATERIAL | | PRODUCT SPEC - | SIZE A200779 | CAGE CODE C-1926348 |
| | | APPLICATION SPEC - | DRAWING NO 1926348 | |
| | | WEIGHT - | SHEET 3 OF 3 | |
| | | CUSTOMER DRAWING | REV A | |