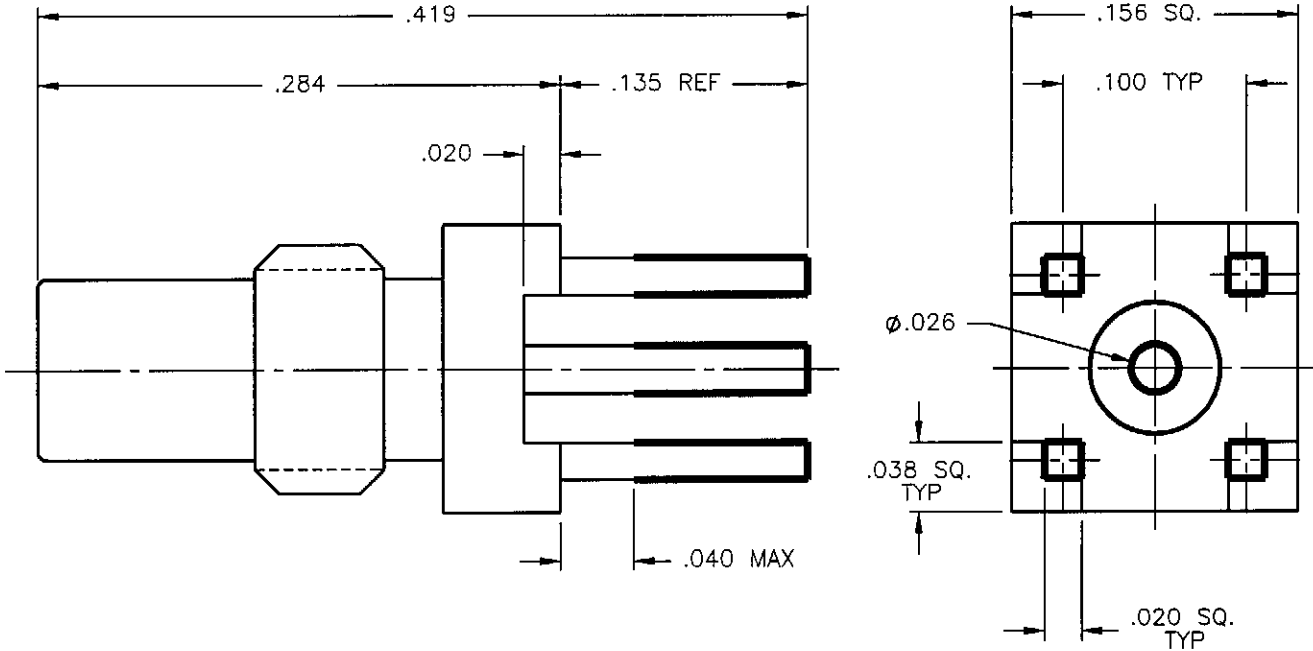


REVISIONS			
REV.	DESCRIPTION	DATE	APPROVED
A	INITIAL RELEASE	09/15/09	M.J.



NOTES:

MATERIALS:

1. BODY = BRASS PER ASTM B16, ALLOY C36000, TEMPER H02.
2. INSULATOR = VIRGIN WHITE TEFLON PER ASTM D1710, GRADE 1, TYPE I, CLASS "B".
3. CONTACT = BERYLLIUM COPPER PER ASTM B196, ALLOY C17300, TEMPER TD04.

FINISHES:

1. BODY = GOLD PLATE PER MIL-G-45204, TYPE II, CLASS 0, GRADE C, OVER .00010 TO .00020 COPPER STRIKE PER MIL-C-14550.
2. CONTACT = GOLD PLATE PER MIL-G-45204, TYPE II, CLASS 1, GRADE C, OVER .00010 TO .00020 STRESS FREE SULFAMATE NICKEL PER QQ-N-290.

Property of Radiall Incorporated
 This document cannot be reproduced or
 communicated to a third party without prior
 written permission of RADIALL Incorporated.

UNLESS OTHERWISE SPECIFIED DIMENSIONS ARE IN INCHES TOLERANCES ON	DWN: M.J.	DATE 09/15/09
	CHKD: D.N.	DATE 09/15/09
	APVD: J.M.	DATE 09/15/09
DECIMAL	ANGLE	
REFERENCE:	MATERIALS & FINISHES: SEE NOTES	
ORIGINATED: M.J. DATE: 09/15/09		



APPLIED ENGINEERING PRODUCTS
 104 John W. Murphy Dr.
 New Haven, CT 06513

SSMC STRAIGHT JACK
 P.C.B. MOUNT
 RECEPTACLE

SIZE A	FSCM NO. 19505	DWG NO. 7009-1511-041	REV A
SCALE 10:1		THIRD ANGLE PROJECTION	SHEET 1 OF 1

7009-1511-041