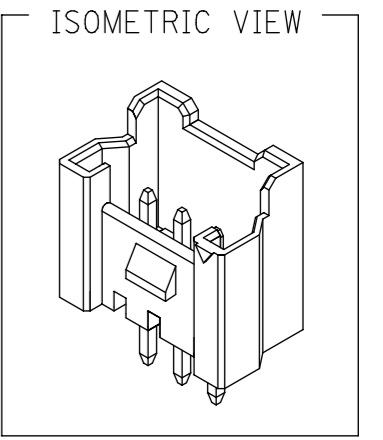
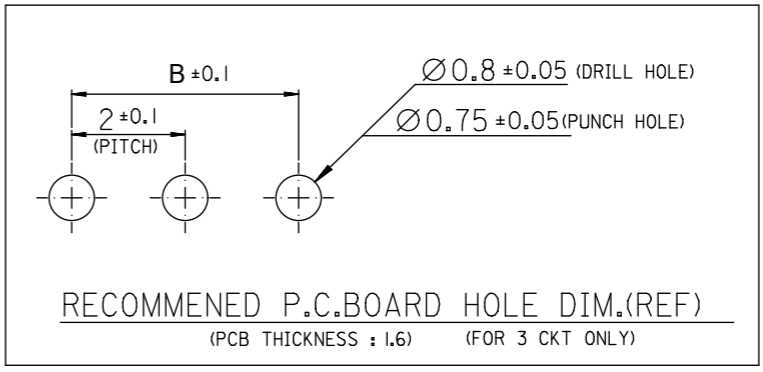
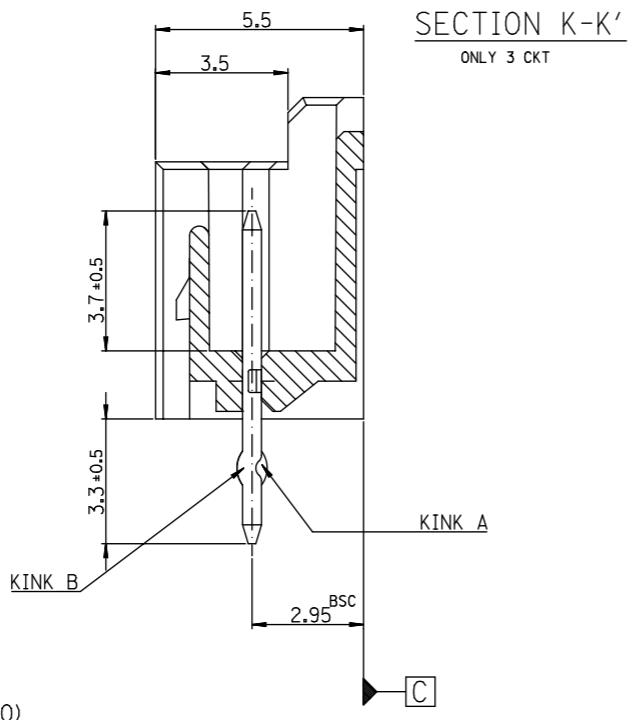
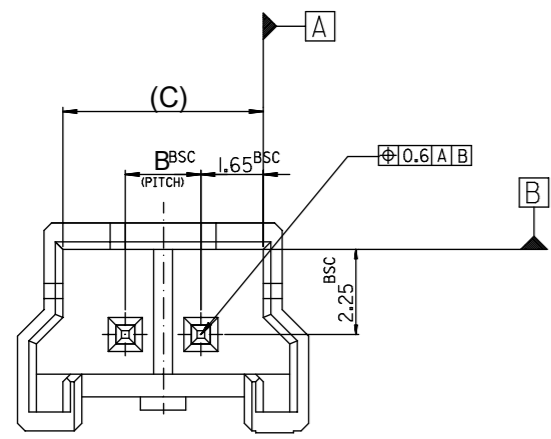


FOR 2 & 3 CKTS.



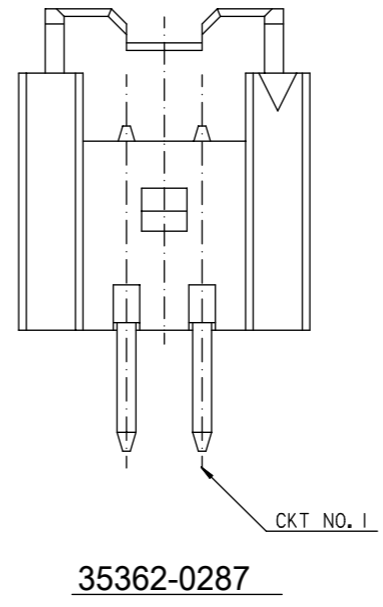
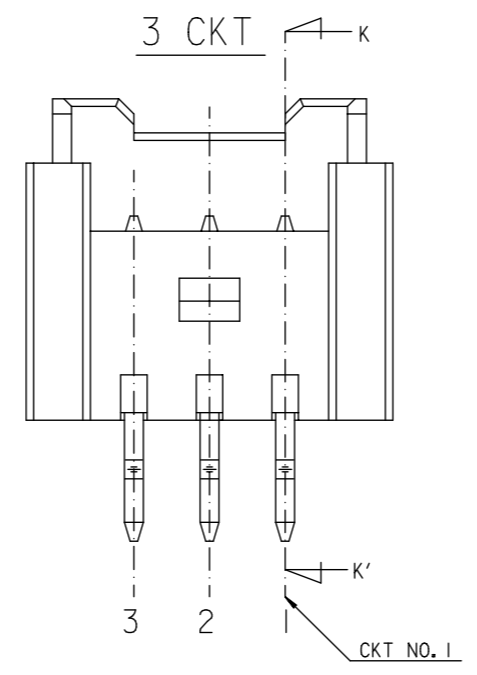
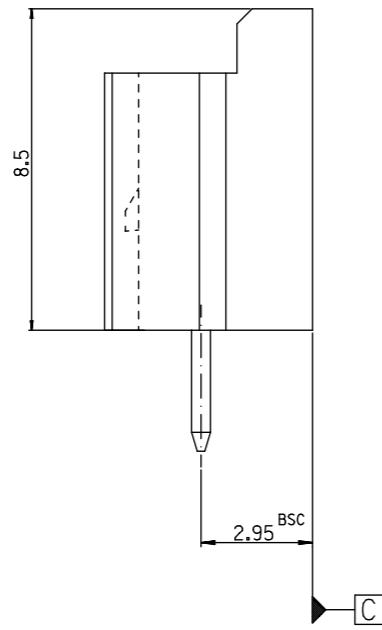
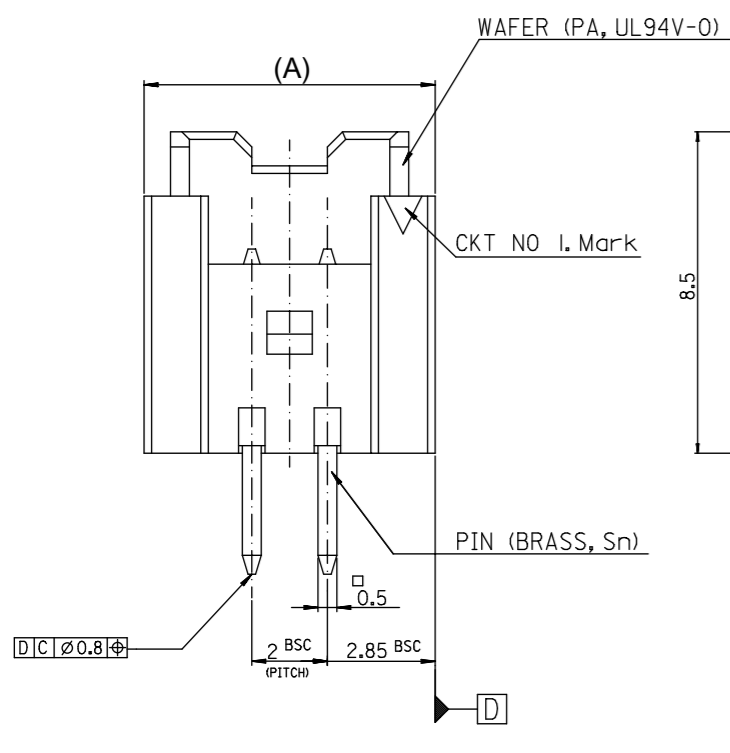
LEGEND

SD-35362-****
 CKT NO. _____ COLOR _____

FINAL GOOD (BULK)
 SUB ASSY (TUBE)

- 5 : SELECTIVE KINK (LEAD FREE)
- 6 : NONE KINK (LEAD FREE)
- 7 : SELECTIVE KINK (LEAD FREE)
- 8 : NONE KINK (LEAD FREE)

- 0 : NATURAL
- 1 : BLACK
- 2 : RED
- 3 : YELLOW
- 4 : BLUE
- 5 : GREEN
- 6 : TUBE PACKING (Natural Color)
- 7 : TUBE PACKING (Red Color)
- 8 : TUBE PACKING (Blue Color)



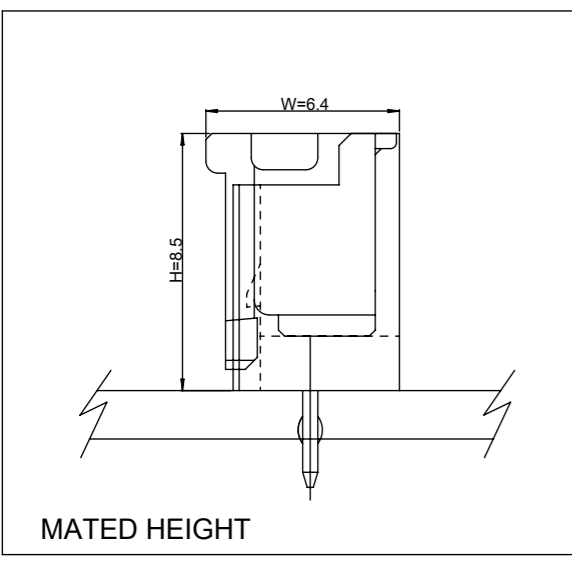
35362-0287

- NOTES**
- MATERIAL : UNFILLED POLYAMIDE, UL94V-0
PIN : BRASS
 - FINISHES : PIN - Tin(Sn) 1.0~3.0µm OVERALL
Cu 1.5~3.75µm OVERALL
 - PRODUCT SPECIFICATION : PS-35507-003
 - MATING HOUSING : 35507-**0*
MATING TERMINAL : 50212-8000
 - KINK

	CKT NO	1	2	3
CKT				
2 CKT				
3 CKT	A	B	A	

	CKT NO	1	2
PRODUCT NO.			
35362-0287	A	B	

7.3	4	9.7	3536203**	35362-03**	3
5.3	2	7.7	3536202**	35362-02**	2
(C)	B	(A)	MATERIAL NO.	ENG. NO.	CKT



LEAD FREE

30 over	±0.3
10 over 30 under	±0.25
10 under	±0.2
ANGLE	± 3°

FUNCTIONAL SYMBOLS
 DIMENSION UNITS: mm
 SCALE: 5:1

GENERAL TOLERANCES (UNLESS SPECIFIED)
 ANGULAR TOL ± °

DIVISIONAL SYMBOLS
 4 PLACES ±
 3 PLACES ±
 2 PLACES ±
 1 PLACE ±
 0 PLACES ±

GENERAL TOLERANCE

THIS DRAWING CONTAINS INFORMATION THAT IS PROPRIETARY TO MOLEX ELECTRONIC TECHNOLOGIES, LLC AND SHOULD NOT BE USED WITHOUT WRITTEN PERMISSION

CURRENT REV DESC:
 EC NO: 636378
 DRWN: SCHONG03
 CHK'D: JBJIN
 APPR: YSKIM02

INITIAL REVISION:
 DRWN: DYJANG
 APPR: CHANGWOOLEE

DATE: 2020/04/21
 DATE: 2020/04/23
 DATE: 2004/09/01
 DATE: 2004/09/02

molex

2.0 WB WAFER ASS'Y
 -LEAD FREE-

PRODUCT CUSTOMER DRAWING

DOCUMENT NUMBER: SD-35362-002
 DOC TYPE: PSD
 DOC PART: 002
 REVISION: F3

MATERIAL NUMBER: SEE TABLE
 CUSTOMER: GENERAL MARKET
 SHEET NUMBER: 1 OF 1

DRAFT WHERE APPLICABLE MUST REMAIN WITHIN DIMENSIONS
 THIRD ANGLE PROJECTION
 DRAWING: A3-SIZE
 SERIES: 35362