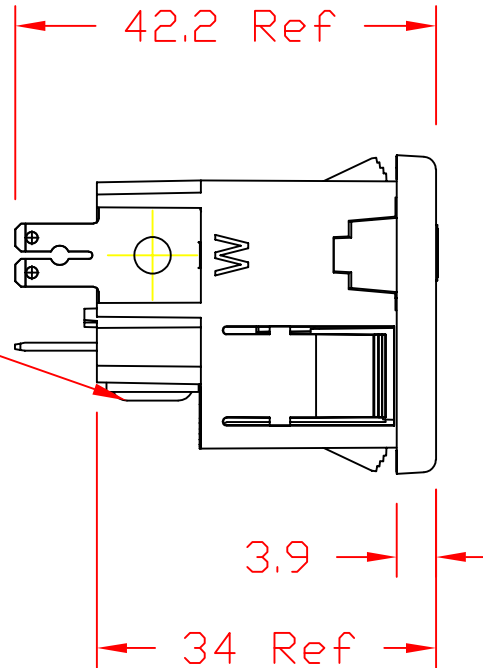


8-32 GROUND SCREW
WITH SQUARE WASHER



MAX. PANEL THICKNESS: .81-2.00mm
(.032"-.079")

THIS DOCUMENT AND ITS CONTENTS ARE THE PROPRIETARY CONFIDENTIAL
PROPERTY OF INTERPOWER CORPORATION. NO USE OR COPIES
MAY BE MADE WITHOUT WRITTEN PERMISSION FROM INTERPOWER CORPORATION.

DIMENSIONS IN MILLIMETERS

TITLE NEMA 5-15 Socket

DRAFT BY: RLB

DATE: 9-25-12

PART
NUMBER:

88212100

DRAFTING
APPROVAL:

DATE:

MATERIAL:

DO NOT SCALE

INTERPOWER
CORPORATION

SHEET 1 OF 1

REV

CHANGE DESCRIPTION

DATE

INITIALS

B

Remove tolerance info and replace with "Ref"

6-3-22

JPC

A

Drawing Released

9-25-12

RLB