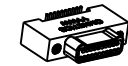
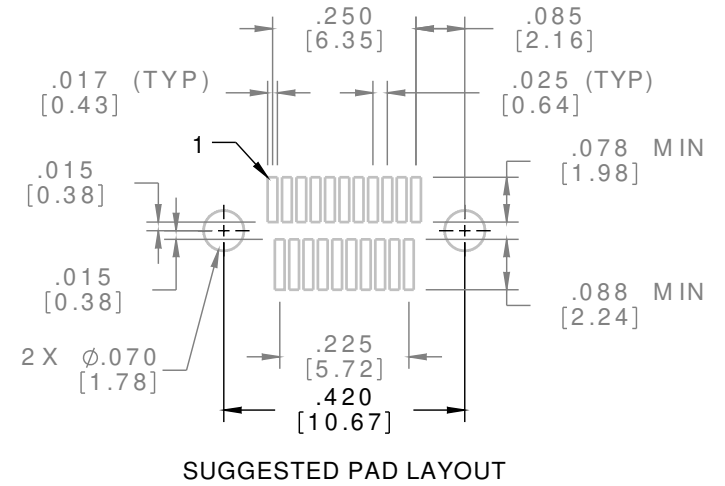
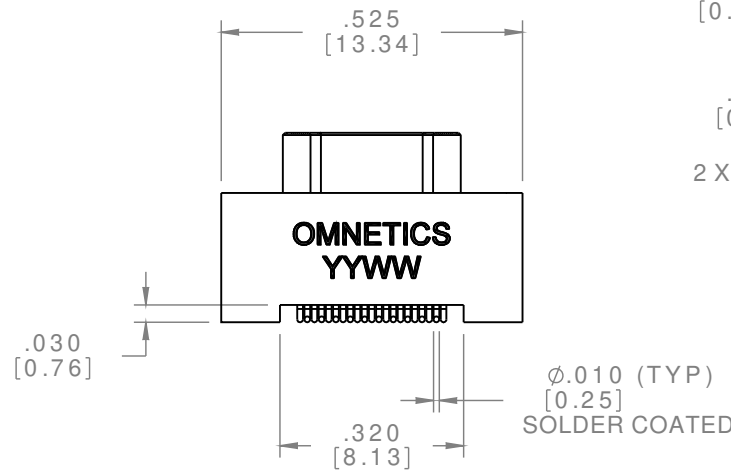
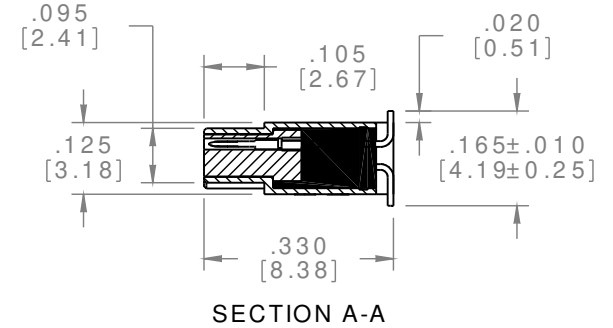
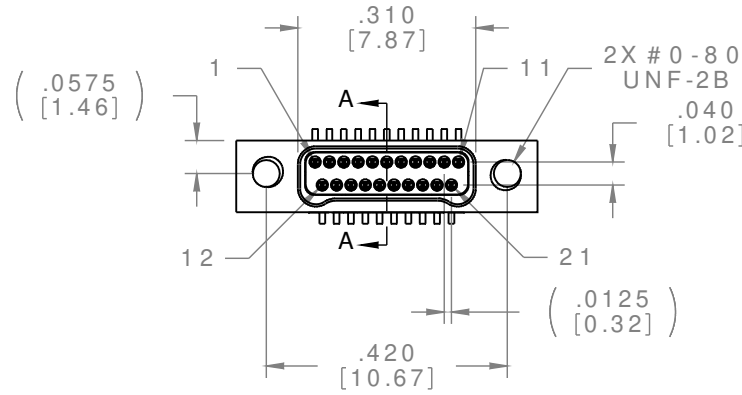


# MATERIALS & SPECIFICATIONS

PART NO.	A 28200-021	REV	ECO	DATE	APP
		G	98056	11-10-11	TLM

- HOUSING:**  
ALUMINUM 6061-T6, NICKEL PLATE PER AMS-C-26074.
- INSULATOR:**  
LIQUID CRYSTAL POLYMER (LCP) PER ASTM D5138.
- CONTACT:**  
BERYLLIUM COPPER PER ASTM B194, C17200, GOLD PLATED PER ASTM B488, (HARD GOLD) TYPE II CODE C, CLASS 1.27.
- TERMINATION:**  
SOLDER COATED WITH SN63A PER J-STD-006 OR AMS-P-81728.
- CURRENT RATING:**  
1 AMP MAX PER MIL-DTL-32139.
- CONTACT RESISTANCE:**  
71 MILLIOHM MAX (71mV DROP MAX) @ 1.0 AMPS PER MIL-DTL-32139.
- PERFORMANCE:**  
PRODUCT FAMILY TESTED TO AND PASSED THE PERFORMANCE SPECIFICATIONS OF TABLE VIII OF MIL-DTL-32139.



ACTUAL SIZE

**NOTE:**

DIMENSIONS IN [ ] ARE IN MILLIMETERS UNLESS OTHERWISE NOTED AND ARE FOR REFERENCE ONLY

MNP O SLDW	THIRD ANGLE
	-TOLERANCES- UNLESS OTHERWISE NOTED
	DIMENSIONS IN INCHES
	2 PL DEC± .01 3 PL DEC± .005 4 PL DEC± .0005 ANGLES ± 1°

THIS DRAWING CONTAINS CONFIDENTIAL AND PROPRIETARY INFORMATION WHICH IS THE PROPERTY OF OMNETICS CONNECTOR CORPORATION. THIS DOCUMENT MAY NOT, IN WHOLE OR IN PART, BE DUPLICATED, OR DISCLOSED FOR ANY PURPOSE, WITHOUT WRITTEN PERMISSION FROM OMNETICS CONNECTOR CORP.			
DFTM. AAS	DATE	TITLE:	
CHK'D.	DATE	(21) PIN MALE	
APP'D.	DATE	Bi-Lobe® CONNECTOR	

**OMNETICS**  
CONNECTOR CORPORATION  
7260 COMMERCE CIRCLE EAST  
MINNEAPOLIS, MN 55432  
WWW.OMNETICS.COM

CAGE CODE 61873	
DWG NO. A28200-021	
SHEET 1 OF 1	REV G
SCALE: 3:1	