

**Ratings**

Voltage: 600 V  
 Temperature: -40~105 °C  
 Flammability: FT2

**Conductor**

Conductor count: 2  
 Gauge: 18 AWG 0.82 mm<sup>2</sup>  
 Material: tinned copper strands  
 Strand size:  $\varnothing 0.16 \times 41$   
 Resistance at 20 °C: 23.2  $\Omega$  /km max

**Insulator**

Material: mPPE  
 Color: red, black  
 Diameter:  $\varnothing 1.8 \pm 0.10$  mm  
 Average thickness: 0.29 mm  
 Resistance at 20 °C: 100 M $\Omega$  /km min

**Wrap**

Material: cotton paper

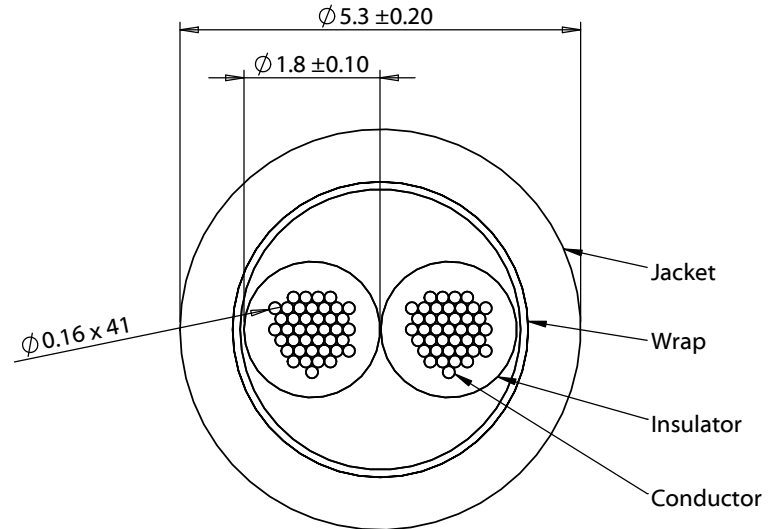
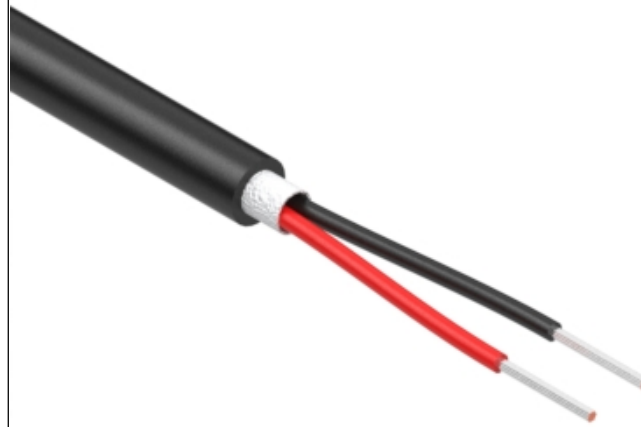
**Outer jacket**


Material: mPPE, 85A  
 Color: black  
 Diameter:  $\varnothing 5.3 \pm 0.20$  mm  
 Average thickness: 0.8 mm

**Wire marking:** E339579 UL AWM STYLE 21509 18 AWG 105°C  
 600V --- cUL AWM I A 105°C 600V FT2 TENSILITY

**Bend radius**

Minimum: 6 times diameter (31.8 mm)



Revision:	Date:	Description:	Prepared:	Notes:	<b>TENSILITY</b> tel 1.541.323.3228 800 877.670.7118 fax 1.541.323.4202 web tensility.com	
A	5/5/2021	Initial release	AW <small>Digitally signed by AW Date: 2021.05.06 12:33:30 -07'00'</small>			RoHS compliant
			Verified:	Phthalate and halogen free	Size:	
			JC <small>Digitally signed by JC Date: 2021.05.11 12:03:17 -07'00'</small>	Description:	A	
			Dimensions are in millimeters. Tolerances: X: $\pm 0.5$ mm X.X: $\pm 0.3$ mm X.XX: $\pm 0.05$ mm	Wire, 2C TS, 18 AWG, 21509, 600V, 105C, 5.3 mm, FT2, mPPE	Part number: <b>30-01974</b>	
					Scale: 10:1	
						Sheet 1 of 1

4

4

3

2

1