



### Electrical specifications

**Center Frequency:** 713 MHz  
**Bandwidth:** 6 MHz  
**Input / Output Impedance:** 50 Ohms  
**Passband:** 710-716 MHz  
**Passband Insertion Loss:** 2.5 dB max @ Fo  
**Passband Ripple:** <0.2 dB  
**Passband Return Loss:** 14 dB min  
**Attenuation 700KHz from band edges:** 40 dB  
**Power Handling:** 50 Watts  
**Weather sealing:** Outdoor - IP66

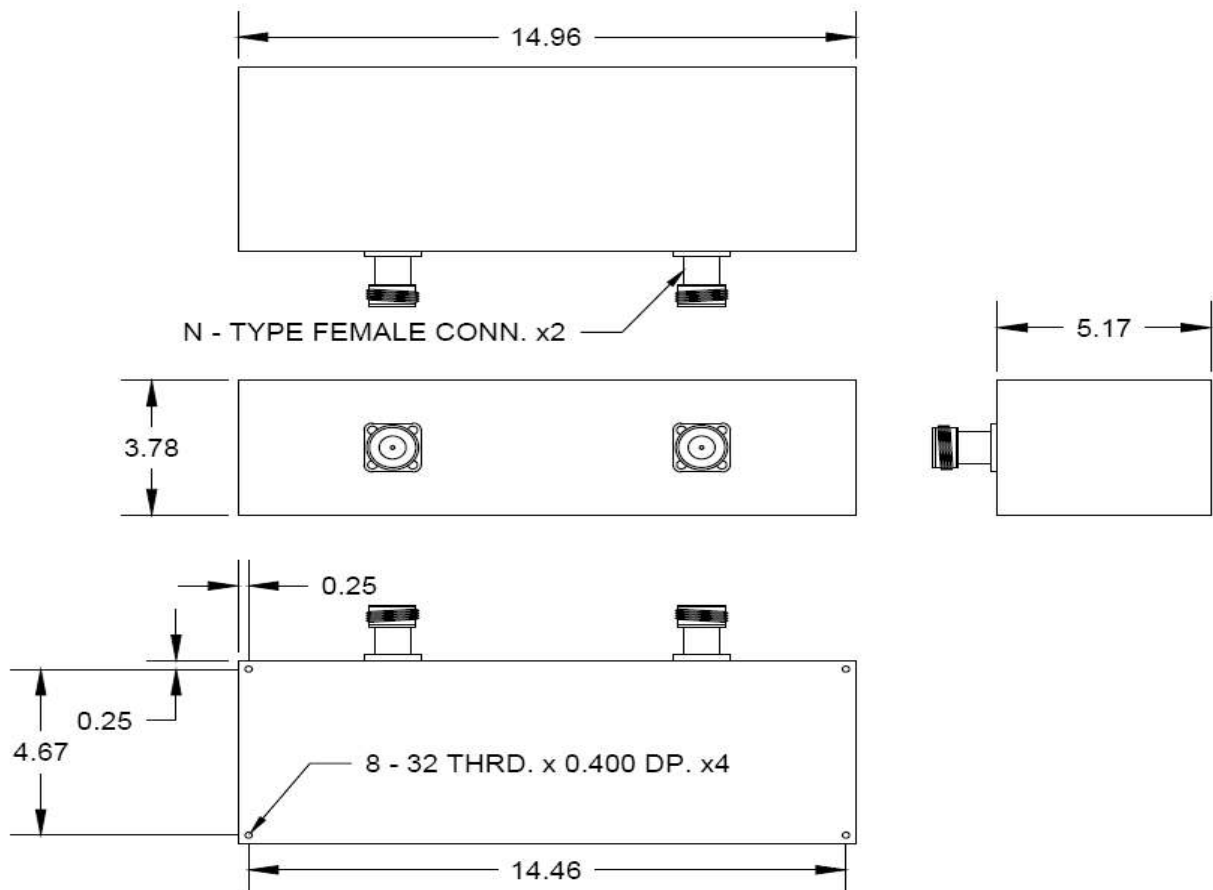
### Mechanical

**Mounting Method:** Threaded Mounting Holes  
**Connector Type:** N Type Female  
**Dimensions:** 14.96 x 5.17 x 3.78 in.

### Environmental

**Operating Temperature:** -40 to +75 C  
**Storage Temperature:** -55 to +95 C  
**Shock:** 20G. 11ms  
**Vibration:** 20 G. 5 to 200 MHz

### Outline Drawing:





**ANATECH ELECTRONICS INC**  
RF & Microwave Filters & Products

# 710-716 MHz Cavity Bandpass Filter

Part Number: AB713B948



## Response Plot:

