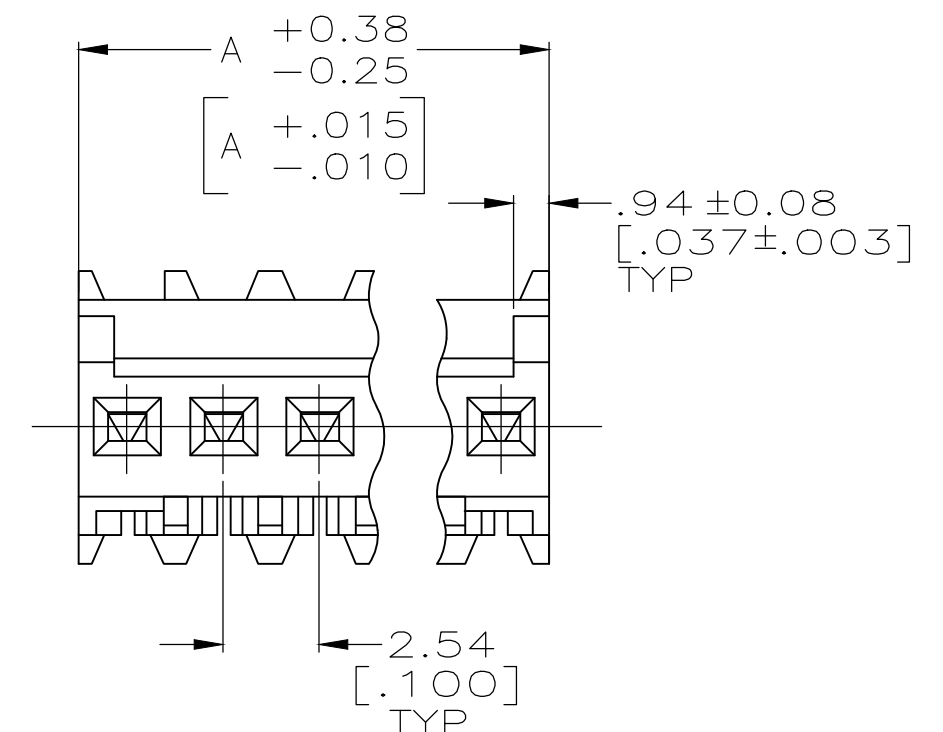
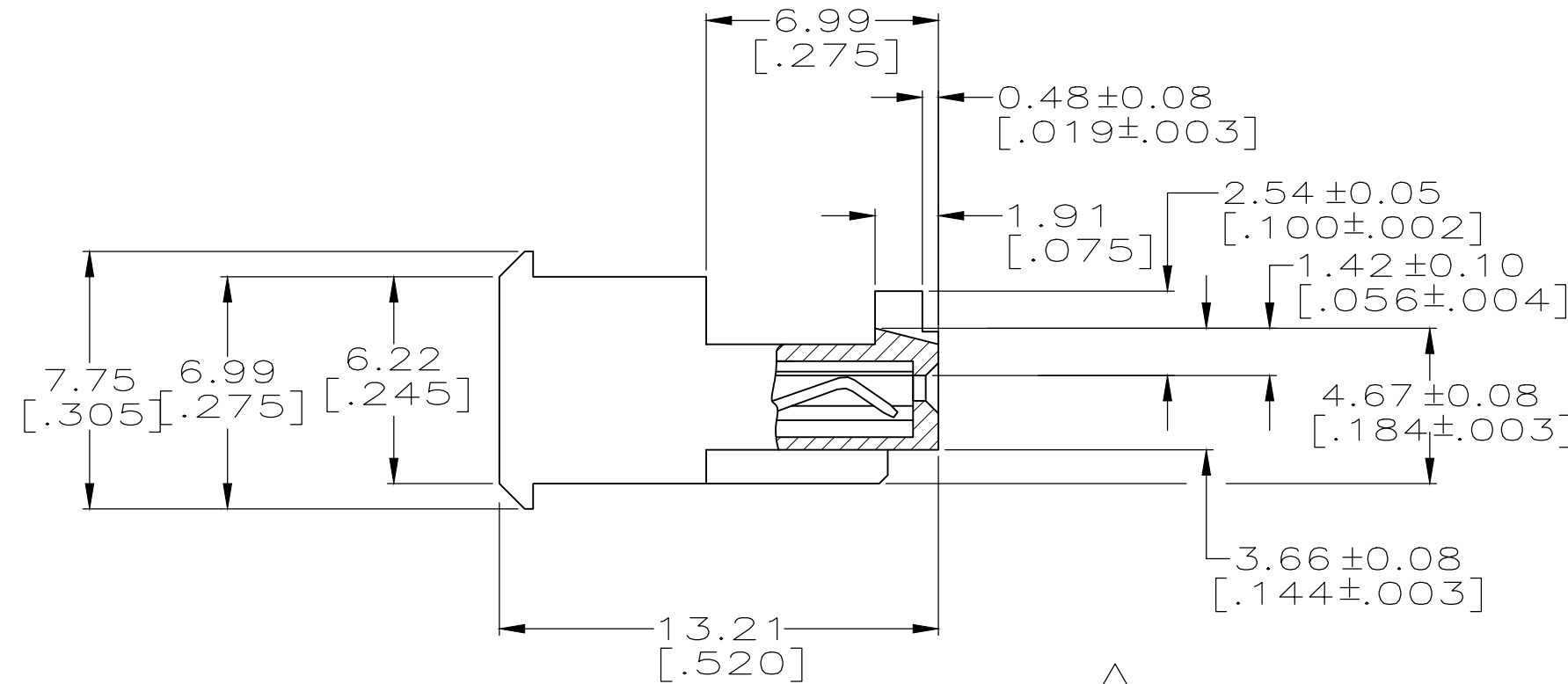
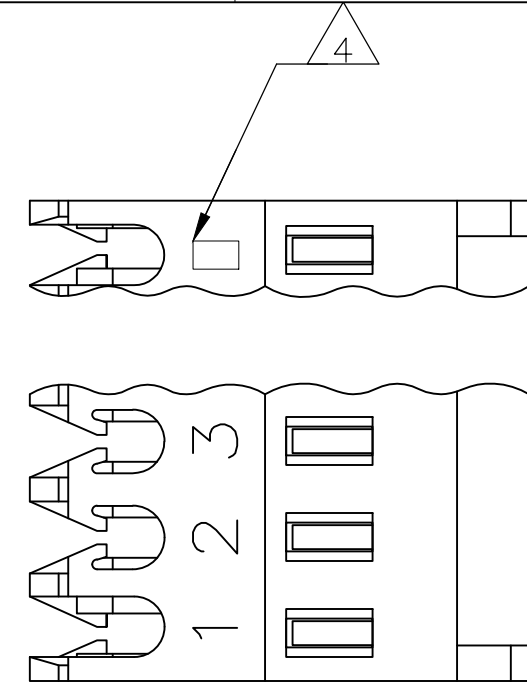


THIS DRAWING IS UNPUBLISHED. RELEASED FOR PUBLICATION
 © COPYRIGHT - By - TE CONNECTIVITY ALL RIGHTS RESERVED.

LOC		DIST		REVISIONS			
P	LTR	DESCRIPTION		DATE	DWN	APVD	
D		REVISED PER ECR-20-000727		22MAY2020	PC	SW	



YES	38.10[1.500]	15	4-644565-5
YES	35.56[1.400]	14	4-644565-4
YES	33.02[1.300]	13	4-644565-3
YES	30.48[1.200]	12	4-644565-2
YES	27.94[1.100]	11	4-644565-1
YES	25.40[1.000]	10	4-644565-0
YES	22.86[.900]	9	3-644565-9
YES	20.32[.800]	8	3-644565-8
YES	17.78[.700]	7	3-644565-7
YES	15.24[.600]	6	3-644565-6
YES	12.70[.500]	5	3-644565-5
YES	10.16[.400]	4	3-644565-4
YES	7.62[.300]	3	3-644565-3
YES	5.08[.200]	2	3-644565-2

NO	38.10[1.500]	15	1-644565-5
NO	35.56[1.400]	14	1-644565-4
NO	33.02[1.300]	13	1-644565-3
NO	30.48[1.200]	12	1-644565-2
NO	27.94[1.100]	11	1-644565-1
NO	25.40[1.000]	10	1-644565-0
NO	22.86[.900]	9	-644565-9
NO	20.32[.800]	8	-644565-8
NO	17.78[.700]	7	-644565-7
NO	15.24[.600]	6	-644565-6
NO	12.70[.500]	5	-644565-5
NO	10.16[.400]	4	-644565-4
NO	7.62[.300]	3	-644565-3
NO	5.08[.200]	2	-644565-2

7 SUPERSEDED			
NO	38.10[1.500]	15	1-644565-5
NO	35.56[1.400]	14	1-644565-4
NO	33.02[1.300]	13	1-644565-3
NO	30.48[1.200]	12	1-644565-2
NO	27.94[1.100]	11	1-644565-1
NO	25.40[1.000]	10	1-644565-0
NO	22.86[.900]	9	-644565-9
NO	20.32[.800]	8	-644565-8
NO	17.78[.700]	7	-644565-7
NO	15.24[.600]	6	-644565-6
NO	12.70[.500]	5	-644565-5
NO	10.16[.400]	4	-644565-4
NO	7.62[.300]	3	-644565-3
NO	5.08[.200]	2	-644565-2
7 SUPERSEDED			
8 SUPERSEDED			
8 SUPERSEDED			
7 SUPERSEDED			
8 SUPERSEDED			
7 SUPERSEDED			

LEADFREE	DIM A	NO. OF CIRCUITS	PART NO.
NO	38.10[1.500]	15	1-644565-5
NO	35.56[1.400]	14	1-644565-4
NO	33.02[1.300]	13	1-644565-3
NO	30.48[1.200]	12	1-644565-2
NO	27.94[1.100]	11	1-644565-1
NO	25.40[1.000]	10	1-644565-0
NO	22.86[.900]	9	-644565-9
NO	20.32[.800]	8	-644565-8
NO	17.78[.700]	7	-644565-7
NO	15.24[.600]	6	-644565-6
NO	12.70[.500]	5	-644565-5
NO	10.16[.400]	4	-644565-4
NO	7.62[.300]	3	-644565-3
NO	5.08[.200]	2	-644565-2

- 1 MATERIAL: CONNECTOR - NYLON UL94V-2 (GREEN).
CONTACTS - 0.30[.012] THICK COPPER ALLOY BRIGHT TIN-LEAD .00203[.000080] MIN THICKNESS FOR 644565-2 THRU 2-644565-8.
MATTE WHISKER MITIGATED TIN .00203[.000080] MIN THICKNESS OVER NICKEL UNDERPLATE FOR 3-644565-2 THRU 4-644565-5.
- 2 CONTACTS ACCEPT 28 AWG WIRE WITH 1.52[.060] MAX INSULATION DIAMETER.
- 3 CONTACTS MUST ACCEPT 0.64±0.03[.025±.001] SQUARE POST AND REMAIN LOCKED IN POSITION.
- 4 IDENTIFICATION NUMBER FOR LAST CIRCUIT MAY NOT APPEAR ON ALL ASSEMBLIES.
- 5 DIMENSIONS IN BRACKETS ARE IN INCHES.
- 6 HOUSING FEATURES ARE: FEED THRU WITH LOCKING RAMP AND WITH POLARIZING TAB.
- 7 OBSOLETE PARTS: OBSOLETE CIS STREAMLINING PER D.RENAUD/D.SINISI
- 8 OBSOLETE PARTS

THIS DRAWING IS A CONTROLLED DOCUMENT.		DWN S. CARPENTER 08AUG2003	TE TE Connectivity	
DIMENSIONS: mm [INCHES]		CHK D. BOSSI 08AUG2003		
TOLERANCES UNLESS OTHERWISE SPECIFIED: 0 PLC ± 1 PLC ± 2 PLC ± 3 PLC ± 0.13 [.005] 4 PLC ± ANGLES ±		APVD D. BOSSI 08AUG2003	NAME MTA 100 CONNECTOR ASSEMBLY, 28 AWG, STANDARD	
MATERIAL 1		FINISH 1	PRODUCT SPEC 108-1050	SIZE A2
			APPLICATION SPEC 114-1019	CAGE CODE 00779
			WEIGHT	DRAWING NO C=644565
			CUSTOMER DRAWING	RESTRICTED TO -
			SCALE 5:1	SHEET 1 of 1
				REV D