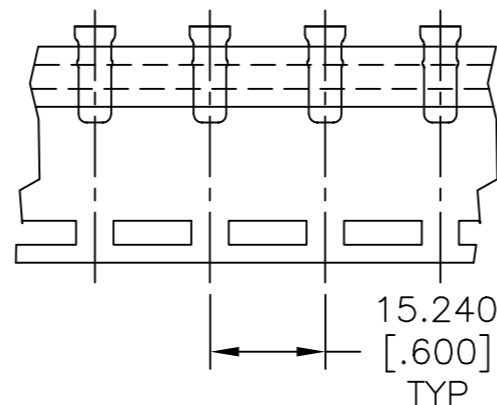
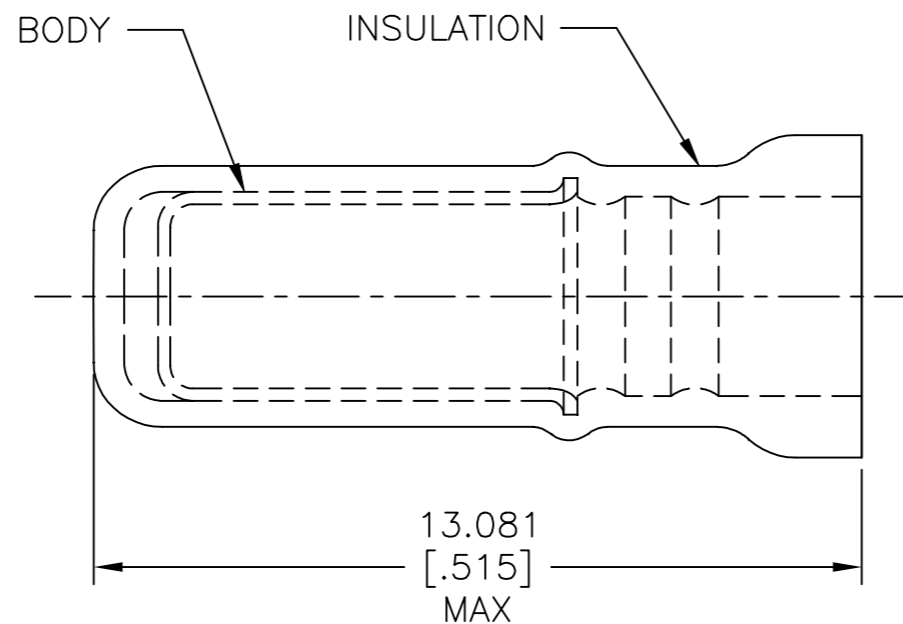


REVISIONS

P	LTR	DESCRIPTION	DATE	DWN	APVD
	N	REV/REDRAWN/0720-0482-95 & 0720-0002-95	14FEB95	LO	ME
	N1	REVISED PER ECO-17-006294	10OCT2017	RS	DR
	P	REVISED PER ECO-18-009069	27NOV2018	RS	DR



SPARE WIRE CAPS ON TAPE
(SCALE 1:1)

- 1 USE FOR AN UNSTRIPPED (SINGLE) WIRE END ONLY.
- 2 WIRE INSUL, $\phi 2.032-2.921[\phi .080-.115]$

3500	ON TAPE, REEL	2-324485-1
1000	LOOSE PIECE	324485
QTY	PACKAGE TYPE	PART NO

AMP INCORPORATED
CUSTOMER SERVICE SYSTEMS

THIS DRAWING IS A CONTROLLED DOCUMENT.

DWN	L OLMEDA	14FEB95
CHK	M ELLIS	14FEB95
APVD	T MICHIELUTTI	14FEB95
PRODUCT SPEC	-	
APPLICATION SPEC	114-2157	
WEIGHT	-	
CUSTOMER DRAWING		



NAME			SPARE WIRE CAP, RED .080-.115 INSULATION		
SIZE	CAGE CODE	DRAWING NO	RESTRICTED TO		
A3	00779	©-324485	-		
SCALE		8:1	SHEET		1 of 1
REV		P			

FOR ADDITIONAL PRODUCT INFORMATION OR COPIES OF DRAWINGS AND TECHNICAL DOCUMENTS	PRODUCT INFORMATION CENTER 1-800-522-6752	MAX RECOMMENDED OPERATING TEMPERATURE: 105°C [221°F] MAX
FOR APPLICATION TOOLING INFORMATION	TOOLING ASSISTANCE CENTER 1-800-722-1111	
FOR ORDER ENTRY	1-800-526-5142	WIRE CROSS SECTIONAL AREA RANGE, 0.26-1.65mm²[509-3,260] CIR MILS SOLID OR STRANDED

DIMENSIONS: mm [INCHES]	TOLERANCES UNLESS OTHERWISE SPECIFIED:
	0 PLC ± -
	1 PLC ± -
	2 PLC ± 0.203[.008]
	3 PLC ± -
	4 PLC ± -
	ANGLES ± -
MATERIAL	FINISH
BODY, CU PER ASTM B152 INSUL, NYLON, COLOR, RED	BODY, TIN PLATE PER ASTM B545