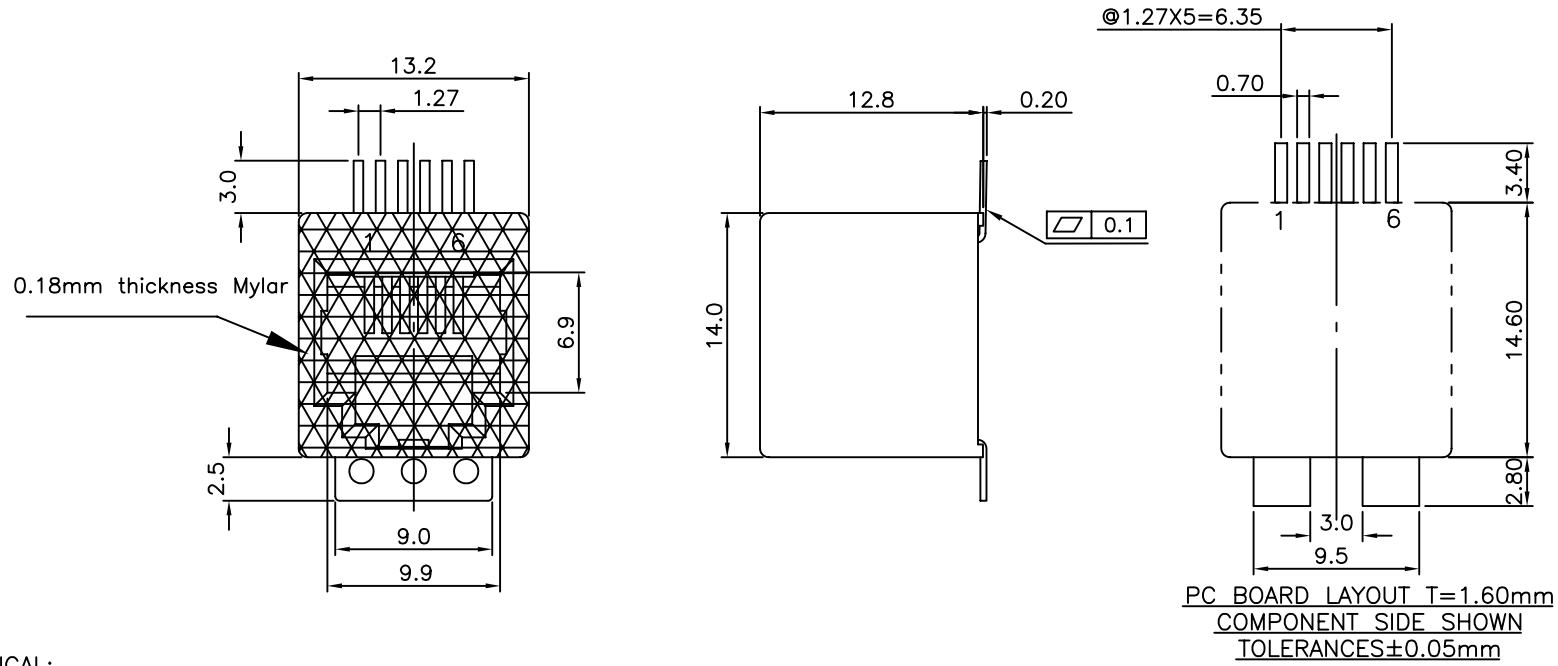


REVISION RECORD		
REV	DESCRIPTION	DRFT



NOTES:

ELECTRICAL:

- VOLTAGE RATING : 125 VAC RMS.
- CURRENT RATING : 1.5 AMP.
- CONTACT RESISTANCE : 40 MILLIOHMS MAX.
- INSULATION RESISTANCE: 1000 MEGOHMS MIN @ 500 VDC.
- DIELECTRIC STRENGTH : 1000 VDC RMS 60Hz, 1MIN.

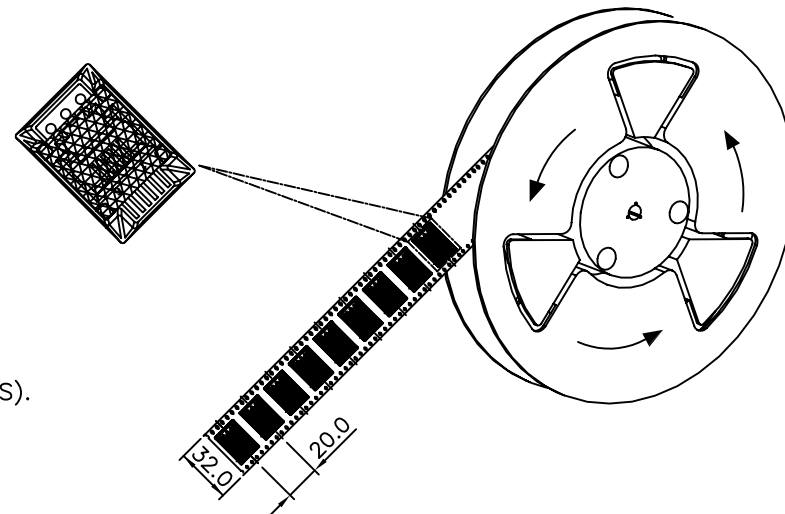
MECHANICAL:

- HOUSING MATERIAL : GLASS FIBER FILLED NYLON. UL94V-0\BLACK.
- CONTACT MATERIAL : PHOSPHOR BRONZE t=0.35mm.
- PLATING : GOLD PLATING OVER NICKEL.
- OPERATING LIFE : 750 CYCLES MIN.
- PCB RETENTION POST-SOLDER: 10 LBS MIN.

ENVIRONMENTAL:

- STORAGE : -40°C TO $+85^{\circ}\text{C}$.
- OPERATION: -40°C TO $+85^{\circ}\text{C}$.
- IR REFLOW SOLDERING TEMPERATURE: 255°C TO 265°C (5~10 SECONDS).
- RoHS COMPLIANT.

MATES WITH MODULAR PLUG CONFORMING TO
FCC PART 68, SUBPART F.
CUL FILE NO: E163191



E5266-001-01-L	6u"
PART NO.	Au PLATING

MM (INCH)		RoHS Compliant		Pulse Electronics	
TOLERANCES EXCEPT AS NOTED					
MM				TITLE	
.0 \pm 0.25	\pm	TOP ENTRY SMD (13.2x14.0) 6u"			
.00 \pm 0.20	\pm	DFTO : ELLA		DRAWING NO. CE5266-001-01-L	
.000 \pm 0.10	\pm	DATE : 07/31/2013		/PART NO. E5266-001-01-L	
ANGLES \pm 1'		SCALE : 1:1		DO NOT SCALE DRAWING	
THIRD ANGLE PROJECTION		SHEET 1 OF 1		SIZE A3	REV 01