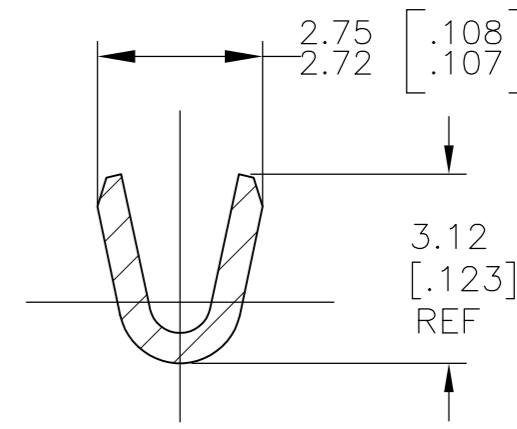
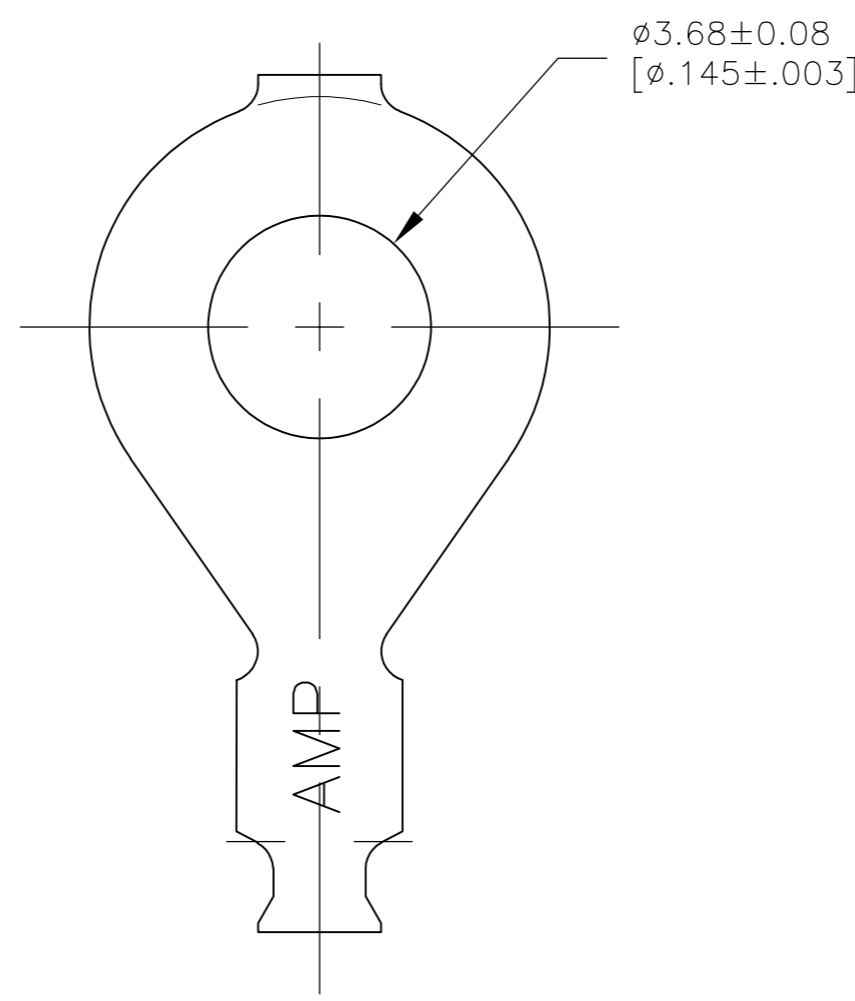
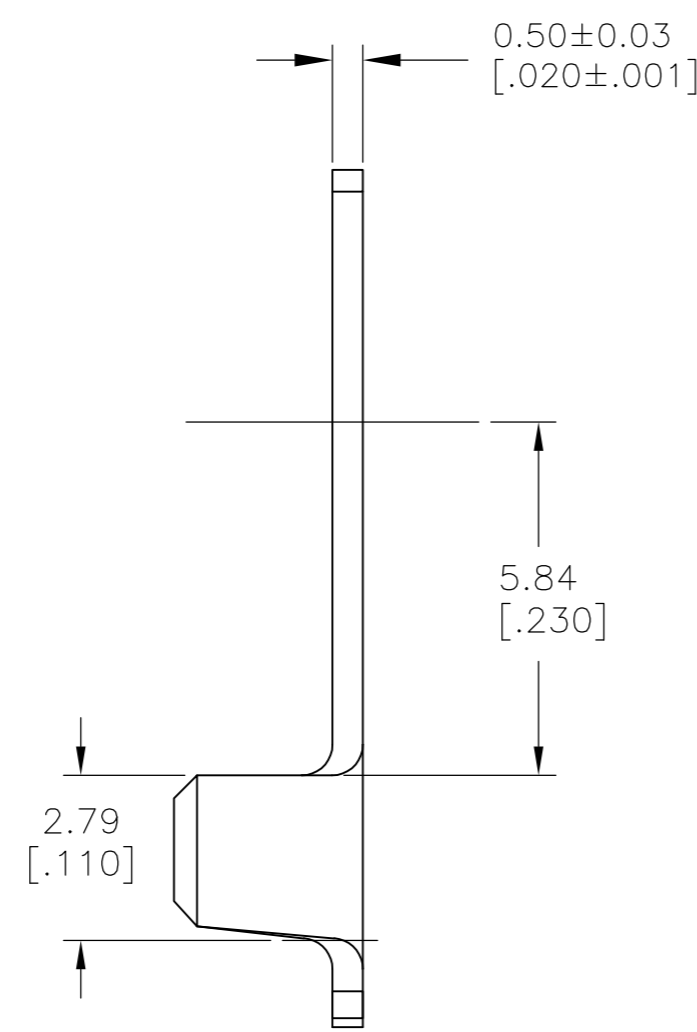
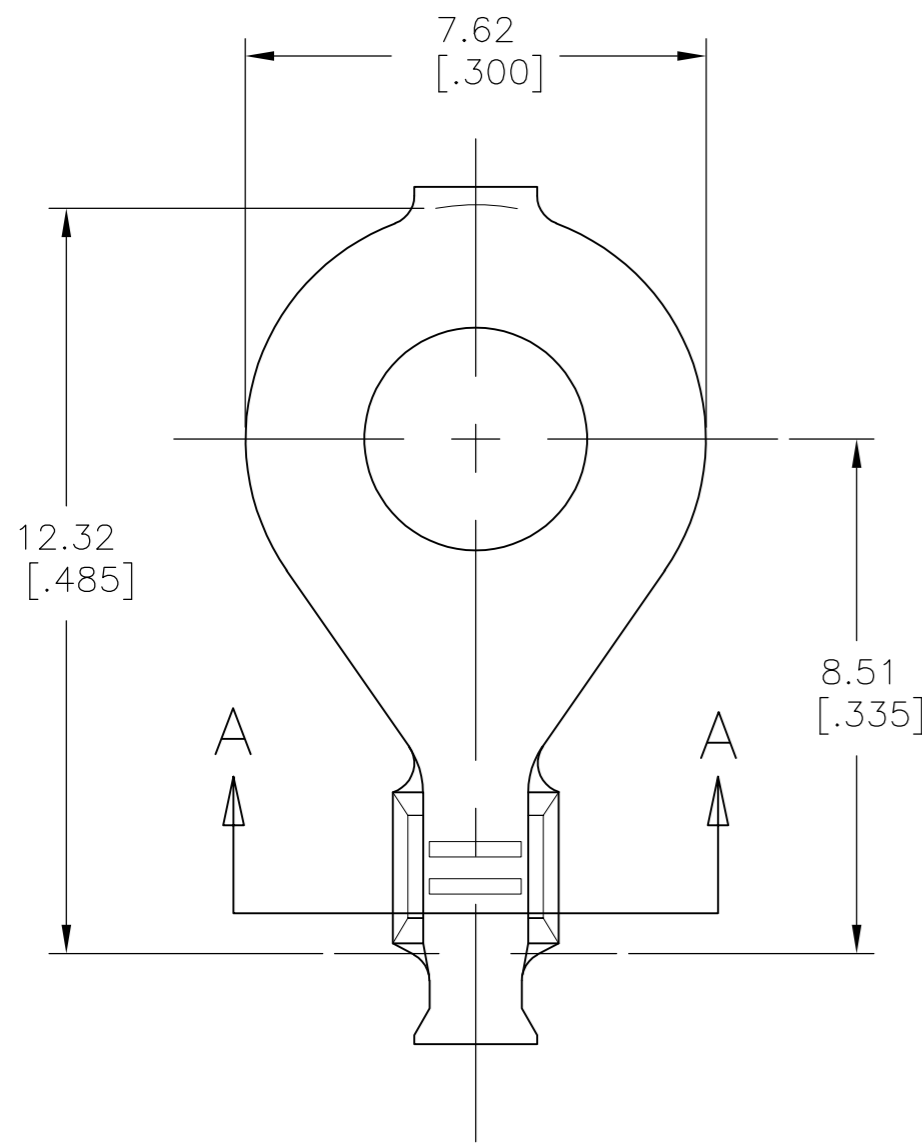


THIS DRAWING IS UNPUBLISHED. RELEASED FOR PUBLICATION  
 © COPYRIGHT BY TYCO ELECTRONICS CORPORATION. ALL INTERNATIONAL RIGHTS RESERVED.

LOC	DIST	REVISIONS			
P	LTR	DESCRIPTION	DATE	DWN	APVD
AF	50	D4	REVISED PER ECR-10-015031	29JUL10	HMR PD

- 1 CONTINUOUS STRIP ON REELS.
- 2 WIRE RANGE: 0.3-0.9mm<sup>2</sup> [#22-#18] AWG.



SECTION A-A

	TIN PLATE	62686-2
OBSOLETE	NONE	62686-1
	FINISH	PART NUMBER

THIS DRAWING IS A CONTROLLED DOCUMENT.		DWN 23OCT2007 MICHAEL S. FEHER	Tyco Electronics Corporation Harrisburg, PA 17105-3608	
DIMENSIONS: mm [INCHES]		CHK 23OCT2007 DONALD F. DECKER	NAME TERMINAL, RING NUMBER 6 STUD SIZE M3.5 METRIC	
TOLERANCES UNLESS OTHERWISE SPECIFIED: 0 PLC ± - 1 PLC ± - 2 PLC ± - 3 PLC ± 0.38 [.015] 4 PLC ± - ANGLES ± 1°		APVD 23OCT2007 DONALD F. DECKER	SIZE CAGE CODE DRAWING NO RESTRICTED TO A2 00779 C=62686 -	
MATERIAL 082 BRASS	FINISH SEE TABLE	WEIGHT -	SCALE 8:1	SHEET 1 of 1
CUSTOMER DRAWING		REV D4		

62686