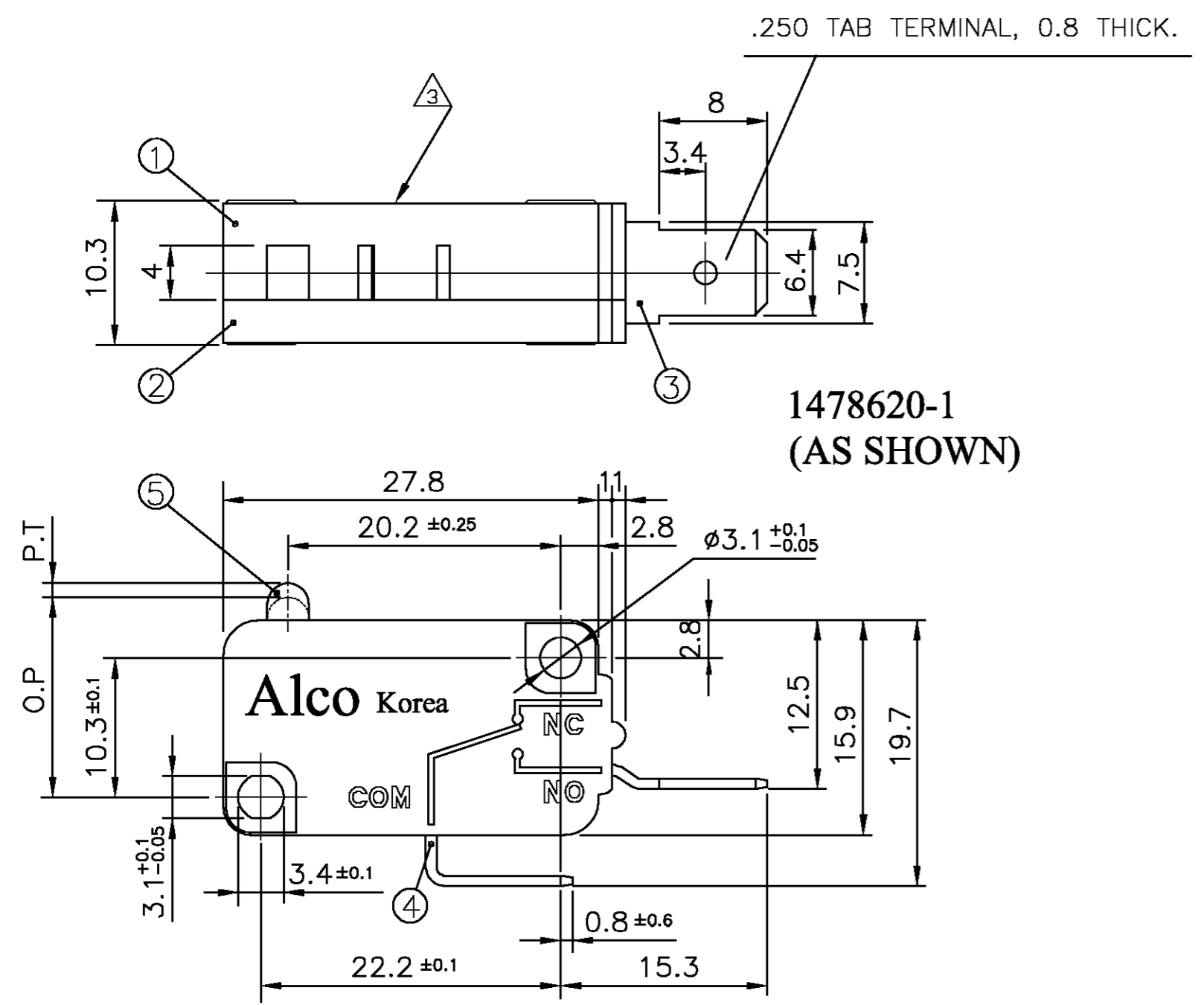


THIS DRAWING IS UNPUBLISHED. RELEASED FOR PUBLICATION
 © COPYRIGHT 2001 BY TYCO ELECTRONICS CORPORATION. ALL RIGHTS RESERVED.

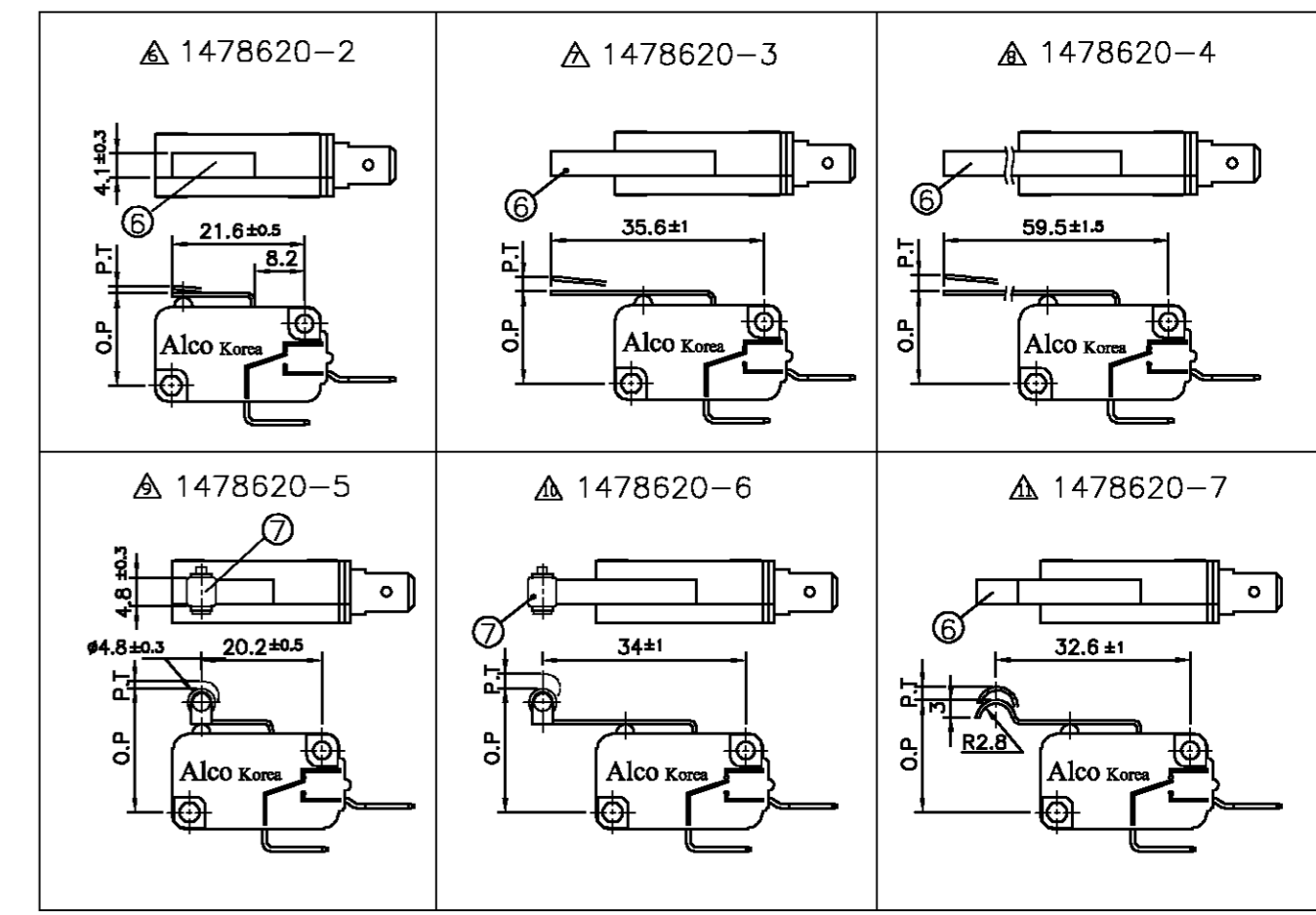
LOC	DIST	REVISIONS					
		P	LTR	DESCRIPTION	DATE	DWN	APVD
E	B		E	EBD0-0129-03	05-06-03	SS	JA
			D	EB00-0025-03	04-02-03	PB	JA
			C	EB00-0308-02	23-09-02	SS	JA

SPECIFICATION DATA

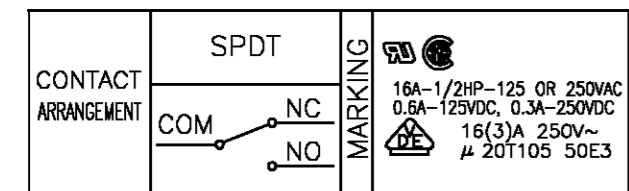
		Minature Range		
		16	5	0.1
Amp Rating				
Insulation Resistance		Min. 100M ohm		
Contact Resistance		Max 15 M ohm		Max 50 M ohm
Dielectric Strength	Between Non-consecutive terminals	AC 2,000V		
	Between Non-consecutive terminals	AC 2,000V		
Operating Speed		0.2mm/sec - 1,000mm/sec		1mm/sec - 500mm/sec
Max allowed Mechanical Open/Close Frequencies		600 Cycles/min		300 Cycles/min
Shock Resistance (Without Lever)		300mm/sec sq (approx 30G)		
Vibration Resistance (Without Lever)		1.5mm 10-55 Hz (2Hr)		1.5mm 10 - 20Hz (2 Hr)
Electrical Life		100,000 Operations at Rated Load (Max 20 Operations/min)		1,000,000 Operations
Mechanical Life		10,000,000 Operations (Max 200 operations/min)		
Safety Approval		UL / CSA / VDE		
Operating Temperature Range		-20 deg C to 130 deg C RH85% Max		-30 deg C to 130 deg C RH90% Max
UL File No.		E60363		
CSA File No		218582		
VDE File No.		40006898		40006698



1478620-1
(AS SHOWN)



NOTES:
 1 FOR TECHNICAL DATA REFER TO YOUR LOCAL TYCO ELECTRONICS SALES OFFICE.
 2 ALL DIMENSIONS ARE NOMINAL. FOR REFERENCE ONLY UNLESS OTHERWISE STATED.
 3 ALL DIMENSIONS ARE COMMON TO THE MAIN BODY. VARIATIONS ARE IN THE OPERATING LEVERS.
 4 TYCO PART NUMBER AND LOT No. INKJET MARKED IN THIS AREA.
 5 GENERAL INFO.



6 FOR PACKAGING INFORMATION SEE SPEC. 107-115

DRAWING NO	△	CHARACTERISTICS						
		Operating Force	Releasing Force	Pre Travel	Operating Position	Over Travel	Movement Differential	
1	1478620-1	Max 300g	Min 70g	Max 1.6 mym	14.8 ± 0.4 mym	Min 0.8 mym	Max 0.4 mym	
2	1478620-2	330g	70g	1.6 mym	15.4 ± 0.4 mym	0.8 mym	0.4 mym	
3	1478620-3	180g	30g	4.0 mym	15.4 ± 1.4 mym	1.3 mym	1.2 mym	
4	1478620-4	90g	15g	7.5 mym	15.4 ± 3.0 mym	2.6 mym	2.4 mym	
5	1478620-5	350g	70g	1.6 mym	20.7 ± 0.8 mym	0.8 mym	0.4 mym	
6	1478620-6	180g	30g	4.0 mym	20.7 ± 1.6 mym	1.3 mym	1.2 mym	
7	1478620-7	180g	30g	4.0 mym	18.6 ± 1.5 mym	1.3 mym	1.2 mym	

7	ROLLER	(1)
6	LEVER	(1)
5	BUTTON	1
4	COMMON TERMINAL	1
3	TERMINAL	1
2	COVER	1
1	BOX	1
NO	PART NAME	Q'TY

MP16-NO-CSMF	△ 1478620-7	Microswitch, Simu Lever	Blue	1000	CARTON
MP16-NO-CNRF	△ 1478620-6	Microswitch, Norm Roller	Blue	800	CARTON
MP16-NO-CSRK	△ 1478620-5	Microswitch, Short Roller	Blue	1000	CARTON
MP16-NO-CLLC	△ 1478620-4	Microswitch, Long Lever	Blue	600	CARTON
MP16-NO-CNLF	△ 1478620-3	Microswitch, Norm Lever	Blue	800	CARTON
MP16-NO-CSLJ	△ 1478620-2	Microswitch, Short Lever	Blue	1000	CARTON
MP16-NO-COLI	1478620-1	Microswitch, Pin Plunger	Blue	1000	CARTON

TYCO SALES PART No.	TYCO PART NO.	DESCRIPTION	COLOUR	QTY	PACK DESC
THIS DRAWING IS A CONTROLLED DOCUMENT.					
DIMENSIONS: MM		TOLERANCES UNLESS OTHERWISE SPECIFIED:		MATERIAL	
0 PLC ± -		1 PLC ± 0.4		FINISH	
2 PLC ± 0.4		3 PLC ± -		WEIGHT	
4 PLC ± -		ANGLES ± -		SCALE	
MATERIAL		FINISH		WEIGHT	

04FEB2003	DWN P.Bates	17-10-01	CHK C.Kaminski
17-10-01	APVD C.Kaminski	17-10-01	APVD C.Kaminski
PRODUCT SPEC	APPLICATION SPEC	SIZE A2	CAGE CODE 00779
NAME	TYCO Electronics Corporation	DRAWING NO	RESTRICTED TO
	Stanmore, Middlesex, HA7 4RS	C=1478620	
	MICRO SWITCH 16A	SCALE 1:1	
	TAB TERMINAL	SHEET 1 OF 2	
	300g RANGE	REV E	


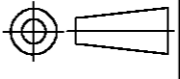
THIS DRAWING IS UNPUBLISHED. RELEASED FOR PUBLICATION
 © COPYRIGHT 2001 BY TYCO ELECTRONICS CORPORATION. ALL RIGHTS RESERVED.

LOC		DIST		REVISIONS			
P	LTR	DESCRIPTION	DATE	DWN	APVD		
E	B	EBD0-0129-03	05-06-03	SS	JA		

MAJOR COMPONENT & MATERIAL LIST

NO	PART NAME	MATERIAL	Q'ty	UL FRAME	FINISH (COLOR)
1	CASE	P.B.T RESIN	1	94 V-0	
2	COVER		1		
3	MOVABLE CONTACTOR	Brass Sheet t=0.4	1		SILVER PLATING
4	GUIDE PLATE	Brass Sheet t=0.8	1		SILVER PLATING
5	COMMON TERMINAL	Brass Sheet t=0.8	1		SILVER PLATING
6	PLATE SPRING	Beryllium Copper Sheet (t=0.1~ 0.25)	1		
7	TERMINAL AID	Brass Sheet (t=0.8)	1		
8	CONTACT	Ag alloy (AgCdO, AgSnO2)	2		
9	TERMINAL	Brass Sheet (t=0.8)	1		SILVER PLATING
10	ACTUATOR	PHENOLIC RESIN	1	94 V-0	
11	LEVER	Stainless Steel Sheet (t=0.6)	(1)		

() = Where Applicable

THIS DRAWING IS A CONTROLLED DOCUMENT.		DWN S.Shackson 05JUN2003	 Tyco Electronics Corporation Stanmore, Middlesex, HA7 4RS	
DIMENSIONS: MM		CHK F.Wheeler-King 05JUN2003		
		APVD F.Wheeler-King 05JUN2003	NAME MICRO SWITCH 16A TAB TERMINAL 300g RANGE	
TOLERANCES UNLESS OTHERWISE SPECIFIED:		PRODUCT SPEC	SIZE A2	
0 PLC ± -		APPLICATION SPEC	CAGE CODE 00779	
1 PLC ± -		WEIGHT	DRAWING NO C=1478620	
2 PLC ± -		FINISH	RESTRICTED TO	
3 PLC ± -			SCALE 1:1	
4 PLC ± -			SHEET 2 OF 2	
ANGLES ± -			REV E	
MATERIAL			CUSTOMER DRAWING	