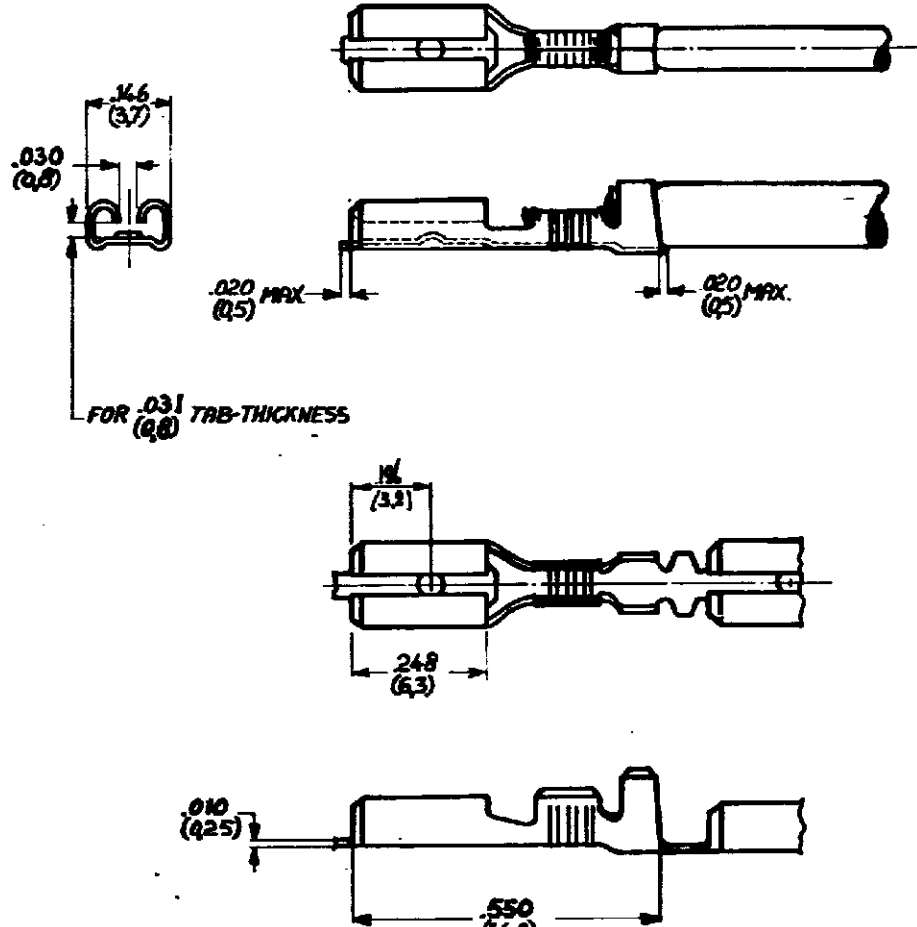


NUMBER C-160.772

DRAWING MADE IN AMERICAN PROJECTION

REV.	DESCRIPTION	DATE	DRAWN	APVD
B2	REVISED PER ECO-11-005140	31MAR11	RK	HMR
B3	REVISED PER ECR-20-009690	21OCT2020	MK	EW
B4	REVISED PER ECR-22-142152	27JUN2022	VA	EW



1 FOR USE ON MINIATURE AND STANDARD APPLICATORS

2 FOR USE ON MINIATURE APPLICATORS (IMP-B-MATOR APPLICATION)

3 REELED WITH PAPER LAYER.

4 OBSOLETE PARTS: OBSOLETE CIS STREAMLINING PER D.RENAUD/D.SINISI

5 GENERAL TOLERANCE IS ±0.3mm

DIMENSIONS IN (IN) DO NOT SCALE PRINT

REV.	DESCRIPTION	DATE	BY	CHK
4	160772-4 BRASS			
3	160772-3 BRASS			
2	160772-2 BRASS			
1	160772-1 BRASS			

CUSTOMER COPY FOR REFERENCE ONLY

TE TE Connectivity

WIRE RANGE 26-22 AWG 0.18-0.25mm	INSUL. RANGE 050-080 DIA. (16-20)	FIRST USED
SCALE 4≈1	LOC H	SIZE A
NO C-160,772	REV B4	

DR A. BYNEN 1/9-77 DATE 2/16/77
 DATE 2-23-11-77

NAME 110 Ser FASTON RECEPTACLE