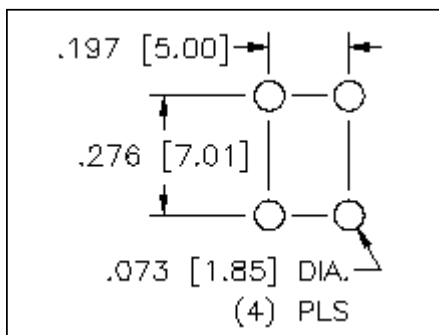
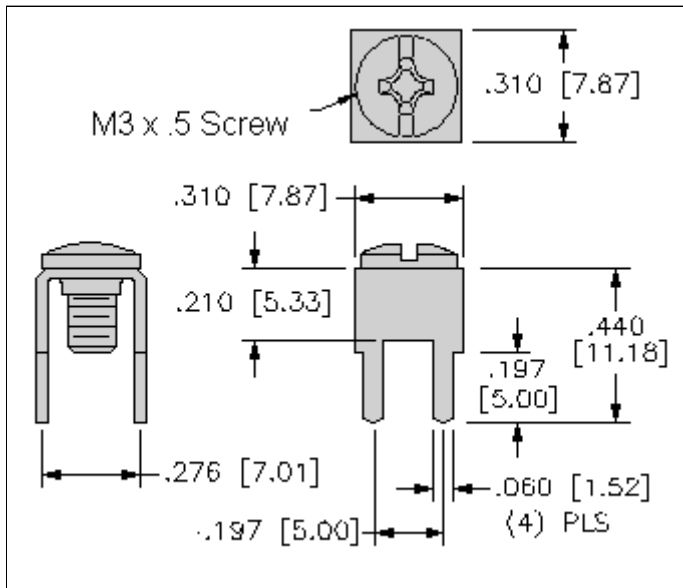




"Sturdi-Mount" Metric PCB Screw Terminals

M3 Threads

Vertical Mount Type



"Press In" PCB Mount Style		
Cat. No.	Screw Supplied	Screw Color
7770	Less Screw	None
7771	Unassembled	None
7771-2	Unassembled	Red
7771-3	Unassembled	Black
7771-4	Unassembled	White
7771-5	Unassembled	Blue
7771-6	Unassembled	Green
7771-7	Unassembled	Yellow
7772	Installed & Captivated	None
7772-2	Installed & Captivated	Red
7772-3	Installed & Captivated	Black
7772-4	Installed & Captivated	White
7772-5	Installed & Captivated	Blue
7772-6	Installed &	Green

	Captivated	
7772 -7	Installed & Captivated	Yellow

Specifications

Rated:

15
Amps

Terminal:

.032
[0.81mm]
Thick

Brass,
Tin
Plate

Screw:

Combination
Binding
Head

-
Brass,
Nickel
Plate

Head
of
screw
is
painted
with
color
as
indicated
in
chart.

[Click to Request Samples](#)



© 2011 Keystone Electronics Corp. | 31-07 20th Road | Astoria, NY 11105 | 718-956-8900 | 800-221-5510 | 718-956-9040
fax | www.keyelco.com