



Pin & Sleeve

**Heavy duty
Industrial Wiring Devices**

PDI[®]
Power Dynamics, Inc.

Watertight and splashproof IEC

> PIN AND SLEEVE DEVICES



> VERSIONS

	Plugs and connectors
	Appliance inlets
	Receptacle
	Accessories Back Box and closure caps

> TECHNICAL CHARACTERISTICS FOR BACK BOX

Protection degree (IEC 60529):	IP66/IP67
Operating temperature:	-25°C +40°C
Max. operating temperature:	+70°C
Self-extinguishing (IEC 60695-2-1):	GW test 850°C
Self-extinguishing (UL94):	V2 (3,2mm)
Material:	Polyamide 6
IK degree at 20°C (EN 50102):	IK10 (20J)

> REFERENCE STANDARDS

IEC 60309-1

Plugs, socket-outlets and couplers for industrial purposes.
Part 1: general requirements.

IEC 60309-2

Plugs, socket-outlets and couplers for industrial purposes
Part 2: dimensional interchangeability requirements for pin and contact-tube accessories of harmonised configurations.

UL 1682

Plugs, receptacles and cable connectors of the pin and sleeve type.

UL 1686

Standard for pin and sleeve configuration.

> QUALITY MARKS

UL LISTED:



UL CLASSIFIED:



For specific quality marks please contact our technical service.

> TECHNICAL CHARACTERISTICS FOR PIN & SLEEVE

Rated current:	16A - 32A - 63A - 125A (SERIES I) 20A - 30A - 60A - 100A (SERIES II)
Rated voltage:	100÷690V~
Frequency:	D.C. - 50÷500Hz
Insulating voltage:	500/690V~
Protection degree (IEC 60529):	IP44 - IP67
Operating temperature according to the reference standard:	-25°C + 40°C
Max. operating temperature:	+70°C
Self-extinguishing (IEC 60695-2-1):	GW test 650°C / 850°C
Self-extinguishing (UL94):	V1 (3mm)
Material:	VALOX®
IK degree at 20°C (EN 50102):	IK10 (20J)

> BEHAVIOUR WITH CHEMICAL AND ATMOSPHERIC AGENTS

Saline solution	Acids		Bases		Solvents				Mineral oil	UV rays
	Concentrated	Diluted	Concentrated	Diluted	Hexane	Benzol	Acetone	Alcohol		
Resistant	Limited Resistance	Resistant	Limited Resistance	Resistant	Not Resistant	Not Resistant	Not Resistant	Limited Resistance	Resistant	Resistant

For specific substances please contact our technical service.

> WIRING AND INSTALLATION

Cross-section of connectable conductors (awg/mm²)

Rated current		Plugs, connectors and appliance inlets				Receptacle			
Series I	Series II	Min awg	mm ²	Max awg	mm ²	Min awg	mm ²	Max awg	mm ²
16A	20A	16	1	12	2,5	16	1,5	12	4
32A	30A	14	2,5	10	6	14	2,5	8	10
63A	60A	10	6	6	16	10	6	4	25
125A	100A	6	16	2	50	4	25	0	70

Cord grip range

(Plugs and connectors)

Rated current		Outside Ø mm			
Series I	Series II	Min awg	mm ²	Max awg	mm ²
16A	20A	,570	14	,710	18
32A	30A	,675	17	,910	23
63A	60A	,937	24	1,375	35
125A	100A	1,265	32	1,790	45

> APPLICATION EXAMPLES



> PERFORMANCE - ELECTRICAL (SERIES I)

Dielectric Voltage Withstand:	3000 Volts for 1 minute per IEC 60309-1, Clause 19
Maximum Working Voltage:	690VAC/250 VDC (minimum creepage and clearances per IEC)
Current Interrupting/ Load Breaking:	Tested to 125% rated current at 110% rated voltage per IEC309-1 clause 20
Temperature Rise:	Maximum 50°C rise at rated current per IEC309-1 Clause 22, Table 8
Endurance with Load:	16 Amp: 5000 cycles; Load only
Per IEC 60309-1 Clause 21:	32 Amp: 1000 cycles - Alternating load 63 Amp: 1000 cycles - Alternating load 125 Amp: 250 cycles - Alternating load

> PERFORMANCE - ELECTRICAL (SERIES II)

Dielectric Voltage Withstand:	3000 Volts for 1 minute (fixed devices) 2200 Volts for 1 minute (portable devices)
Maximum Working Voltage:	600VAC/250 VDC (minimum creepage and clearances per UL 840)
Current Interrupting/ Load Breaking:	Tested to 150% of full rated current for circuit interrupting
Temperature Rise:	Maximum 30°C rise at full rated current after 50 cycles overload at 150% rated load at 0.75-pf
Horsepower Ratings:	Per Nec 430-151b reference for non-interrupting ratings
Endurance with Load:	20 Amp: 5000 cycles; Load only
Per IEC 60309-1 Clause 21:	30 Amp: 1000 cycles - Alternating load 60 Amp: 1000 cycles - Alternating load 100 Amp: 250 cycles - Alternating load

> MATERIALS FOR PIN & SLEEVE (SERIES I & II)

Housing:	Valox®
Contact Carriers:	Valox®
Cable Gland Nut:	Valox®
Cable Bushing:	Solid neoprene, onion ring type
O-Ring, Seals & Gaskets:	Solid neoprene
Pins & Sleeves:	Nickel plated brass
Sleeve Force Ring:	Zinc plated steel
Terminal Screws:	Nickel plated steel
Flap/Screw Cover Springs:	Stainless steel
SNAP-ON Spring:	Stainless steel
Mounting Flanges:	Valox®

> PERFORMANCE - MECHANICAL (SERIES I)

Cold (-25°C) Impact Resistance:	Per IEC 60309-1 Clause 24; (-25°C) with 75cm drop
Cable O.D. Accommodation:	Round portable service cords from 14.5mm O.D. through 50mm O.D.
Terminal Identification:	In accordance with IEC 60309-1 standards; as L1-L2-L3-N-G
Cable Pull-Out Force:	In accordance with IEC 60309-1, Clause 23

> PERFORMANCE - MECHANICAL (SERIES II)

Cold (-25°C) Impact Resistance:	Per UL 1682 Section 34 and IEC 60309-1 Clause 24
Cable O.D. Accommodation:	Round portable service cord from 0.57" O.D. through 1.79" O.D.
Terminal Identification:	In accordance with UL 1682 standards and IEC 60390-1: as L1-L2-L3-N-G
Cable Pull-Out Force:	Per UL 1682 Section 33 and IEC 60309-1 Clause 23

> PERFORMANCE - ENVIRONMENTAL (SERIES I & II)

Corrosion Resistance:	All metallic components stainless steel or nickel plated brass Sleeve pressure rings of zinc plated steel
-----------------------	--

> MATERIALS FOR BACK BOX (SERIES I & II)

Housing:	Polyamide 6
Gasket:	Solid neoprene
Screws:	Stainless steel
Grounding plate:	2 inch plated steel

Standard Interface / World Ready

Full International Compliances

EN 60309

UL Classification to IEC 60309-1 and IEC 60309-2.

cULus Listing: UL 1682/1686 and CSA C22.2

No. 182.1.

CE conforms to EC Low Voltage Directive.

North American and Global Voltage

Polarization "clock positions" available in all standard ratings.

Solid, Safe Voltage Selections

One-Piece contact carriers with Full-Color IEC

standard voltage-phasing Coding ensures

correct product application every time.

> WATERTIGHT - IP67



IP67

Watertight design and construction meet stringent IP67 internal protection standards.

Rugged thermoplastic housings resist impact or abuse and provide excellent corrosion resistance.

Unique cable strain relief grip and sealing system assure superior cable retention and watertight conductor termination. Ideal for outdoor, wet marine and washdown applications. Unique 75% faster assembly with Snap-on handle locking, and cable grip system.

> SPLASHPROOF - IP44



IP44

Suitable for indoor use where splashing liquids and other contaminants may interfere with electrical connections. Ideal for most heavy commercial applications and light industrial applications.

Available 16A, 20A, 30A and 32A Amp ratings.



No Tools, No Screws Necessary

Snap-on locking handle saves 75% on assembly time.

Unique Snap-on assembly feature on 16A, 20A, 30A and 32A Amp plugs and connectors makes installation and inspection fast and reliable.

Captive gaskets in handles seal out water, chemicals and dust.



Easy Action Single-Wiring Point Access Saves Time Wiring

All terminal screws face in same direction allowing installer to make safe and secure conductor terminations in 30% less time than other devices. Rugged, corrosion free thermoplastic housings are colour-coded for safe reliable connections to all other mating type /polarizations, with raised earth terminal standard.

Simple Cable Clamping

Threaded cable gland on 16/32A and 20/30A devices makes assembly fast and easy.

One-piece lock screw verifies clamp locking hold, with no external metal contact possible (16/32A and 20/30A devices).



Unique and Quick

One-piece cable gland with locking screw loads to cable followed by cable grip 6-Finger cable clamp/grip piece. Watertight onion ring bushing fits a wide variety of outside diameters.



Watertight and cable Grip Safety

Grip cable flexible 6-Finger clamp teeth holds well beyond all agency test pull-out forces.

No internal clamps required. Available in all amperages.



The Performance Connection

Watertight spring-loaded covers with high-strength flex-hinge screw covers on IP67 devices.

Flap covers on IP44 splashproof styles. Safety, performance and durability for all EN 60309 applications worldwide.



> WATERTIGHT - IP67

Safe Connections Standard

- Heart contacts make first, break last for safe connections even under load



The Easy Way

- Snap-on locking feature on all 16/32A and 20/30A plugs and connectors

Screw Collars Stay Put

- Turreted grip allows for easy handling

75% Faster Cable builds

- Nylon lock screw System
- One-piece cable gland
- Nylon locking screw prevents loosening
- Hand assembly of cable gland, cable grip
- 6 Finger clamp and onion-ring bushing



Combination Flap/Screw Cover

- Integral neoprene gasket for IP67 (Watertight protection)
- Unique flex hinge design

Neoprene Cable Bushing

- Onion ring design
- Universal fit capability

Solid Neoprene Gasket In Handle

Cable grip 6-Finger Clamp

- Provides superior cable retention

Secure Grip Handle

- Tapered shoulder (16/32A and 20/30A)
- Ribbed (60/100A and 63/125A)

Fast and Easy Wiring

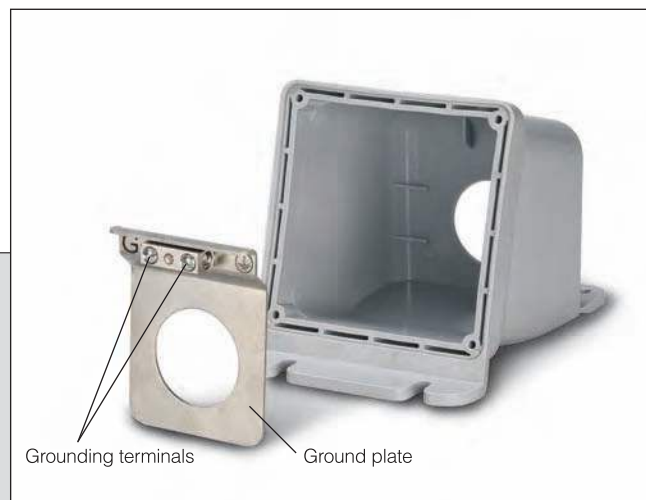
- Unique, one-way terminal access
- Clearly marked terminal connections

Safe Connections Standard

- Earth contacts make first, break last for safe connections even under load

Double Secure Wiring

- Dual, combination point terminal screw for failsafe connections



Grounding terminals

Ground plate

Industrial plugs and sockets >50V

> WATERTIGHT AND SPLASHPROOF PIN AND SLEEVE DEVICES IP67 AND IP44 - 20A

UL LISTED



UL CLASSIFIED



20A - WATERTIGHT - IP67

Poles & Wires	Configuration			Voltage/ Colour Coding	Plug	Connector	Cable O.D. Range Inches	Receptacle	Inlet
	Receptacle/ Connector	Plug/ Inlet	Clock position						
2P 3W			4h	125	320P4W	320C4W	.57-.71	320R4W	320B4W
2P 3W			6h	250	320P6W	320C6W	.57-.71	320R6W	320B6W
2P 3W			5h	277	320P5W	320C5W	.57-.71	320R5W	320B5W
2P 3W			7h	480	320P7W	320C7W	.57-.71	320R7W	320B7W
3P 4W			12h	125/250	420P12W	420C12W	.57-.71	420R12W	420B12W
3P 4W			9h	3Ø250	420P9W	420C9W	.57-.71	420R9W	420B9W
3P 4W			7h	3Ø480	420P7W	420C7W	.57-.71	420R7W	420B7W
3P 4W			5h	3Ø600	420P5W	420C5W	.57-.71	420R5W	420B5W
4P 5W			9h	3ØY120/208	520P9W	520C9W	.57-.71	520R9W	520B9W
4P 5W			7h	3ØY277/480	520P7W	520C7W	.57-.71	520R7W	520B7W
4P 5W			5h	3ØY347/600	520P5W	520C5W	.57-.71	520R5W	520B5W

20A - SPLASHPROOF - IP44

2P 3W			4h	125	320P4S	320C4S	.57-.71	320R4S	320B4S
2P 3W			6h	250	320P6S	320C6S	.57-.71	320R6S	320B6S
2P 3W			5h	277	320P5S	320C5S	.57-.71	320R5S	320B5S
3P 4W			12h	125/250	420P12S	420C12S	.57-.71	420R12S	420B12S
3P 4W			9h	3ph.250	420P9S	420C9S	.57-.71	420R9S	420B9S
4P 5W*			9h	3ph.120/208	520P9S	520C9S	.57-.71	520R9S	520B9S

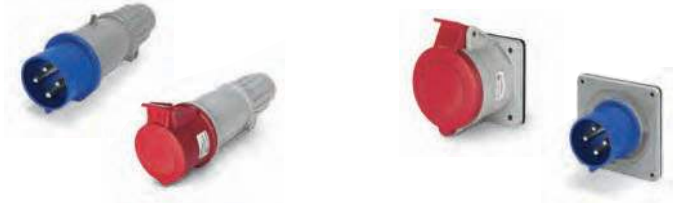
Contact us for our complete line of internationally rated IEC60309 plugs and receptacles.

> WATERTIGHT AND SPLASHPROOF PIN AND SLEEVE DEVICES IP67 AND IP44 - 30A

UL LISTED



UL CLASSIFIED



30A - WATERTIGHT - IP67

Poles & Wires	Configuration			Voltage/ Colour Coding	Plug	Connector	Cable O.D. Range Inches	Receptacle	Inlet
	Receptacle/ Connector	Plug/ Inlet	Clock position						
2P 3W			4h	125	330P4W	330C4W	.675-.91	330R4W	330B4W
2P 3W			6h	250	330P6W	330C6W	.675-.91	330R6W	330B6W
2P 3W			7h	480	330P7W	330C7W	.675-.91	330R7W	330B7W
3P 4W			12h	125/250	430P12W	430C12W	.675-.91	430R12W	430B12W
3P 4W			9h	3Ø250	430P9W	430C9W	.675-.91	430R9W	430B9W
3P 4W			7h	3Ø480	430P7W	430C7W	.675-.91	430R7W	430B7W
3P 4W			5h	3Ø600	430P5W	430C5W	.675-.91	430R5W	430B5W
4P 5W			9h	3ØY120/208	530P9W	530C9W	.675-.91	530R9W	530B9W
4P 5W			7h	3ØY277/480	530P7W	530C7W	.675-.91	530R7W	530B7W
4P 5W			5h	3ØY347/600	530P5W	530C5W	.675-.91	530R5W	530B5W

30A - SPLASHPROOF - IP44

2P 3W			4h	125	330P4S	330C4S	.675-.91	330R4S	330B4S
2P 3W			6h	250	330P6S	330C6S	.675-.91	330R6S	330B6S
2P 3W			5h	277	330P5S	330C5S	.675-.91	330R5S	330B5S
3P 4W			12h	125/250	430P12S	430C12S	.675-.91	430R12S	430B12S
3P 4W			9h	3ph.250	430P9S	430C9S	.675-.91	430R9S	430B9S
4P 5W			9h	3ph.120/208	530P9S	530C9S	.675-.91	530R9S	530B9S

Contact us for our complete line of internationally rated IEC60309 plugs and receptacles.

Industrial plugs and sockets >50V

> WATERTIGHT AND SPLASHPROOF PIN AND SLEEVE DEVICES IP67 - 60A

UL LISTED



UL CLASSIFIED



60A - WATERTIGHT - IP67

Poles & Wires	Configuration			Voltage/ Colour Coding	Plug	Connector	Cable O.D. Range Inches	Receptacle	Inlet
	Receptacle/ Connector	Plug/ Inlet	Clock position						
2P 3W			4h	125	360P4W	360C4W	.937-1.375	360R4W	360B4W
2P 3W			6h	250	360P6W	360C6W	.937-1.375	360R6W	360B6W
2P 3W			5h	277	360P5W	360C5W	.937-1.375	360R5W	360B5W
2P 3W			7h	480	360P7W	360C7W	.937-1.375	360R7W	360B7W
2P 3W			3h	250DC	360P3W	360C3W	.937-1.375	360R3W	360B3W
3P 4W			12h	125/250	460P12W	460C12W	.937-1.375	460R12W	460B12W
3P 4W			9h	3Ø250	460P9W	460C9W	.937-1.375	460R9W	460B9W
3P 4W			7h	3Ø480	460P7W	460C7W	.937-1.375	460R7W	460B7W
3P 4W			5h	3Ø600	460P5W	460C5W	.937-1.375	460R5W	460B5W
4P 5W			9h	3ØY120/208	560P9W	560C9W	.937-1.375	560R9W	560B9W
4P 5W			7h	3ØY277/480	560P7W	560C7W	.937-1.375	560R7W	560B7W
4P 5W			5h	3ØY347/600	560P5W	560C5W	.937-1.375	560R5W	560B5W

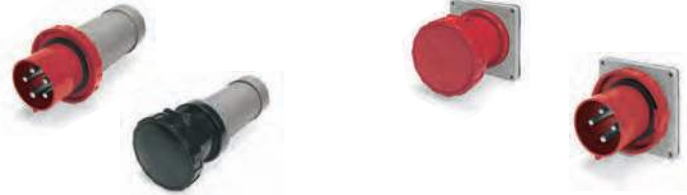
Contact us for our complete line of internationally rated IEC60309 plugs and receptacles.

> WATERTIGHT AND SPLASHPROOF PIN AND SLEEVE DEVICES IP67 - 100A

UL LISTED



UL CLASSIFIED



100A - WATERTIGHT - IP67

Poles & Wires	Configuration			Voltage/ Colour Coding	Plug	Connector	Cable O.D. Range Inches	Receptacle	Inlet
	Receptacle/ Connector	Plug/ Inlet	Clock position						
2P 3W			6h	250	3100P6W	*	1.2650-1.790	*	*
2P 3W			7h	480	*	*	1.2650-1.790	*	*
3P 4W			12h	125/250	4100P12W	4100C12W	1.2650-1.790	4100R12W	4100B12W
3P 4W			9h	3Ø250	4100P9W	4100C9W	1.2650-1.790	4100R9W	4100B9W
3P 4W			7h	3Ø480	4100P7W	4100C7W	1.2650-1.790	4100R7W	4100B7W
3P 4W			5h	3Ø600	4100P5W	4100C5W	1.2650-1.790	4100R5W	4100B5W
4P 5W			9h	3ØY120/208	5100P9W	5100C9W	1.2650-1.790	5100R9W	5100B9W
4P 5W			7h	3ØY277/480	5100P7W	5100C7W	1.2650-1.790	5100R7W	5100B7W
4P 5W			5h	3ØY347/600	5100P5W	5100C5W	1.2650-1.790	5100R5W	5100B5W

Contact us for our complete line of internationally rated IEC60309 plugs and receptacles.

Industrial plugs and sockets >50V

> INTERNATIONAL RATINGS

UL CLASSIFIED



16A IP67

Poles & Wires	Configuration			Voltage/ Colour Coding	Plug	Connector	Cable O.D. Range Inches	Receptacle	Inlet
	Receptacle/ Connector	Plug/ Inlet	Clock position						
2P 3W			4h	110V	316P4W	316C4W	.57-.71	316R4W	316B4W
2P 3W			6h	250V	316P6W	316C6W	.57-.71	316R6W	316B6W
3P 4W			6h	380-415V	416P6W	416C6W	.57-.71	416R6W	416B6W
4P 5W			6h	220-240/ 380-415V	516P6W	516C6W	.57-.71	516R6W	516B6W

32A IP67

2P 3W			4h	110V	332P4W	332C4W	.675-.91	332R4W	332B4W
2P 3W			6h	250V	332P6W	332C6W	.675-.91	332R6W	332B6W
3P 4W			6h	380-415V	432P6W	432C6W	.675-.91	432R6W	432B6W
4P 5W			6h	220-240/ 380-415V	532P6W	532C6W	.675-.91	532R6W	532B6W

16A IP44

2P 3W			4h	110V	316P4S	316C4S	.57-.71	316R4S	316B4S
2P 3W			6h	250V	316P6S	316C6S	.57-.71	316R6S	316B6S
3P 4W			6h	380-415V	416P6S	416C6S	.57-.71	416R6S	416B6S
4P 5W			6h	220-240/ 380-415V	516P6S	516C6S	.57-.71	516R6S	516B6S

32A IP44

2P 3W			4h	110V	332P4S	332C4S	.675-.91	332R4S	332B4S
2P 3W			6h	250V	332P6S	332C6S	.675-.91	332R6S	332B6S
3P 4W			6h	380-415V	432P6S	432C6S	.675-.91	432R6S	432B6S
3P 4W			3h	380-440V	Special Application - Contact Tech Support				
4P 5W			6h	220-240/ 380-415V	532P6S	532C6S	.675-.91	532R6S	532B6S

Contact us for our complete line of internationally rated IEC60309 plugs and receptacles.

> INTERNATIONAL RATINGS

UL CLASSIFIED



63A IP67

Poles & Wires	Configuration			Voltage/ Colour Coding	Plug	Connector	Cable O.D. Range Inches	Receptacle	Inlet
	Receptacle/ Connector	Plug/ Inlet	Clock position						
2P 3W			6h	250V	363P6W	363C6W	.937-1.375	363R6W	363B6W
3P 4W			6h	380-415V	463P6W	463C6W	.937-1.375	463R6W	463B6W
4P 5W			6h	220-240/ 380-415V	563P6W	563C6W	.937-1.375	563R6W	563B6W

125A IP67

2P 3W			6h	250V	3125P6W	3125C6W	1.265-1.790	3125R6W	3125B6W
3P 4W			6h	380-415V	4125P6W	4125C6W	1.265-1.790	4125R6W	4125B6W
4P 5W			6h	220-240/ 380-415V	5125P6W	5125C6W	1.265-1.790	5125R6W	5125B6W

Contact us for our complete line of internationally rated IEC60309 plugs and receptacles.

> BACK BOX



Description	HUB size (Inch)	Receptacle	Inlets	Cubic Inch capacity	Packaging	
Size 1 (small)	1	16/20A - 32/30A	-	30	1/10	BB01
Size 2 (medium)	1 ¼	63/60A	16/20A - 32/30A - 63/60A	75	1/10	BB02
Size 3 (large)	1 ½	125/100A	125/100A	120	1/5	BB03

Notes:

- Internal grounding plate provided
- HUB is not included

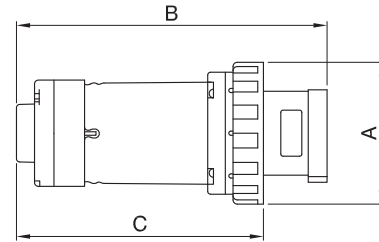
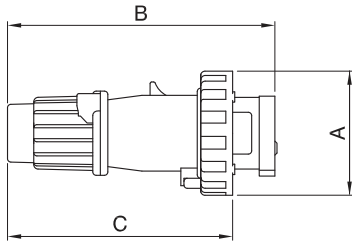
> CLOSURE CAPS



Description	Packaging	
16/20A - 2P+E	10/100	570.90163
16/20A - 3P+E	10/100	570.90164
16/20A - 3P+N+E	10/100	570.90165
32/30A - 2P+E & 3P+E	10/100	570.90324
32/30A - 3P+N+E	10/100	570.90325
63/60A - all polarity	1/10	570.9063
125/100A - all polarity	1/10	570.9125

Contact us for our complete line of internationally rated IEC60309 plugs and receptacles.

> DIMENSIONS

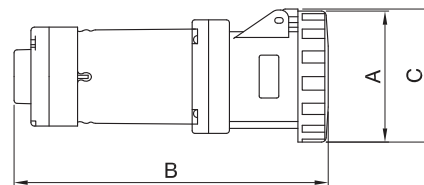
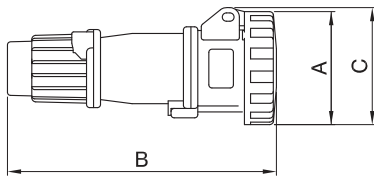


PLUG IP67 16/20A AND 30/32A

	A		B		C		Corp grip range	
	inches	mm	inches	mm	inches	mm	inches	mm
16/20A 2P3W	2,87	73	6,20	157	5,23	133	.570-.710	14-18
16/20A 3P4W	3,17	81	6,47	164	5,51	140	.570-.710	14-18
16/20A 4P5W	3,48	88	7,02	178	6,06	154	.570-.710	14-18
30/32A 2P3W	3,66	93	7,37	187	6,13	156	.675-.910	17-23
30/32A 3P4W	3,66	93	7,37	187	6,13	156	.675-.910	17-23
30/32A 4P5W	3,96	101	8,15	207	6,91	176	.675-.910	17-23

PLUG IP67 60/63A AND 100/125A

	A		B		C		Corp grip range	
	inches	mm	inches	mm	inches	mm	inches	mm
60/63A 2P3W	4,41	112	9,68	246	7,67	195	.937-1,375	24-35
60/63A 3P4W	4,41	112	9,68	246	7,67	195	.937-1,375	24-35
60/63A 4P5W	4,41	112	9,68	246	7,67	195	.937-1,375	24-35
100/125A 3P4W	5,06	129	12,16	309	9,83	250	1,265-1,790	32-45
100/125A 4P5W	5,06	129	12,16	309	9,83	250	1,265-1,790	32-45



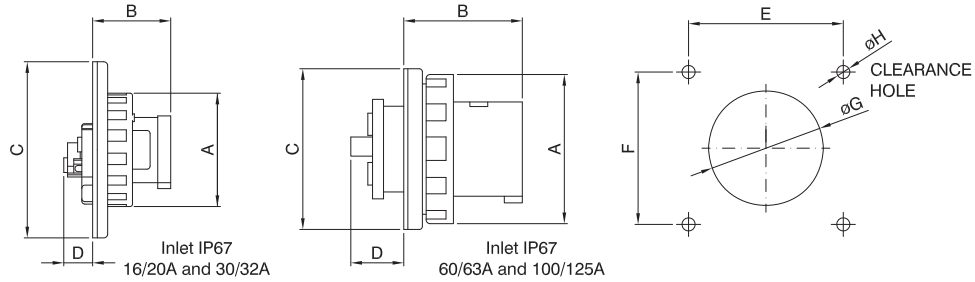
CONNECTOR IP67 16/20A AND 30/32A

	A		B		C		Corp grip range	
	inches	mm	inches	mm	inches	mm	inches	mm
16/20A 2P3W	2,87	73	6,75	171	2,97	75	.570-.710	14-18
16/20A 3P4W	3,17	81	7,04	179	3,28	83	.570-.710	14-18
16/20A 4P5W	3,48	88	7,62	194	3,75	95	.570-.710	14-18
30/32A 2P3W	3,66	93	8,04	204	4,04	103	.675-.910	17-23
30/32A 3P4W	3,66	93	8,04	204	4,04	103	.675-.910	17-23
30/32A 4P5W	3,96	101	8,83	224	4,03	102	.675-.910	17-23

CONNECTOR IP67 60/63A AND 100/125A

	A		B		C		Corp grip range	
	inches	mm	inches	mm	inches	mm	inches	mm
60/63A 2P3W	4,41	112	10,52	267	4,47	114	.937-1,375	24-35
60/63A 3P4W	4,41	112	10,52	267	4,47	114	.937-1,375	24-35
60/63A 4P5W	4,41	112	10,52	267	4,47	114	.937-1,375	24-35
100/125A 3P4W	5,06	129	12,80	325	5,06	129	1,265-1,790	32-45
100/125A 4P5W	5,06	129	12,80	325	5,06	129	1,265-1,790	32-45

> DIMENSIONS

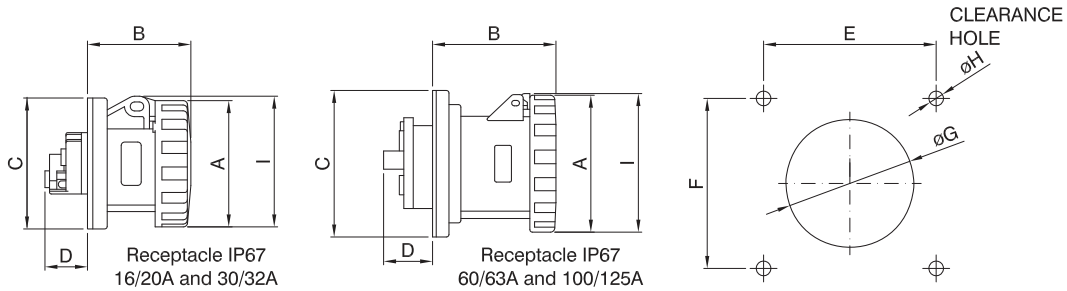


INLET IP67 16/20A AND 30/32A

	A		B		C		D		E		F		G		H	
	inches	mm	inches	mm	inches	mm	inches	mm	inches	mm	inches	mm	inches	mm	inches	mm
16/20A 2P3W	2,87	73	1,96	50	4,50	114	,75	19	3,87	98	3,87	98	2,38	60	,282	7,2
16/20A 3P4W	3,17	81	1,96	50	4,50	114	,75	19	3,87	98	3,87	98	2,38	60	,282	7,2
16/20A 4P5W	3,48	88	1,96	50	4,50	114	,75	19	3,87	98	3,87	98	2,38	60	,282	7,2
30/32A 2P3W	3,66	93	2,32	59	4,50	114	1,32	34	3,87	98	3,87	98	2,38	60	,282	7,2
30/32A 3P4W	3,66	93	2,32	59	4,50	114	1,32	34	3,87	98	3,87	98	2,38	60	,282	7,2
30/32A 4P5W	3,96	101	2,32	59	4,50	114	1,32	34	3,87	98	3,87	98	2,38	60	,282	7,2

INLET IP67 60/63A AND 100/125A

	A		B		C		D		E		F		G		H	
	inches	mm	inches	mm	inches	mm	inches	mm	inches	mm	inches	mm	inches	mm	inches	mm
60/63A 2P3W	4,41	112	3,44	87	4,50	114	1,68	43	3,87	98	3,87	98	3,25	83	,282	7,2
60/63A 3P4W	4,41	112	3,44	87	4,50	114	1,68	43	3,87	98	3,87	98	3,25	83	,282	7,2
60/63A 4P5W	4,41	112	3,44	87	4,50	114	1,68	43	3,87	98	3,87	98	3,25	83	,282	7,2
100/125A 3P4W	5,06	129	3,88	99	5,50	140	1,94	49	4,87	124	4,87	124	3,75	95	,282	7,2
100/125A 4P5W	5,06	129	3,88	99	5,50	140	1,94	49	4,87	124	4,87	124	3,75	95	,282	7,2



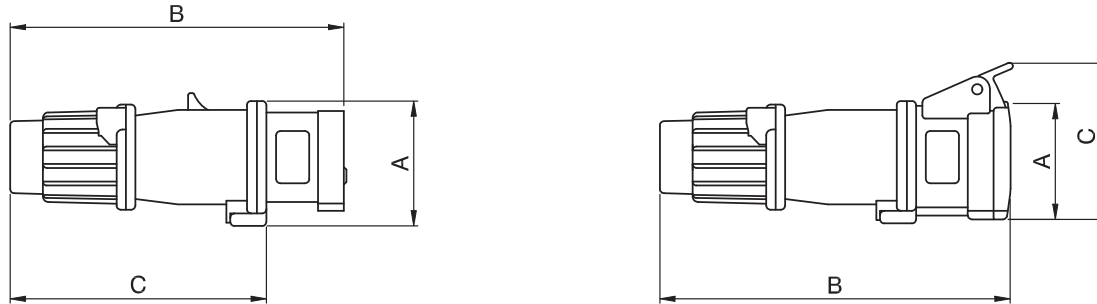
RECEPTACLE IP67 16/20A AND 30/32A

	A		B		C		D		E		F		G		H		I	
	inches	mm	inches	mm	inches	mm	inches	mm	inches	mm	inches	mm	inches	mm	inches	mm	inches	mm
16/20A 2P3W	2,87	73	2,32	59	2,97	,76	,94	24	2,36	60	2,36	60	2,38	60	,219	5,5	2,97	75
16/20A 3P4W	3,17	81	2,34	60	2,97	,76	,94	24	2,36	60	2,36	60	2,38	60	,219	5,5	3,28	83
16/20A 4P5W	3,48	88	2,37	60	2,97	,76	,94	24	2,36	60	2,36	60	2,38	60	,219	5,5	3,75	95
30/32A 2P3W	3,66	93	2,79	71	2,97	,76	1,52	39	2,36	60	2,36	60	2,38	60	,219	5,5	4,04	103
30/32A 3P4W	3,66	93	2,79	71	2,97	,76	1,52	39	2,36	60	2,36	60	2,38	60	,219	5,5	4,04	103
30/32A 4P5W	3,96	101	2,81	71	2,97	,76	1,52	39	2,36	60	2,36	60	2,38	60	,219	5,5	4,03	102

RECEPTACLE IP67 60/63A AND 100/125A

	A		B		C		D		E		F		G		H		I	
	inches	mm	inches	mm	inches	mm	inches	mm	inches	mm	inches	mm	inches	mm	inches	mm	inches	mm
60/63A 2P3W	4,41	112	4,16	106	4,50	114	1,68	43	3,87	98	3,87	98	3,25	83	,282	7,2	4,47	114
60/63A 3P4W	4,41	112	4,16	106	4,50	114	1,68	43	3,87	98	3,87	98	3,25	83	,282	7,2	4,47	114
60/63A 4P5W	4,41	112	4,16	106	4,50	114	1,68	43	3,87	98	3,87	98	3,25	83	,282	7,2	4,47	114
100/125A 3P4W	5,06	129	4,52	115	5,50	140	1,94	49	4,87	124	4,87	124	3,75	95	,282	7,2	5,06	129
100/125A 4P5W	5,06	129	4,52	115	5,50	140	1,94	49	4,87	124	4,87	124	3,75	95	,282	7,2	5,06	129

> DIMENSIONS

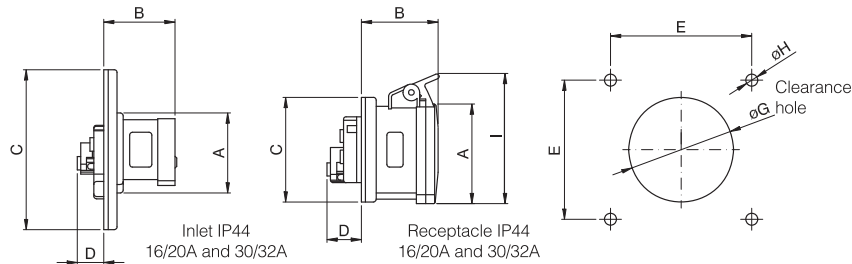


PLUG IP44

	A		B		C		Corp Grip Range	
	inches	mm	inches	mm	inches	mm	inches	mm
16/20A 2P3W	2,26	58	6,20	157	4,76	121	,570-.710	14-18
16/20A 3P4W	2,52	64	6,47	164	5,04	128	,570-.710	14-18
16/20A 4P5W	2,85	73	7,02	178	5,58	142	,570-.710	14-18
30/32A 2P3W	2,85	73	7,37	187	5,58	142	,675-.910	17-23
30/32A 3P4W	2,85	73	7,37	187	5,58	142	,675-.910	17-23
30/32A 4P5W	3,13	80	8,15	207	6,36	162	,675-.910	17-23

PLUG IP44

	A		B		C		Corp Grip Range	
	inches	mm	inches	mm	inches	mm	inches	mm
16/20A 2P3W	2,18	55	6,53	166	3,07	73	,570-.710	14-18
16/20A 3P4W	2,43	62	6,83	173	3,33	80	,570-.710	14-18
16/20A 4P5W	2,81	71	7,41	188	3,79	91	,570-.710	14-18
30/32A 2P3W	2,81	71	7,81	198	3,79	91	,675-.910	17-23
30/32A 3P4W	2,81	71	7,81	188	3,79	91	,675-.910	17-23
30/32A 4P5W	3,09	79	8,62	219	4,17	101	,675-.910	17-23



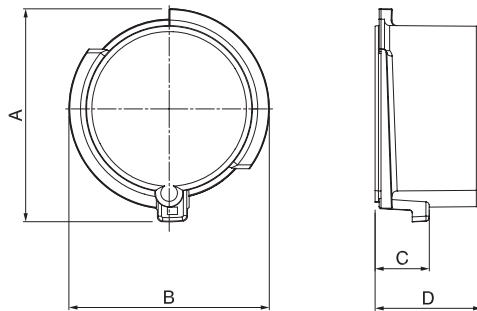
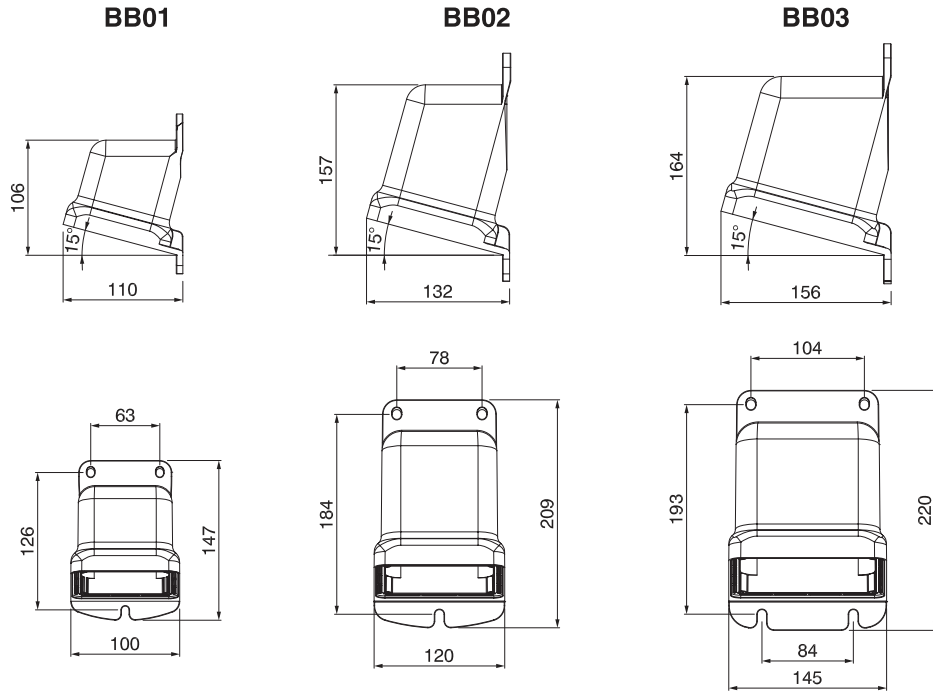
INLET IP44

	A		B		C		D		E		F		G		H	
	inches	mm	inches	mm	inches	mm	inches	mm	inches	mm	inches	mm	inches	mm	inches	mm
16/20A 2P3W	2,26	58	1,96	50	4,50	114	,75	19	3,87	98	3,87	98	2,38	60	,282	7,2
16/20A 3P4W	2,52	64	1,96	50	4,50	114	,75	19	3,87	98	3,87	98	2,38	60	,282	7,2
16/20A 4P5W	2,85	73	1,96	50	4,50	114	,75	19	3,87	98	3,87	98	2,38	60	,282	7,2
30/32A 2P3W	2,85	73	2,32	59	4,50	114	1,32	34	3,87	98	3,87	98	2,38	60	,282	7,2
30/32A 3P4W	2,85	73	2,32	59	4,50	114	1,32	34	3,87	98	3,87	98	2,38	60	,282	7,2
30/32A 4P5W	3,13	80	2,32	59	4,50	114	1,32	34	3,87	98	3,87	98	2,38	60	,282	7,2

RECEPTACLE IP44

	A		B		C		D		E		F		G		H		I	
	inches	mm	inches	mm	inches	mm	inches	mm	inches	mm	inches	mm	inches	mm	inches	mm	inches	mm
16/20A 2P3W	2,18	55	2,11	54	2,97	76	0,94	24	2,36	60	2,36	60	2,38	60	,219	5,5	3,07	73
16/20A 3P4W	2,43	62	2,13	54	2,97	76	0,94	24	2,36	60	2,36	60	2,38	60	,219	5,5	3,33	80
16/20A 4P5W	2,81	71	2,17	55	2,97	76	0,94	24	2,36	60	2,36	60	2,38	60	,219	5,5	3,79	91
30/32A 2P3W	2,81	71	2,56	65	2,97	76	1,52	39	2,36	60	2,36	60	2,38	60	,219	5,5	3,79	91
30/32A 3P4W	2,81	71	2,56	65	2,97	76	1,52	39	2,36	60	2,36	60	2,38	60	,219	5,5	3,79	91
30/32A 4P5W	3,09	79	2,60	66	2,97	76	1,52	39	2,36	60	2,36	60	2,38	60	,219	5,5	4,17	101

> DIMENSIONS



	A	B	C	D
570.90163	64	60	20	40
570.90164	72	68	20	40
570.90165	81	76	20	40
570.90324	85	82	22	50
570.90325	93	89	22	50
570.9063	99	96	25	71
570.9125	113	109	25	79

(Dimensions in mm)

> LEGEND

UL LISTED



UL CLASSIFIED



20A - IP67

320P4W
320P6W
320P5W
320P7W
420P12W
420P9W
420P7W
420P5W
520P9W
520P7W
520P5W
320C4W
320C6W
320C5W
320C7W
420C12W
420C9W
420C7W
420C5W
520C9W
520C7W
520C5W
320R4W
320R6W
320R5W
320R7W
420R12W
420R9W
420R7W
420R5W
520R9W
520R7W
520R5W

20A - IP44

320P4S
320P6S
320P5S
420P12S
420P9S
520P9S
320C4S
320C6S
320C5S
420C12S
420C9S
520C9S
320R4S
320R6S
420C9S
430R9S
530R9S

420R12S
420R9S
520R9S

30A - IP67

330P4W
330P6W
330P7W
430P12W
430P9W
430P7W
430P5W
530P9W
530P7W
530P5W
330C4W
330C6W
330C7W
430C12W
430C9W
430C7W
430C5W
530C9W
530C7W
530C5W
330R4W
330R6W
330R7W
430R12W
430R9W
430R7W
430R5W
530R9W
530R7W
530R5W

30A - IP44

330P4S
330P6S
430P12S
430P9S
530P9S
330C4S
330C6S
430C12S
430C9S
530C9S
330R4S
330R6S
430R12S
430R9S
530R9S

60A - IP67

360P4W
360P6W
360P5W
360P7W
360P3W
460P12W
460P9W
460P7W
460P5W
560P9W
560P7W
560P5W
360C4W
360C6W
360C5W
360C7W
360C3W
460C12W
460C9W
460C7W
460C5W
560C9W
560C7W
560C5W
360R4W
360R6W
360R5W
360R7W
360R3W
460R12W
460R9W
460R7W
460R5W
560R9W
560R7W
560R5W

100A - IP67

3100P6W
4100P12W
4100P9W
4100P7W
4100P5W
5100P9W
5100P7W
5100P5W
4100C12W
4100C9W
4100C7W
4100C5W
5100C9W
5100C7W
5100C5W

4100R12W
4100R9W
4100R7W
4100R5W
5100R9W
5100R7W
5100R5W



20A - IP67

320B4W
320B6W
320B5W
320B7W
420B12W
420B9W
420B7W
420B5W
520B9W
520B7W
520B5W

20A - IP44

320B4S
320B6S
320B5S
420B12S
420B9S
520B9S

30A - IP67

330B4W
330B6W
330B7W
430B12W
430B9W
430B7W
430B5W
530B9W
530B7W
530B5W

30A - IP44

330B4S
330B6S
330B5S
330P5S
330C5S
330R5S
430B12S
430B9S
530B9S

60A - IP67

360B4W
360B6W
360B5W
360B7W
360B3W
460B12W
460B9W
460B7W
460B5W
560B9W
560B7W
560B5W

100A - IP67

4100B12W
4100B9W
4100B7W
4100B5W
5100B9W
5100B7W
5100B5W



16A - IP67

316P4W
316P6W
416P6W
516P6W
316C4W
316C6W
416C6W
516C6W
316R4W
316R6W
416R6W
516R6W

32A - IP67

332P4W
332P6W
432P6W
532P6W
332C4W
332C6W
432C6W
532C6W
332R4W
332R6W
432R6W
532R6W

16A - IP44

316P4S
316P6S
416P6S
516P6S
316C4S
316C6S
416C6S
516C6S
316R4S
316R6S
416R6S
516R6S

32A - IP44

332P4S
332P6S
432P6S
532P6S
332C4S
332C6S
432C6S
532C6S
332R4S
332R6S
432R6S
532R6S

63A - IP67

363P6W
463P6W
563P6W
363C6W
463C6W
563C6W
363R6W
463R6W
563R6W

125A - IP67

3125P6W
4125P6W
5125P6W
3125C6W
4125C6W
5125C6W
3125R6W
4125R6W
5125R6W

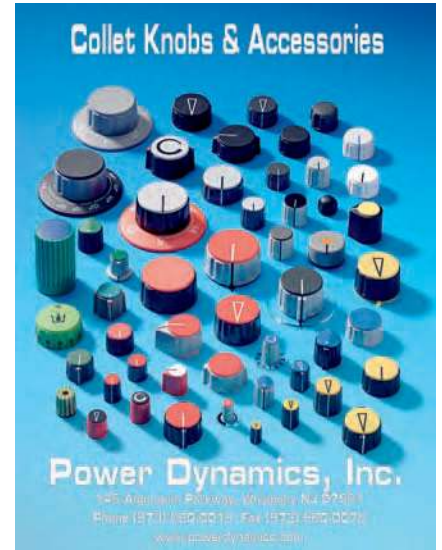
Also available



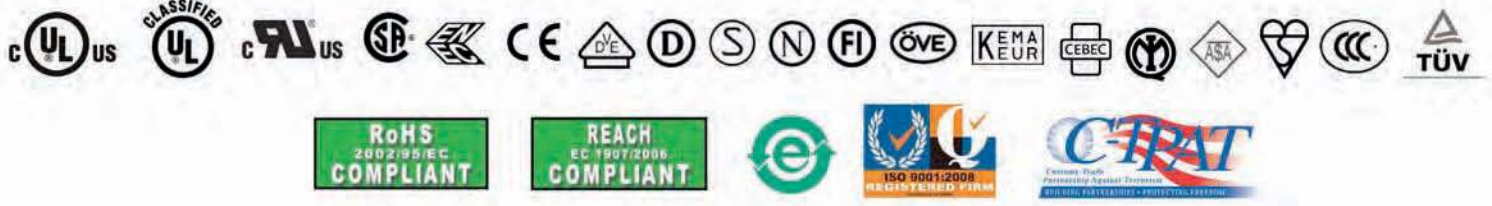
Connectors



EMI/RFI Filters



Collet Knobs



Power Dynamics, Inc.

145 Algonquin Parkway, Whippany NJ 07981 Phone: 973-560-0019
www.powerdynamics.com sales@powerdynamics.com