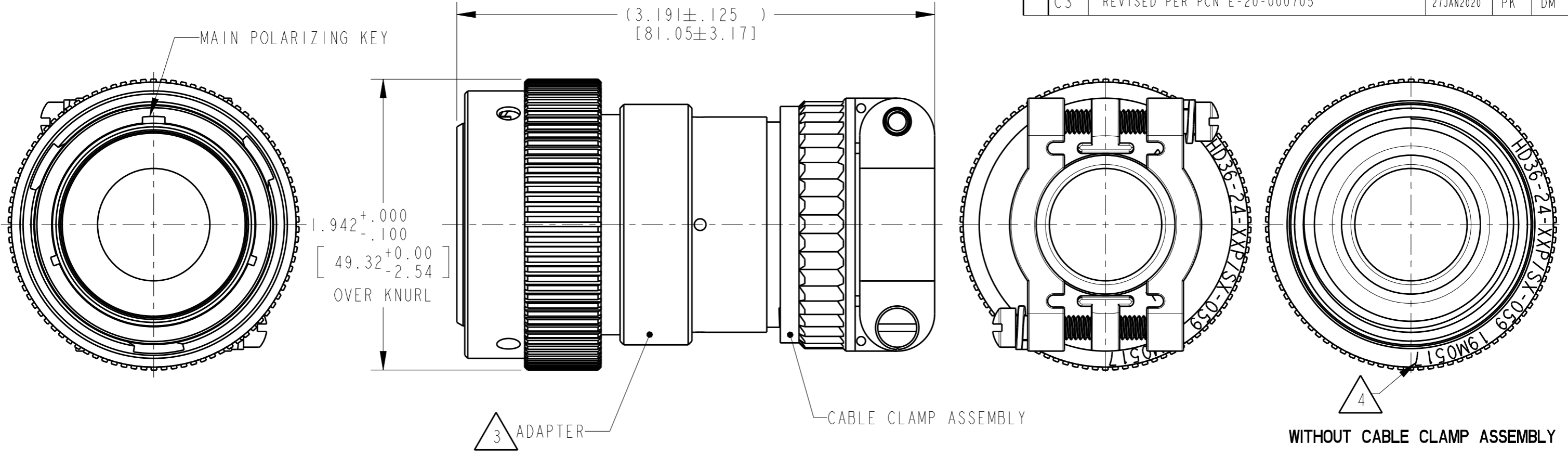


THIS DRAWING IS UNPUBLISHED
 RELEASED FOR PUBLICATION 2015
 © COPYRIGHT 2015 BY TE CONNECTIVITY ALL RIGHTS RESERVED.

LOC	DIST	P	LTR	DESCRIPTION	DATE	DWN	APVD
-	-		C	REVISED PER E.O. P21009	19JUL2011	-	RDR
			C1	REVISED PER ECO-15-001798	19MAR2015	PV	RDR
			C2	REVISED PER PCN-19-015890	11OCT2019	AP	IG
			C3	REVISED PER PCN E-20-000705	27JAN2020	PK	DM



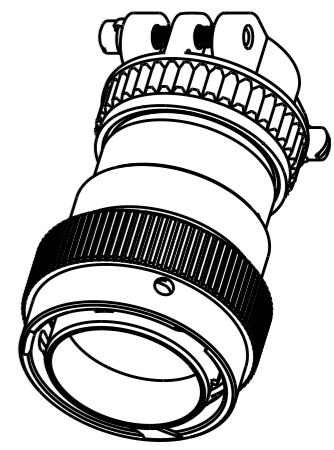
4 DATE CODE: IDENTIFIES THE YEAR, MONTH, DAY AND HOUR OF ASSEMBLY.
 YEAR: FIRST AND SECOND DIGITS. (14=2014)
 MONTH: THIRD DIGIT, EXCLUDING I. A=JAN., B=FEB., C=MARCH... (K=OCT.)
 DAY: FOURTH AND FIFTH DIGITS (14=14th DAY)
 HOUR: SIXTH AND SEVENTH DIGITS (11=11AM)

3 MATERIAL:
 ADAPTER: 6061-T6 ALUMINIUM ALLOY,
 GROMMET: SILICONE VMQ (RED),
 RETAINER RING: PA66 GF10.

2. THE CONNECTOR MATES WITH HD34-24-XXS/PX-XXXX
 X = SEAL DESIGNATION, XX = NUMBER OF CAVITIES,
 XXXX = MODIFICATION DESIGNATION.

1. SEE DRAWING 0425-014-2400 FOR ARRANGEMENT OF CONTACT LOCATION

NOTES:



3D VIEW

THIS DRAWING IS A CONTROLLED DOCUMENT.		DWN X. SANCHEZ 17APR2003		
DIMENSIONS: INCHES [mm]		CHK J. APOSTOL 13MAY2003		
TOLERANCES UNLESS OTHERWISE SPECIFIED:		APVD R. REED 16MAY2003	NAME	
0 PLC ±-	1 PLC ±-	PRODUCT SPEC 108-151014	PLUG CONNECTOR, SHELL SIZE 24	
2 PLC ±-	3 PLC ±.010 [±.254]	APPLICATION SPEC 114-151014	BAYONET COUPLING, MOD -059	
4 PLC ±-	ANGLES ±° 30' 0"	WEIGHT 144g	SIZE A3	CAGE CODE -
MATERIAL 3	FINISH -	Customer Drawing	DRAWING NO. C=HD36-24-XXP/SX-059	RESTRICTED TO -
			SCALE NONE	SHEET 1 OF 1
			REV C3	