

## 3.3V LVTTTL-to-Differential LVPECL and Differential LVPECL-to-LVTTTL Translator

### Features

- 3.3V  $\pm 10\%$  Power Supply
- Guaranteed AC Parameters over Temperature:  
 $f_{MAX} > 275$  MHz (LVTTTL)
- $< 2.5$  ns LVPECL-to-LVTTTL Propagation Delay
- $< 600$  ps LVTTTL-to-LVPECL Propagation Delay
- Industrial Temperature Range:  $-40^{\circ}\text{C}$  to  $+85^{\circ}\text{C}$
- Available in 8-Lead MSOP and SOIC packages

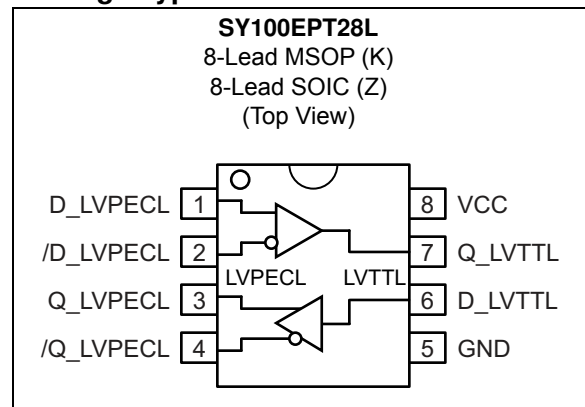
### General Description

The SY100EPT28L is a differential LVPECL-to-LVTTTL translator and an LVTTTL-to-differential LVPECL translator in a single package. Because LVPECL (Positive ECL) levels are used, only +3.3V and ground are required. The small outline 8-pin package and the dual translation design of the EPT28L makes it ideal for applications that are sending and receiving signals across a backplane.

Under open input conditions, the  $/D\_LVPECL$  input will be biased at  $V_{CC}/2$  and the  $D\_LVPECL$  input will be pulled to GND. This condition will force the  $Q\_LVTTTL$  to a low, ensuring stability.

The 100k series includes temperature compensation. Thus, logic levels are constant over temperature.

### Package Types



# SY100EPT28L

---

## 1.0 ELECTRICAL CHARACTERISTICS

### Absolute Maximum Ratings †

Power Supply Voltage ( $V_{CC}$ )	.....	-0.5V to +3.8V
Input Voltage ( $V_{IN}$ )	.....	0V to $V_{CC}$
LVPECL Output Current (Continuous)	.....	50 mA
LVPECL Output Current (Surge)	.....	100 mA
Lead Temperature (Soldering, 5 sec.)	.....	+260°C
Storage Temperature ( $T_S$ )	.....	-65°C to +150°C

### Operating Ratings ††

Supply Voltage Range ( $V_{CC}$ )	.....	+3.0V to +3.6V
Operating Temperature Range ( $T_A$ )	.....	-40°C to +85°C
Package Thermal Resistance		
SOIC 8-Ld, Still-Air ( $\theta_{JA}$ )	.....	160°C/W
SOIC 8-Ld, 500 lfm ( $\theta_{JA}$ )	.....	109°C/W
SOIC 8-Ld ( $\theta_{JC}$ )	.....	39°C/W
MSOP 8-Ld, Still-Air ( $\theta_{JA}$ )	.....	206°C/W
MSOP 8-Ld, 500 lfm ( $\theta_{JA}$ )	.....	155°C/W
MSOP 8-Ld ( $\theta_{JC}$ )	.....	39°C/W

† **Notice:** Stresses above those listed under “Absolute Maximum Ratings” may cause permanent damage to the device. This is a stress rating only and functional operation of the device at those or any other conditions above those indicated in the operational sections of this specification is not intended. Exposure to maximum rating conditions for extended periods may affect device reliability.

†† **Notice:** The device is not guaranteed to function outside its operating ratings.

**TABLE 1-1: DC ELECTRICAL CHARACTERISTICS (Note 1)**

Parameter	Symbol	Min.	Typ.	Max.	Units	Conditions
Power Supply Current	$I_{CC}$	—	20	40	mA	$T_A = -40^\circ\text{C}$
		—	22	40		$T_A = +25^\circ\text{C}$
		—	25	40		$T_A = +85^\circ\text{C}$

**Note 1:** The circuit is designed to meet the DC specifications shown in the above table after thermal equilibration has been established. The circuit is in a test socket or mounted on a PCB and transverse airflow greater than 500 lfpm is maintained.

**TABLE 1-2: LVPECL DC ELECTRICAL CHARACTERISTICS (Note 1)**

**Electrical Characteristics:**  $V_{CC} = 3.0\text{V to }3.6\text{V}$ ;  $T_A = -40^\circ\text{C to }+85^\circ\text{C}$  unless noted.

Parameter	Symbol	Min.	Typ.	Max.	Units	Conditions
Output High Voltage	$V_{OH}$	$V_{CC} - 1.145$	$V_{CC} - 1.020$	$V_{CC} - 0.895$	V	$50\Omega$ to $V_{CC} - 2.0\text{V}$
Output Low Voltage	$V_{OL}$	$V_{CC} - 1.945$	$V_{CC} - 1.820$	$V_{CC} - 1.695$	V	$50\Omega$ to $V_{CC} - 2.0\text{V}$
Input High Voltage (Single-Ended)	$V_{IH}$	$V_{CC} - 1.225$	—	$V_{CC} - 0.880$	V	—
Input Low Voltage (Single-Ended)	$V_{IL}$	$V_{CC} - 1.945$	—	$V_{CC} - 1.625$	V	—
Common Mode Range	$V_{IHCMR}$	1.2	—	$V_{CC}$	$\mu\text{A}$	Note 2
Input High Current	$I_{IH}$	—	—	150	$\mu\text{A}$	D, /D
Input Low Current	$C_{IN}$	0.5	—	—	$\mu\text{A}$	D, $V_{IN} = V_{IL(MIN)}$
		-150	—	—		/D

**Note 1:** The circuit is designed to meet the DC specifications shown in the above table after thermal equilibration has been established. The circuit is in a test socket or mounted on a PCB and transverse airflow greater than 500 lfpm is maintained.

**2:** The CMR range is referenced to the most positive side of the differential input voltage.

**TABLE 1-3: LVTTTL DC ELECTRICAL CHARACTERISTICS (Note 1)**

**Electrical Characteristics:**  $V_{CC} = 3.0\text{V to }3.6\text{V}$ ;  $T_A = -40^\circ\text{C to }+85^\circ\text{C}$  unless noted.

Parameter	Symbol	Min.	Typ.	Max.	Units	Conditions
Output High Voltage	$V_{OH}$	2.0	—	—	V	$I_{OH} = -3\text{ mA}$
Output Low Voltage	$V_{OL}$	—	—	0.5	V	$I_{OL} = 24\text{ mA}$
Input High Voltage	$V_{IH}$	2.0	—	—	V	—
Input Low Voltage	$V_{IL}$	—	—	0.8	V	—
Input Clamp Voltage	$V_{IK}$	-1.2	—	—	V	$I_{IK} = -18\text{ mA}$
Input High Current	$I_{IH}$	—	—	20	$\mu\text{A}$	$V_{IN} = 2.7\text{V}$
		—	—	100		$V_{IN} = V_{CC}$
Input Low Current	$I_{IL}$	-0.2	—	—	$\mu\text{A}$	$V_{IN} = 0.5\text{V}$
LVTTTL Output Short Circuit Current	$I_{OUT}$	-275	—	-80	mA	$V_{OUT} = 0\text{V}$
Input Capacitance	$C_{IN}$	—	0.75	—	pF	SOIC, $T_A = +25^\circ\text{C}$
		—	1.1	—		MSOP, $T_A = +25^\circ\text{C}$

**Note 1:** The circuit is designed to meet the DC specifications shown in the above table after thermal equilibration has been established. The circuit is in a test socket or mounted on a PCB and transverse airflow greater than 500 lfpm is maintained.

# SY100EPT28L

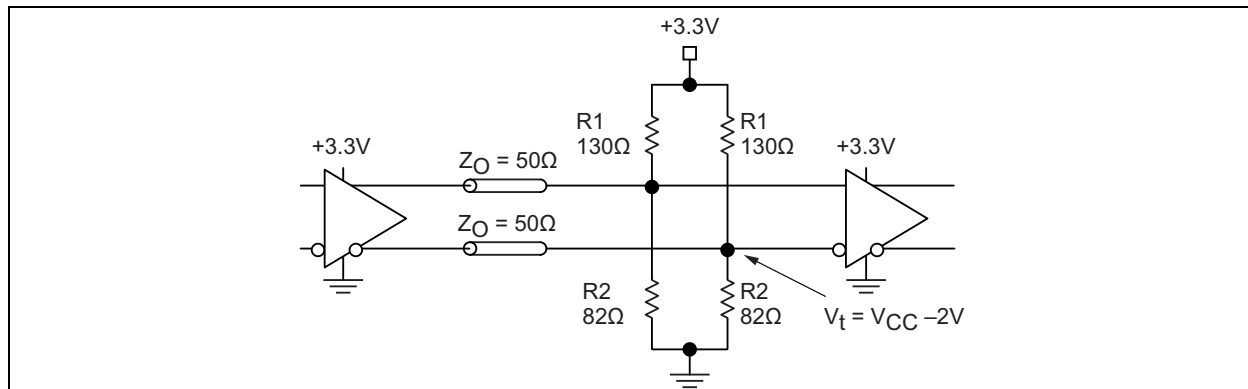
**TABLE 1-4: AC ELECTRICAL CHARACTERISTICS**

Electrical Characteristics:  $V_{CC} = 3.0V$  to  $3.6V$ ;  $T_A = -40^{\circ}C$  to  $+85^{\circ}C$  unless noted.

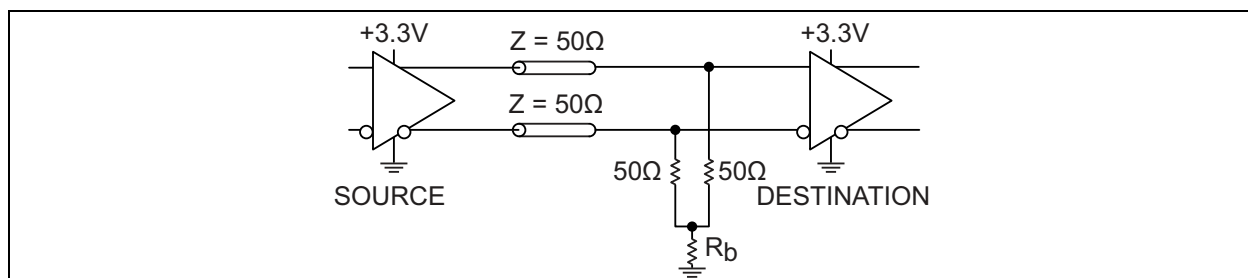
Parameter	Symbol	Min.	Typ.	Max.	Units	Conditions
Maximum Frequency	$f_{MAX}$	700	—	—	MHz	LVPECL, Output Toggle Freq.
		275	350	—		LVTTL, Output Toggle Freq.
Propagation Delay D_LVPECL to Q_LVTTL	$t_{PLH}, t_{PHL}$	1.5	—	2.5	ns	$C_L = 20$ pF
Propagation Delay Q_LVTTL to D_LVPECL		100	400	600	ps	$50\Omega$ to $V_{CC} - 2.0V$
LVPECL Input Voltage Swing (Single-Ended)	$V_{PP}$	100	—	—	mV	Note 1
LVPECL Output Rise/Fall Times (20% to 80%)	$t_r/t_f$	200	—	500	ns	$50\Omega$ to $V_{CC} - 2.0V$
LVTTL Output Rise/Fall Times (20% to 80%)		0.5	—	1.0		$C_L = 20$ pF
Duty Cycle	$t_{DC}$	45	50	55	%	—
Cycle-to-Cycle Jitter (RMS)	$t_{JITTER}$	—	0.2	<1	ps <sub>RMS</sub>	—

**Note 1:**  $V_{PP(MIN)}$  is the minimum input swing for which AC parameters are guaranteed.

## Termination Recommendations



**FIGURE 1-1:** LVPECL Parallel Termination – Thevenin Equivalent.



**FIGURE 1-2:** LVPECL Three-Resistor “Y Termination”.

Figure 1-2 is a power-saving alternative to four-resistor, Thevenin termination. Place termination resistors as close to the destination inputs as possible. The  $R_b$  resistor sets the DC voltage, equal to  $V_t$ . For 3.3V supply,  $R_b$  is between 46Ω and 50Ω.

## 2.0 PIN DESCRIPTIONS

The descriptions of the pins are listed in [Table 2-1](#).

**TABLE 2-1: PIN FUNCTION TABLE**

Pin Number	Pin Name	Description
1, 2	D_LVPECL, /D_LVPECL	Low Voltage Differential PECL Inputs. D_LVPECL with 75 k $\Omega$ internal pull-down, /D_LVPECL with 75 k $\Omega$ internal pull-down and pull-up.
3, 4	Q_LVPECL, /Q_LVPECL	Low Voltage Differential PECL Outputs.
5	GND	Ground.
6	D_LVTTL	Low Voltage TTL Input.
7	Q_LVTTL	Low Voltage TTL Output.
8	V <sub>CC</sub>	3.3V positive supply.

# SY100EPT28L

## 3.0 PACKAGING INFORMATION

### 3.1 Package Marking Information

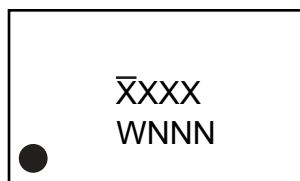
8-Lead SOIC\*



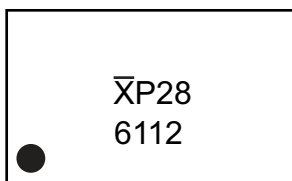
Example



8-Lead MSOP\*

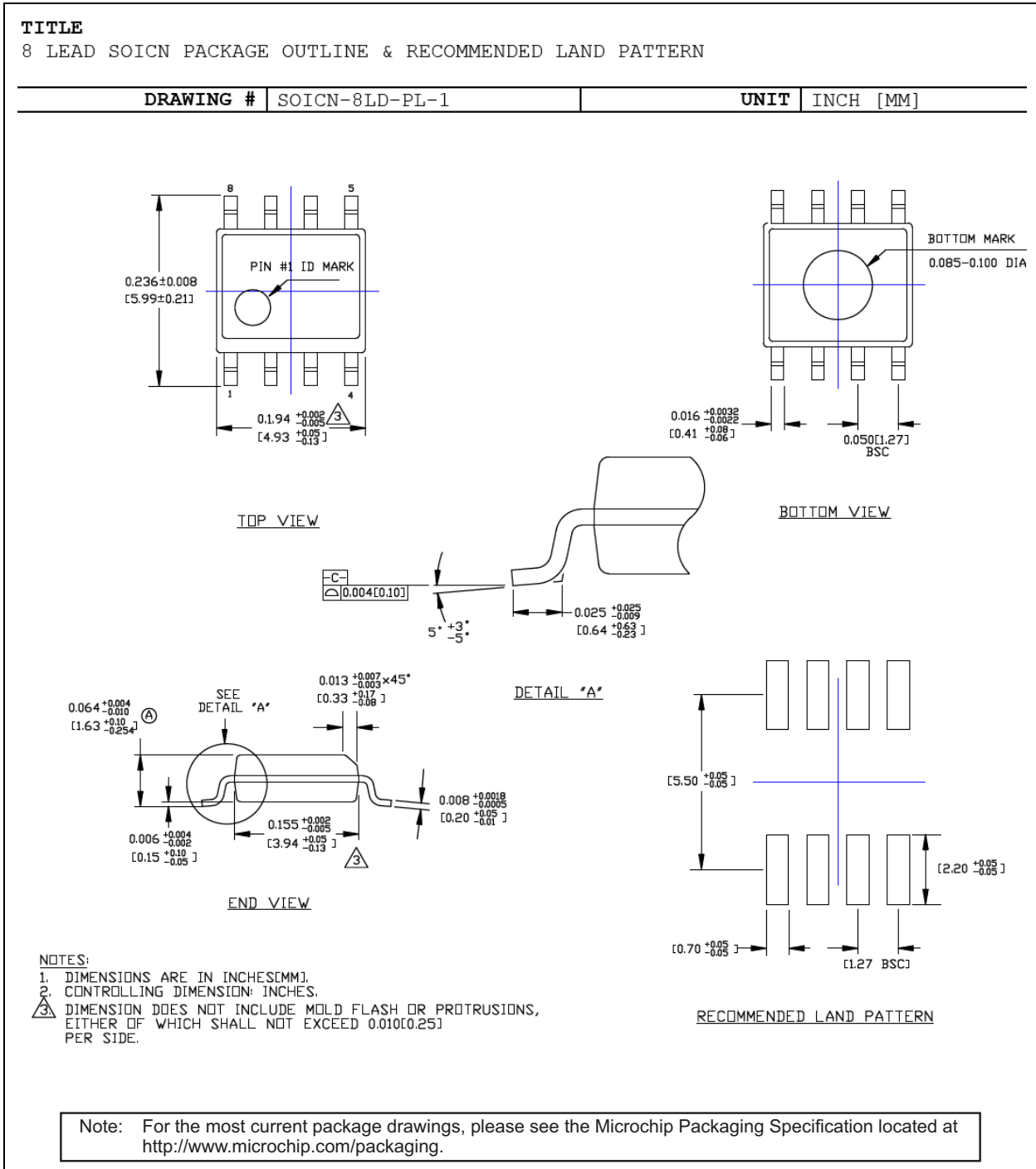


Example



<b>Legend:</b>	XX...X	Product code or customer-specific information
	Y	Year code (last digit of calendar year)
	YY	Year code (last 2 digits of calendar year)
	WW	Week code (week of January 1 is week '01')
	NNN	Alphanumeric traceability code
	(e3)	Pb-free JEDEC® designator for Matte Tin (Sn)
	*	This package is Pb-free. The Pb-free JEDEC designator ((e3)) can be found on the outer packaging for this package.
	●, ▲, ▼	Pin one index is identified by a dot, delta up, or delta down (triangle mark).
<b>Note:</b>	In the event the full Microchip part number cannot be marked on one line, it will be carried over to the next line, thus limiting the number of available characters for customer-specific information. Package may or may not include the corporate logo.	
	Underbar (¯) and/or Overbar (¯) symbol may not be to scale.	

## 8-Lead SOIC Package Outline and Recommended Land Pattern



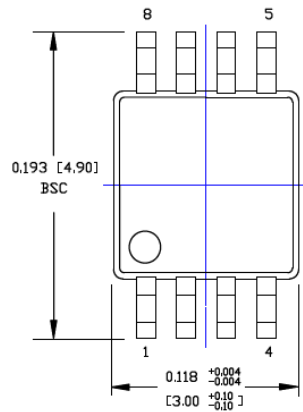
# SY100EPT28L

## 8-Lead MSOP Package Outline and Recommended Land Pattern

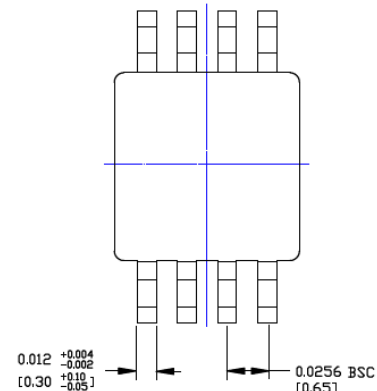
**TITLE**

8 LEAD MSOP PACKAGE OUTLINE & RECOMMENDED LAND PATTERN

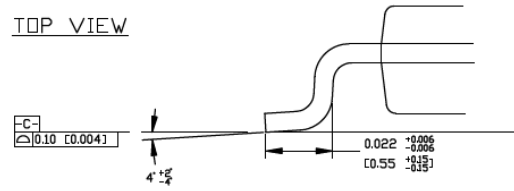
DRAWING #	MSOP-8LD-PL-1	UNIT	INCH	[MM]
-----------	---------------	------	------	------



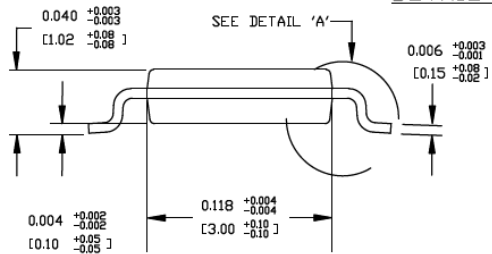
TOP VIEW



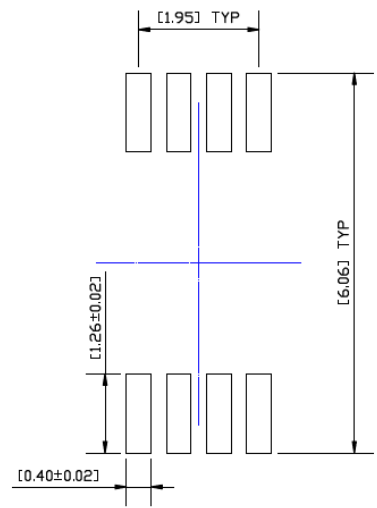
BOTTOM VIEW



DETAIL A



SIDE VIEW



RECOMMENDED LAND PATTERN

- NOTES:
1. DIMENSIONS ARE IN INCHES [MM].
  2. CONTROLLING DIMENSION: MM
  3. DIMENSION DOES NOT INCLUDE MOLD FLASH OR PROTRUSIONS, EITHER OF WHICH SHALL NOT EXCEED 0.008 [0.20] PER SIDE.

Note: For the most current package drawings, please see the Microchip Packaging Specification located at <http://www.microchip.com/packaging>.



## APPENDIX A: REVISION HISTORY

### Revision A (September 2018)

- Converted Micrel document SY100EPT28L to Microchip data sheet DS20006067A.
- Minor text changes throughout.
- Removed all reference to the EOL SY100EPT28L version.

# SY100EPT28L

---

NOTES:

## PRODUCT IDENTIFICATION SYSTEM

To order or obtain information, e.g., on pricing or delivery, contact your local Microchip representative or sales office.

<b>PART NO.</b>		<b>X</b>	<b>X</b>	<b>-XX</b>
<b>Device</b>		<b>Package</b>	<b>Temperature Range</b>	<b>Special Processing</b>
<b>Device:</b>	SY100EPT28L: 3V LVTTL-to-Differential LVPECL and Differential LVPECL-to-LVTTL Translator			
<b>Package:</b>	Z	=	8-Lead SOIC	
	K	=	8-Lead MSOP	
<b>Temperature Range:</b>	G	=	-40°C to +85°C (Pb-Free NiPdAu)	
<b>Special Processing:</b>	<blank>	=	95/Tube (SOIC package)	
	<blank>	=	100/Tube (MSOP package)	
	TR	=	1,000/Reel	

<b>Examples:</b>	
a) SY100EPT28LZG:	SY100EPT28L, 8-Lead SOIC, -40°C to +85°C (Pb-Free NiPdAu), 95/Tube
b) SY100EPT28LZG-TR:	SY100EPT28L, 8-Lead SOIC, -40°C to +85°C (Pb-Free NiPdAu), 1,000/Reel
c) SY100EPT28LKG:	SY100EPT28L, 8-Lead MSOP, -40°C to +85°C (Pb-Free NiPdAu), 100/Tube
d) SY100EPT28LKG-TR:	SY100EPT28L, 8-Lead MSOP, -40°C to +85°C (Pb-Free NiPdAu), 1,000/Reel

<b>Note 1:</b>	
Tape and Reel identifier only appears in the catalog part number description. This identifier is used for ordering purposes and is not printed on the device package. Check with your Microchip Sales Office for package availability with the Tape and Reel option.	

# SY100EPT28L

---

NOTES:

---

---

**Note the following details of the code protection feature on Microchip devices:**

- Microchip products meet the specification contained in their particular Microchip Data Sheet.
- Microchip believes that its family of products is one of the most secure families of its kind on the market today, when used in the intended manner and under normal conditions.
- There are dishonest and possibly illegal methods used to breach the code protection feature. All of these methods, to our knowledge, require using the Microchip products in a manner outside the operating specifications contained in Microchip's Data Sheets. Most likely, the person doing so is engaged in theft of intellectual property.
- Microchip is willing to work with the customer who is concerned about the integrity of their code.
- Neither Microchip nor any other semiconductor manufacturer can guarantee the security of their code. Code protection does not mean that we are guaranteeing the product as “unbreakable.”

Code protection is constantly evolving. We at Microchip are committed to continuously improving the code protection features of our products. Attempts to break Microchip's code protection feature may be a violation of the Digital Millennium Copyright Act. If such acts allow unauthorized access to your software or other copyrighted work, you may have a right to sue for relief under that Act.

---

Information contained in this publication regarding device applications and the like is provided only for your convenience and may be superseded by updates. It is your responsibility to ensure that your application meets with your specifications. MICROCHIP MAKES NO REPRESENTATIONS OR WARRANTIES OF ANY KIND WHETHER EXPRESS OR IMPLIED, WRITTEN OR ORAL, STATUTORY OR OTHERWISE, RELATED TO THE INFORMATION, INCLUDING BUT NOT LIMITED TO ITS CONDITION, QUALITY, PERFORMANCE, MERCHANTABILITY OR FITNESS FOR PURPOSE. Microchip disclaims all liability arising from this information and its use. Use of Microchip devices in life support and/or safety applications is entirely at the buyer's risk, and the buyer agrees to defend, indemnify and hold harmless Microchip from any and all damages, claims, suits, or expenses resulting from such use. No licenses are conveyed, implicitly or otherwise, under any Microchip intellectual property rights unless otherwise stated.

*Microchip received ISO/TS-16949:2009 certification for its worldwide headquarters, design and wafer fabrication facilities in Chandler and Tempe, Arizona; Gresham, Oregon and design centers in California and India. The Company's quality system processes and procedures are for its PIC® MCUs and dsPIC® DSCs, KEELoC® code hopping devices, Serial EEPROMs, microperipherals, nonvolatile memory and analog products. In addition, Microchip's quality system for the design and manufacture of development systems is ISO 9001:2000 certified.*

**QUALITY MANAGEMENT SYSTEM  
CERTIFIED BY DNV  
= ISO/TS 16949 =**

### **Trademarks**

The Microchip name and logo, the Microchip logo, AnyRate, AVR, AVR logo, AVR Freaks, BitCloud, chipKIT, chipKIT logo, CryptoMemory, CryptoRF, dsPIC, FlashFlex, flexPWR, Heldo, JukeBlox, KeeLoq, Kleer, LANCheck, LINK MD, maXStylus, maXTouch, MediaLB, megaAVR, MOST, MOST logo, MPLAB, OptoLyzer, PIC, picoPower, PICSTART, PIC32 logo, Prochip Designer, QTouch, SAM-BA, SpyNIC, SST, SST Logo, SuperFlash, tinyAVR, UNI/O, and XMEGA are registered trademarks of Microchip Technology Incorporated in the U.S.A. and other countries.

ClockWorks, The Embedded Control Solutions Company, EtherSynch, Hyper Speed Control, HyperLight Load, IntellIMOS, mTouch, Precision Edge, and Quiet-Wire are registered trademarks of Microchip Technology Incorporated in the U.S.A.

Adjacent Key Suppression, AKS, Analog-for-the-Digital Age, Any Capacitor, AnyIn, AnyOut, BodyCom, CodeGuard, CryptoAuthentication, CryptoAutomotive, CryptoCompanion, CryptoController, dsPICDEM, dsPICDEM.net, Dynamic Average Matching, DAM, ECAN, EtherGREEN, In-Circuit Serial Programming, ICSP, INICnet, Inter-Chip Connectivity, JitterBlocker, KleerNet, KleerNet logo, memBrain, Mindi, MiWi, motorBench, MPASM, MPF, MPLAB Certified logo, MPLIB, MPLINK, MultiTRAK, NetDetach, Omniscient Code Generation, PICDEM, PICDEM.net, PICKit, PICtail, PowerSmart, PureSilicon, QMatrix, REAL ICE, Ripple Blocker, SAM-ICE, Serial Quad I/O, SMART-I.S., SQI, SuperSwitcher, SuperSwitcher II, Total Endurance, TSHARC, USBCheck, VariSense, ViewSpan, WiperLock, Wireless DNA, and ZENA are trademarks of Microchip Technology Incorporated in the U.S.A. and other countries.

SQTP is a service mark of Microchip Technology Incorporated in the U.S.A.

Silicon Storage Technology is a registered trademark of Microchip Technology Inc. in other countries.

GestIC is a registered trademark of Microchip Technology Germany II GmbH & Co. KG, a subsidiary of Microchip Technology Inc., in other countries.

All other trademarks mentioned herein are property of their respective companies.

© 2018, Microchip Technology Incorporated, All Rights Reserved.  
ISBN: 978-1-5224-3506-8



# MICROCHIP

## Worldwide Sales and Service

### AMERICAS

**Corporate Office**  
2355 West Chandler Blvd.  
Chandler, AZ 85224-6199  
Tel: 480-792-7200  
Fax: 480-792-7277  
Technical Support:  
<http://www.microchip.com/support>  
Web Address:  
[www.microchip.com](http://www.microchip.com)

#### Atlanta

Duluth, GA  
Tel: 678-957-9614  
Fax: 678-957-1455

#### Austin, TX

Tel: 512-257-3370

#### Boston

Westborough, MA  
Tel: 774-760-0087  
Fax: 774-760-0088

#### Chicago

Itasca, IL  
Tel: 630-285-0071  
Fax: 630-285-0075

#### Dallas

Addison, TX  
Tel: 972-818-7423  
Fax: 972-818-2924

#### Detroit

Novi, MI  
Tel: 248-848-4000

#### Houston, TX

Tel: 281-894-5983

#### Indianapolis

Noblesville, IN  
Tel: 317-773-8323  
Fax: 317-773-5453  
Tel: 317-536-2380

#### Los Angeles

Mission Viejo, CA  
Tel: 949-462-9523  
Fax: 949-462-9608  
Tel: 951-273-7800

#### Raleigh, NC

Tel: 919-844-7510

#### New York, NY

Tel: 631-435-6000

#### San Jose, CA

Tel: 408-735-9110  
Tel: 408-436-4270

#### Canada - Toronto

Tel: 905-695-1980  
Fax: 905-695-2078

### ASIA/PACIFIC

**Australia - Sydney**  
Tel: 61-2-9868-6733

**China - Beijing**  
Tel: 86-10-8569-7000

**China - Chengdu**  
Tel: 86-28-8665-5511

**China - Chongqing**  
Tel: 86-23-8980-9588

**China - Dongguan**  
Tel: 86-769-8702-9880

**China - Guangzhou**  
Tel: 86-20-8755-8029

**China - Hangzhou**  
Tel: 86-571-8792-8115

**China - Hong Kong SAR**  
Tel: 852-2943-5100

**China - Nanjing**  
Tel: 86-25-8473-2460

**China - Qingdao**  
Tel: 86-532-8502-7355

**China - Shanghai**  
Tel: 86-21-3326-8000

**China - Shenyang**  
Tel: 86-24-2334-2829

**China - Shenzhen**  
Tel: 86-755-8864-2200

**China - Suzhou**  
Tel: 86-186-6233-1526

**China - Wuhan**  
Tel: 86-27-5980-5300

**China - Xian**  
Tel: 86-29-8833-7252

**China - Xiamen**  
Tel: 86-592-2388138

**China - Zhuhai**  
Tel: 86-756-3210040

### ASIA/PACIFIC

**India - Bangalore**  
Tel: 91-80-3090-4444

**India - New Delhi**  
Tel: 91-11-4160-8631

**India - Pune**  
Tel: 91-20-4121-0141

**Japan - Osaka**  
Tel: 81-6-6152-7160

**Japan - Tokyo**  
Tel: 81-3-6880-3770

**Korea - Daegu**  
Tel: 82-53-744-4301

**Korea - Seoul**  
Tel: 82-2-554-7200

**Malaysia - Kuala Lumpur**  
Tel: 60-3-7651-7906

**Malaysia - Penang**  
Tel: 60-4-227-8870

**Philippines - Manila**  
Tel: 63-2-634-9065

**Singapore**  
Tel: 65-6334-8870

**Taiwan - Hsin Chu**  
Tel: 886-3-577-8366

**Taiwan - Kaohsiung**  
Tel: 886-7-213-7830

**Taiwan - Taipei**  
Tel: 886-2-2508-8600

**Thailand - Bangkok**  
Tel: 66-2-694-1351

**Vietnam - Ho Chi Minh**  
Tel: 84-28-5448-2100

### EUROPE

**Austria - Wels**  
Tel: 43-7242-2244-39  
Fax: 43-7242-2244-393

**Denmark - Copenhagen**  
Tel: 45-4450-2828  
Fax: 45-4485-2829

**Finland - Espoo**  
Tel: 358-9-4520-820

**France - Paris**  
Tel: 33-1-69-53-63-20  
Fax: 33-1-69-30-90-79

**Germany - Garching**  
Tel: 49-8931-9700

**Germany - Haan**  
Tel: 49-2129-3766400

**Germany - Heilbronn**  
Tel: 49-7131-67-3636

**Germany - Karlsruhe**  
Tel: 49-721-625370

**Germany - Munich**  
Tel: 49-89-627-144-0  
Fax: 49-89-627-144-44

**Germany - Rosenheim**  
Tel: 49-8031-354-560

**Israel - Ra'anana**  
Tel: 972-9-744-7705

**Italy - Milan**  
Tel: 39-0331-742611  
Fax: 39-0331-466781

**Italy - Padova**  
Tel: 39-049-7625286

**Netherlands - Drunen**  
Tel: 31-416-690399  
Fax: 31-416-690340

**Norway - Trondheim**  
Tel: 47-7288-4388

**Poland - Warsaw**  
Tel: 48-22-3325737

**Romania - Bucharest**  
Tel: 40-21-407-87-50

**Spain - Madrid**  
Tel: 34-91-708-08-90  
Fax: 34-91-708-08-91

**Sweden - Gothenberg**  
Tel: 46-31-704-60-40

**Sweden - Stockholm**  
Tel: 46-8-5090-4654

**UK - Wokingham**  
Tel: 44-118-921-5800  
Fax: 44-118-921-5820