

NOTES:

1. MATERIALS AND FINISHES:

- FERRULE - BRASS, BRIGHT TIN PLATING
- BODY - BRASS, BRIGHT TIN PLATING
- CONTACT - BRASS, BRIGHT TIN PLATING
- COUPLING NUT - BRASS, BRIGHT TIN PLATING
- INSULATOR - PTFE NATURAL

2. ELECTRICAL:

- A. IMPEDANCE: 75 OHM, NOMINAL
- B. FREQUENCY RANGE: 0-1 GHz
- C. D.W.V: 1500 VRMS, MIN.

3. MECHANICAL:

- A. DURABILITY: 100 CYCLES MIN.
- B. TEMPERATURE RANGE: -40°C TO +140°C

4. CRIMPED FERRULE HEX CRIMP SIZE .128"

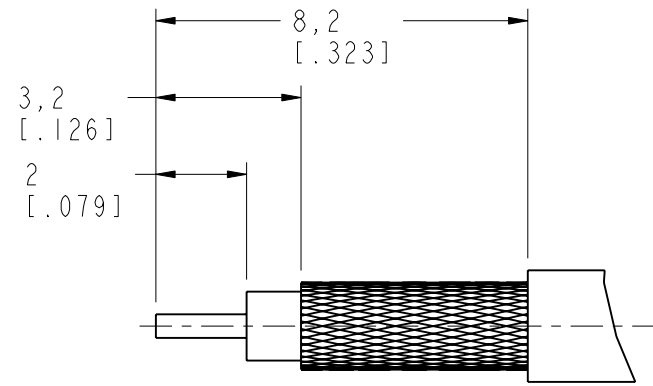
5. CONTACT PIN TO SOLDER

6 SHOWS CABLE ENTRY DIMENSIONS.

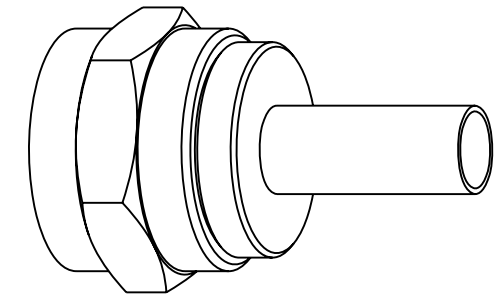
THIRD ANGLE PROJ.

REVISIONS

REV	DESCRIPTION	DATE	ECO	APPR
A	UPDATE FERRULE DIMENSIONS	19-Nov-02		GRS
B	THE COUPLING NUT WAS CHANGED\RD-DM06071801C	01-Aug-06		AW
C	SYNC. THE CONTACT WAS CAHNGED\RD-DM16112101K2	21-Nov-16	02441	KEN

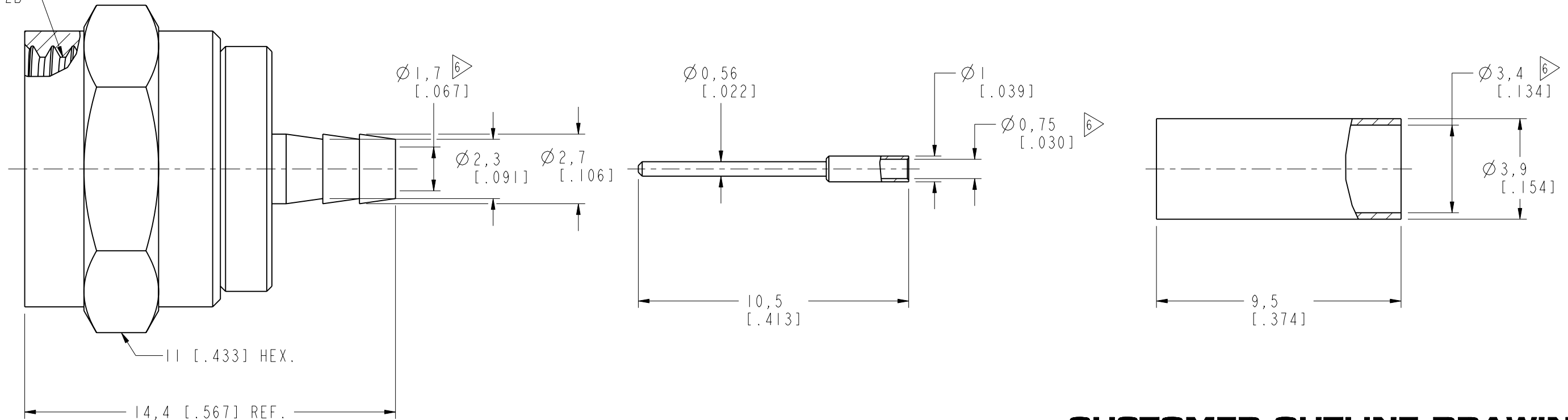


RECOMMENDED
CABLE STRIPPING DIM'S



SCALE 3.000

3/8-32UNEF-2B



CUSTOMER OUTLINE DRAWING

ALL OTHER SHEETS ARE FOR INTERNAL USE ONLY

UNLESS OTHERWISE SPECIFIED, DIMENSIONS ARE IN METRIC AND TOLERANCES ARE:
 <0.5mm ±0.05mm 0.5 - 6mm ±0.1mm 6 - 30mm ±0.2mm 30 - 120mm ±0.3mm ANGLES ±1°

NOTICE - These drawings, specifications, or other data (1) are, and remain the property of Amphenol corp. (2) must be returned upon request; and (3) are confidential and not to be disclosed to any person other than those to whom they are given by Amphenol Corp. the furnishing of these drawings, specifications, or other data by Amphenol Corp., or to any other person to anyone for any purpose is not to be regarded by implication or otherwise in any manner licensing, granting rights to permitting such holder or any other person to manufacture, use or sell any product, process or design, patented or otherwise, that may in any way be related to or disclosed by said drawings, specifications, or other data.

MATERIAL	DRAWN K. SONG	DATE 21-Nov-16	TITLE F CRIMP PLUG (FOR RG-316/U CABLE)	Amphenol RF www.amphenolrf.com
REFERENCE AND CONFIGURATION LEVEL: In Work	ENGINEER A. WANG	DATE 01-Aug-06		
FINISH	APPROVED S. HSIEH	DATE 09-Dec-16	SCALE: 6.0:1.0	DRAWING NO. F1111A1-TTT-316U-75
	CAD FILE		SHEET 2 OF 2	ITEM NO. 041111AAW36TB7F
			DWG SIZE B	PART NO. 222184
			REV C	