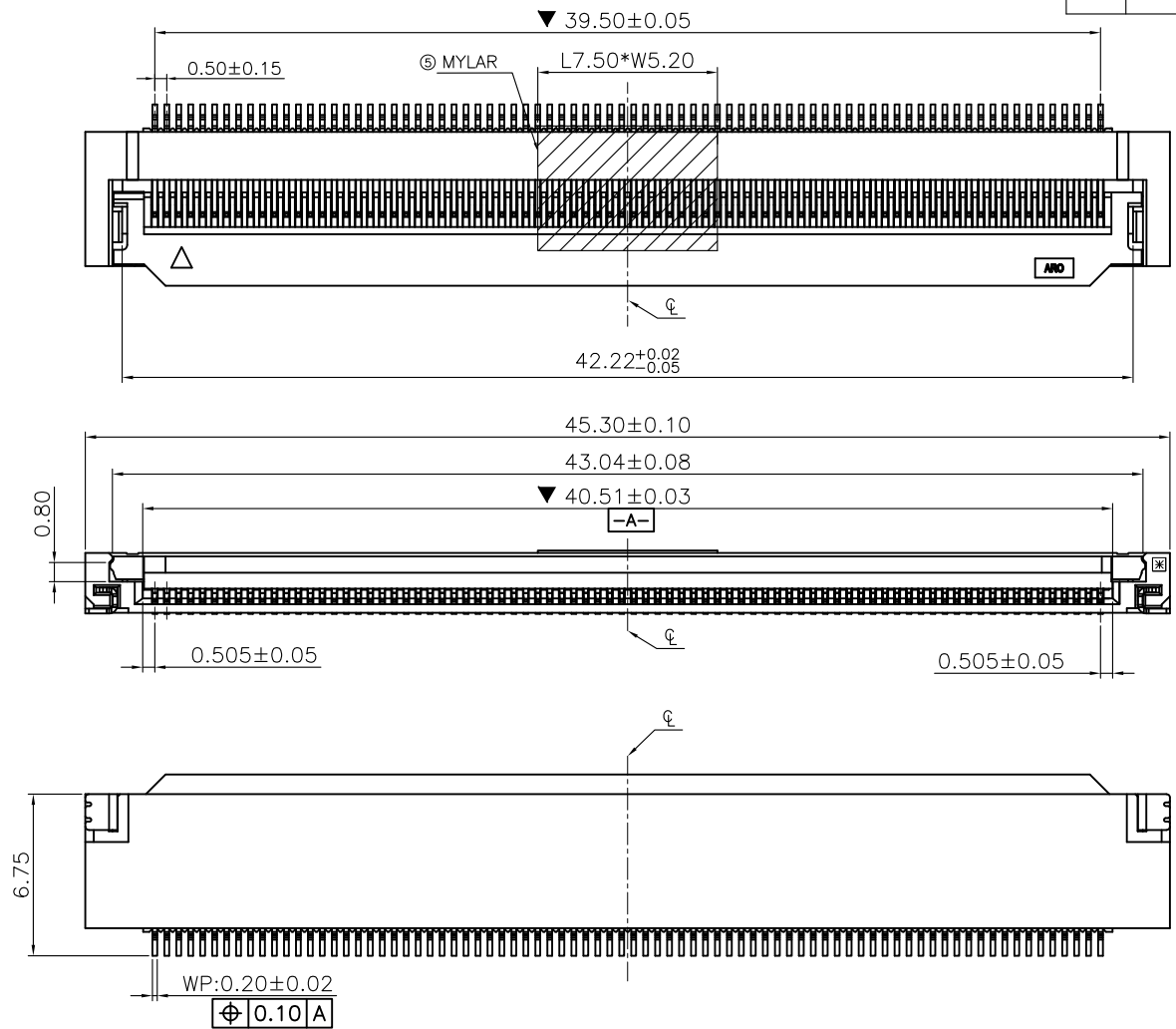


This document is the property of and embodies CONFIDENTIAL and PROPRIETARY information of AOR. No part of the information shown on this document may be used in any way or disclosed to others without the written consent of AOR. © 2019 AOR

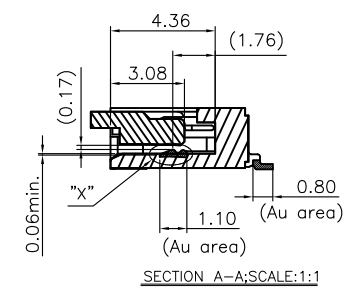
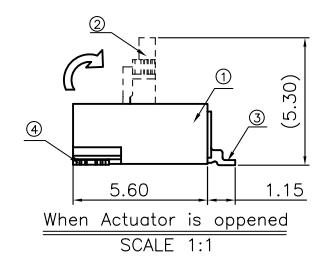
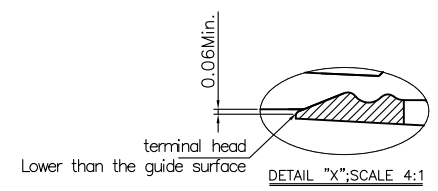
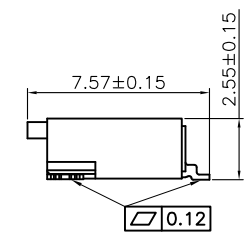


REV.	ECR/ECN No.	DESCRIPTION	DRAWN/DATE	CHECKED/DATE	APPROVED/DATE
A	/	NEW RELEASE	May 2020-05-15		



- SPECIFICATION**
- CONTACT RESISTANCE : 30mΩ MAX.;
 - DIELECTRIC WITHSTANDING VOLTAGE;
500V AC R.M.S. FOR 1 MINUTE;
 - INSULATION RESISTANCE : 500MΩ MIN;
 - "▼" IS IMPORTANT DIMENSION;
 - "▽" NOTATION FOR CPK AND X-R TEST SIZE
 - ALL MATERIAL MUST BE COMPLY WITH SS-00259 OR RoHS.
 - PART NO.:

F31L-1A7H1-11080
 NO. OF POSITIONS
 7H:PHOSPHOR BRONZE
 0.05um MIN Au(Au Area)



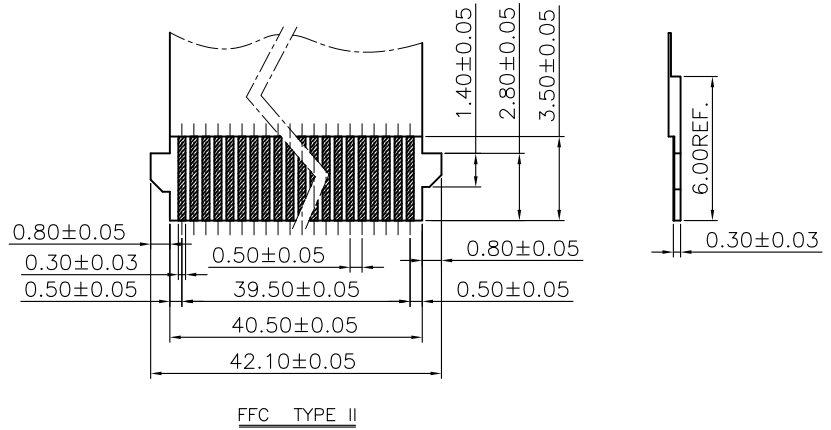
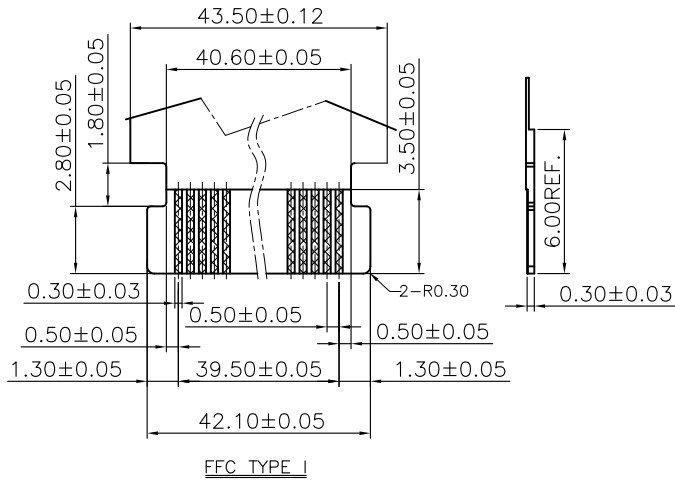
NO.	COMPONENTS	MATERIALS	FINISH/COLOR SPECIFICATION	QTY.
1	HOUSING	Liquid crystal polymer	Natural	1
2	ACTUATOR	Polyamide 9T	black(UL94V-0);	1
3	CONTACT	Phosphor Bronze T=0.20mm	UNDER PLATING:1~3um Ni SURFACE SELECT PLATING:SEE PART NO.	80
4	ANCHOR-PLATE	Brass T=0.20mm	2~4um Tin PLATING 1~3um Ni UNDERPLATING	2
5	MYLAR	T=0.10mm THERMOSTABLE	YELLOW	1

UNLESS OTHERWISE SPECIFIED TOLERANCES				ANGLE OF PROJECTION		Amphenol AORORA			
X.	±0.30	X. '	± 5'			Amphenol Aorora Technology (Huizhou) Co.,Ltd TITLE: Assembly Drawing For FPC P0.5 H2.55 ZIF R/A TYPE SMT 80pin			
X.X	±0.25	X.X '	± 4'						
X.XX	±0.20	X.XX '	± 3'	DOC TYP Customer Drw		PART NUMBER: F31L-1A7H1-11080			
X.XXX	±0.15	X.XXX '	± 2'	DRAWN DATE May 2020-05-15 DESIGN DATE May 2020-05-15 CHECKED DATE Rain Han 2020-05-15 APPROVED DATE Leo Liu 2020-05-15	SIZE A4 SCALE 4:1 UNIT : mm SHEET 1 OF 2				

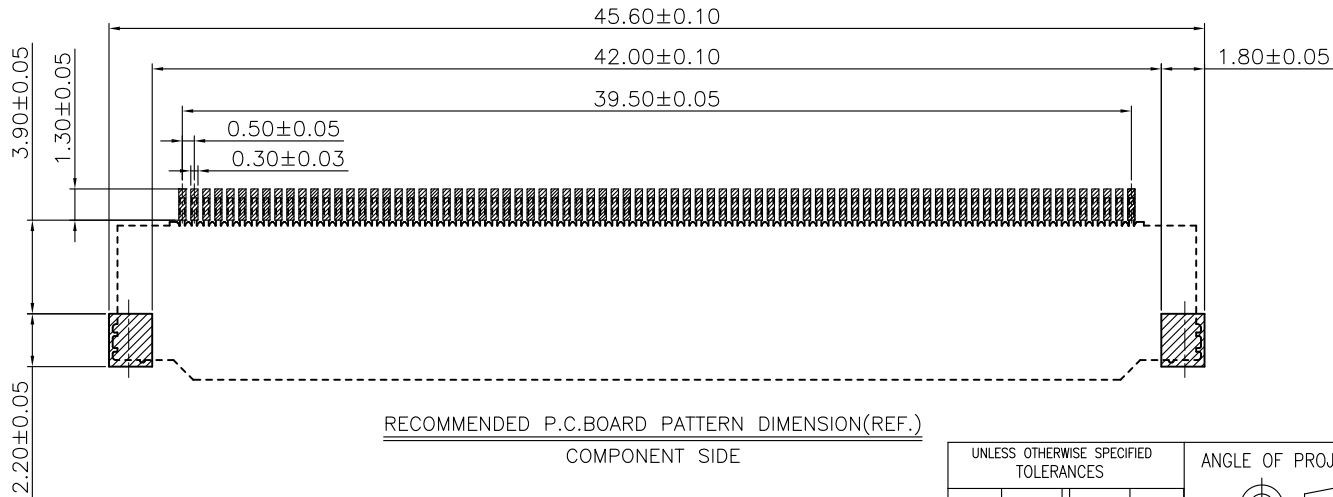
This document is the property of and embodies CONFIDENTIAL and PROPRIETARY information of AOR. No part of the information shown on this document may be used in any way or disclosed to others without the written consent of AOR. © 2019 AOR



1. FFC PATTERN DIMENSION



2. P.C.B LAYOUT, TOL: ±0.05



UNLESS OTHERWISE SPECIFIED TOLERANCES				ANGLE OF PROJECTION		 Amphenol Aorora Technology (Huizhou) Co., Ltd	
X.	±0.30	X. °	± 5'			TITLE:	
X.X	±0.25	X.X °	± 4'			Customer Drw	
X.XX	±0.20	X.XX °	± 3'	DOC TYP	Customer Drw	DESIGN DATE	May 2020-05-15
X.XXX	±0.15	X.XXX °	± 2'	DRAWN	DATE	DESIGN DATE	May 2020-05-15
LINEAR DIMS		ANGLES DIMS		CHECKED	DATE	SCALE	4:1
DWG NO.: A-S0350		MATERIAL		SEE NOTES	DATE	REV.	A
FINISHED		SEE NOTES		APPROVED	DATE	Leo Liu	2020-05-15
SIZE		PART NUMBER:		SCALE		UNIT : mm	
A4		F31L-1A7H1-11080		4:1		SHEET 2 OF 2	