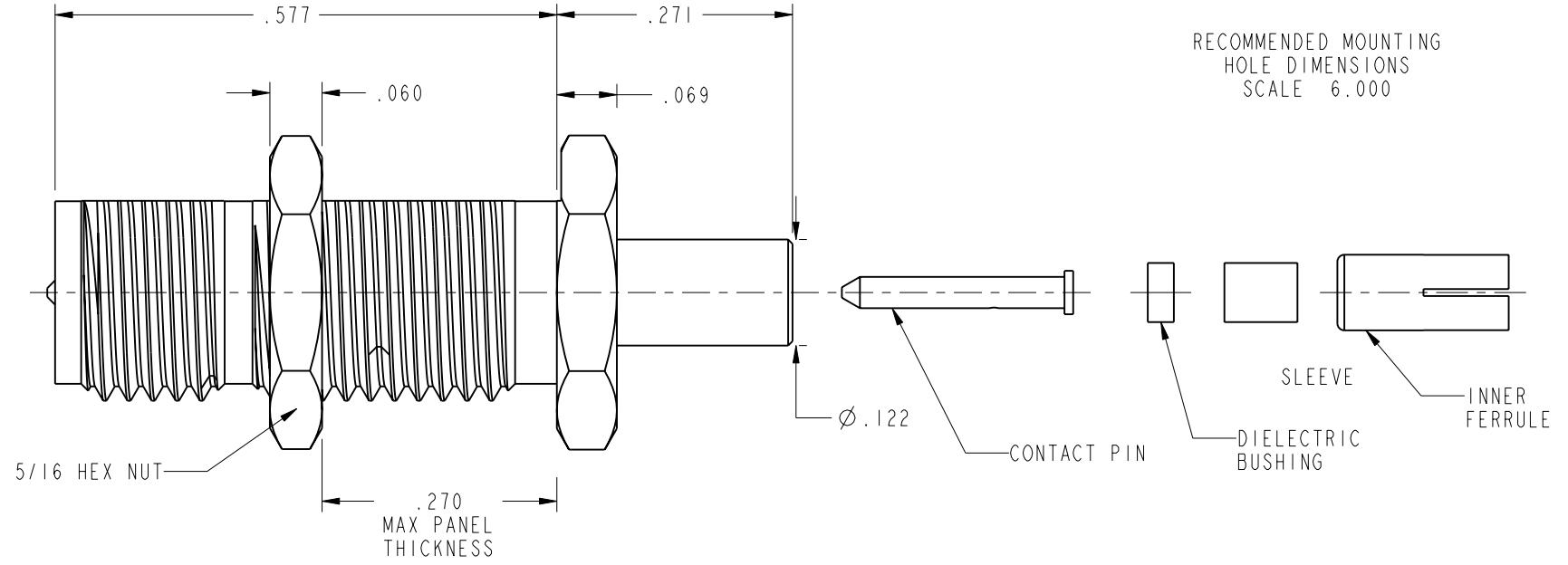
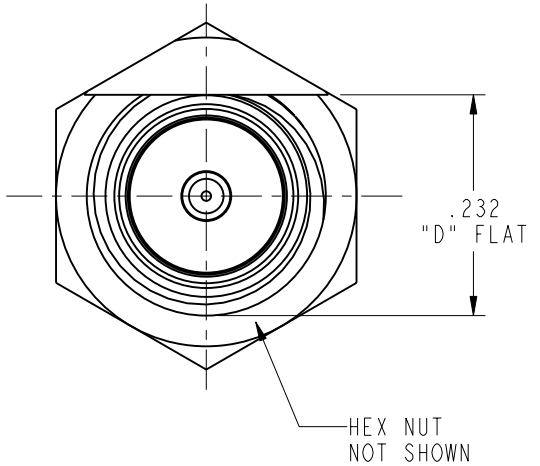
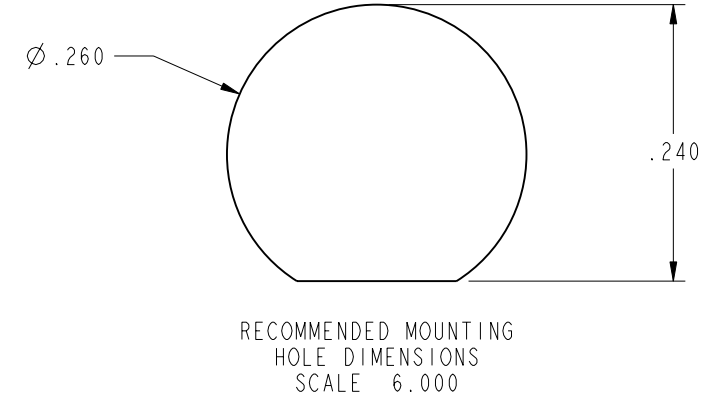
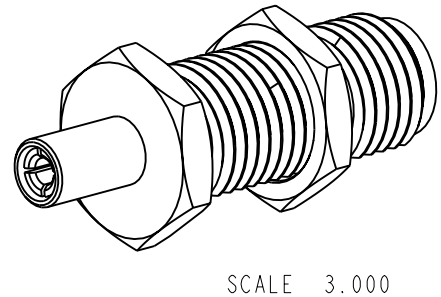
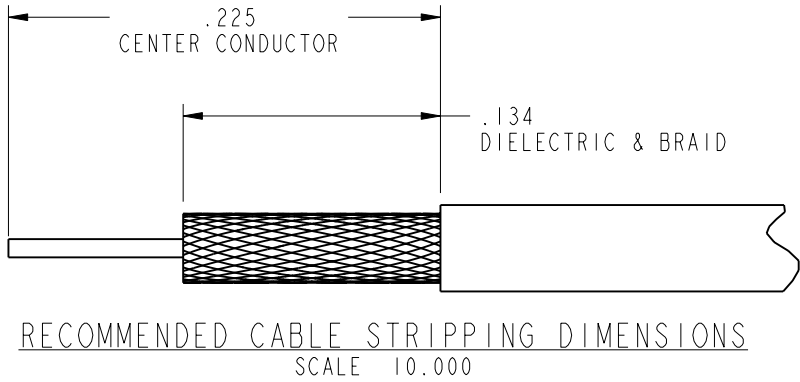


- NOTES:
- MATERIALS AND FINISHES:
 BODY - BRASS, GOLD FLASH PLATING (.000010 MIN) OVER NICKEL (.000080 MIN) OVER COPPER STRIKE
 CONTACT - BERYLLIUM COPPER, GOLD PLATING (.000030 MIN THICK)
 INSULATOR - PTFE
 - ELECTRICAL:
 A. IMPEDANCE: 50 OHM
 B. FREQUENCY RANGE: DC - 3 GHz
 C. VSWR(RETURN LOSS): 1.28 (18.22 dB) MAX.
 - MECHANICAL:
 A. DURABILITY: 500 CYCLES MIN.
 B. TEMPERATURE RANGE: -65° C TO +165° C
 - PACKAGING:
 A. QUANTITY: SINGLE PACK
 B. MARKING: BAG TO BE MARKED
 "AMPHENOL, 901-10129, AND DATE CODE"
 - ASSEMBLY:
 A. STRIP CABLE TO DIMENSIONS SHOWN
 B. INSERT THROUGH INNER FERRULE, AND PEEL BRAID BACK, OVER INNER FERRULE
 C. INSTALL BRASS SLEEVE, THEN INSULATOR BUSHING OVER CABLE DIELECTRIC,
 BOTTOMING ON INNER FERRULE
 D. LEAD FREE SOLDER CONTACT TO CABLE CENTER CONDUCTOR, BOTTOMING ON INSULATOR
 E. INSERT CABLE INTO CONNECTOR UNTIL IT BOTTOMS
 F. CRIMP BODY OVER INNER FERRULE USING .105 HEX

901-10129		REVISIONS			
DRAWING NO.	REV	DESCRIPTION	DATE	ECO	APPR
THIRD ANGLE PROJ.	A	RELEASE TO MFG.	12/11/03	44734	JML
	B	CABLE STRIP .225 WAS .350, .134 WAS .256	9/10/04	45140	CPM



CUSTOMER OUTLINE DRAWING
 ALL OTHER SHEETS ARE FOR INTERNAL USE ONLY

UNLESS OTHERWISE SPECIFIED, DIMENSIONS ARE IN INCHES AND TOLERANCES ARE: 2 PLACE DECIMAL ±.015 (0,381 mm) 3 PLACE DECIMAL ±.005 (0,127 mm) ANGLES ± 1°	MATERIAL SEE NOTES	DRAWN J LEBLANC	DATE 10/17/03	TITLE REVERSE POLARITY SMA BULKHEAD TO 1.13 MM CABLE	Amphenol RF Danbury, CT, USA Tainan, Taiwan Shenzhen, China www.amphenolrf.com
	REFERENCE EAR# 1144 GEN# ASSYF65_SMA 615X-1989-100	ENGINEER J LEBLANC	DATE 10/17/03		
NOTICE - These drawings, specifications, or other data (1) are, and remain the property of Amphenol Corp. (2) must be returned upon request; and (3) are confidential and not to be disclosed to any person other than those to whom they are given by Amphenol Corp. The furnishing of these drawings, specifications, or other data by Amphenol Corp., or to any other person to anyone for any purpose is not to be regarded by implication or otherwise in any manner licensing, granting rights or permitting such holder or any other person to manufacture, use or sell any product, process or design, patented or otherwise, that may in any way be related to or disclosed by said drawings, specifications, or other data.		CAD FILE I:\SMA\901-10129	CODE ID 74868	DWG SIZE B	DRAWING NO. 901-10129
					REV B