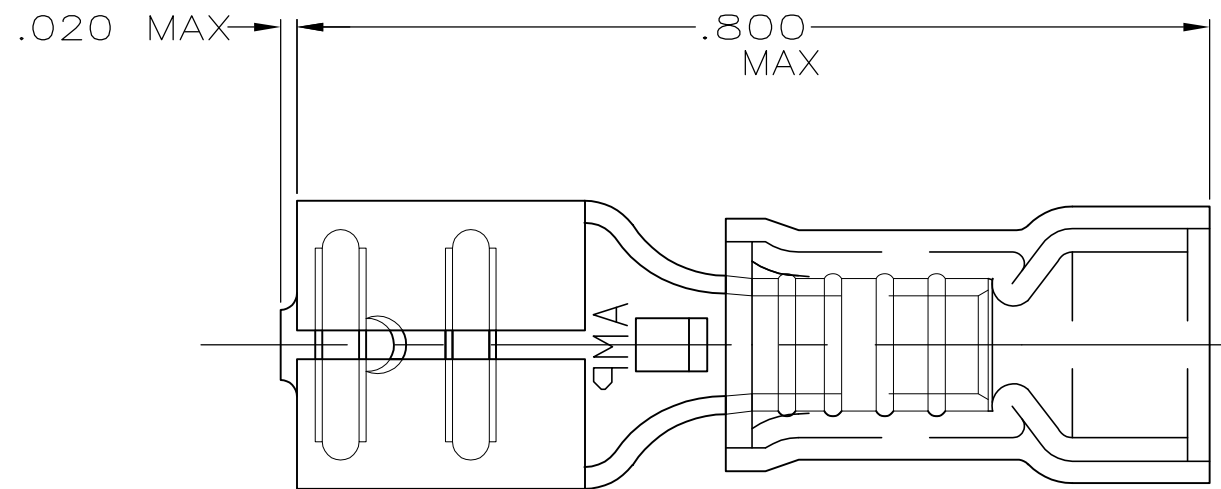
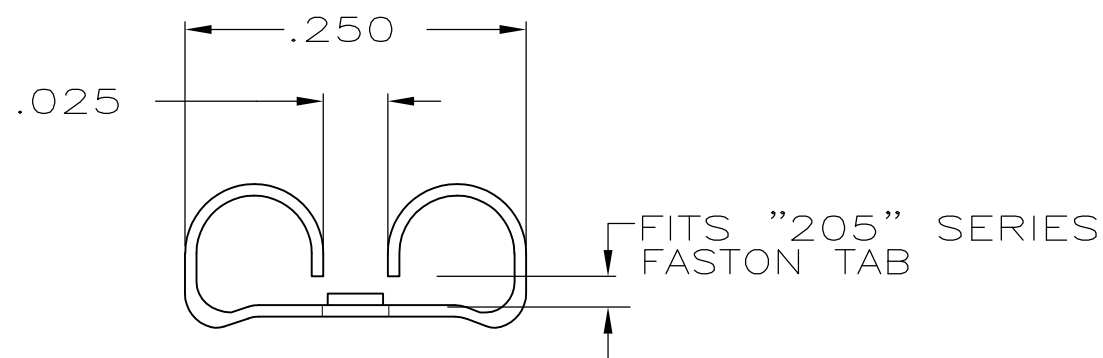
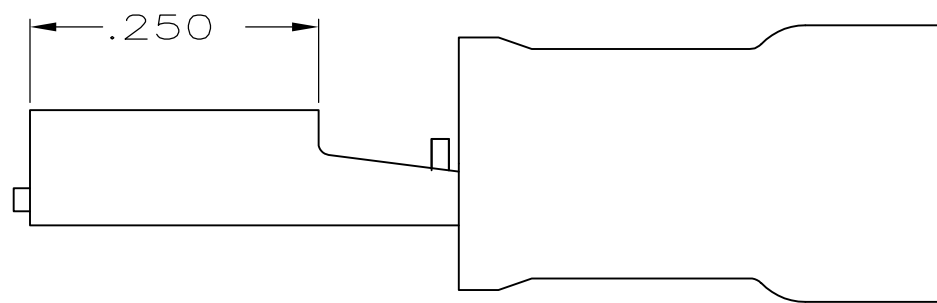


THIS DRAWING IS UNPUBLISHED. RELEASED FOR PUBLICATION
 © COPYRIGHT - By - ALL RIGHTS RESERVED.

LOC	DIST	REVISIONS					
		P	LTR	DESCRIPTION	DATE	DWN	APVD
G	14		G1	REVISED PER ECO-11-004917	11MAR11	RK	HMR



- 1. INSULATION DIA .170 MAX
- 2. FITS TAB .020 THK



QTY	PACKAGE TYPE	PART NO
100	LOOSE PC,BOX	8-640913-1
-	TAPE MOUNTED	640913-2
-	LOOSE PIECE	640913-1

AMP INCORPORATED CUSTOMER SERVICE SYSTEM		MAX RECOMMENDED OPERATING TEMPERATURE: -	THIS DRAWING IS A CONTROLLED DOCUMENT.		DWN L OLMEDA 26JUN95	TE Connectivity RECEPTACLE, 205 SERIES, FASTON, PIDG, WIRE SIZE,16-14 AWG			
FOR ADDITIONAL PRODUCT INFORMATION OR COPIES OF DRAWINGS AND TECHNICAL DOCUMENTS	PRODUCT INFORMATION CENTER 1-800-522-6752	VOLTAGE RATING: -	DIMENSIONS: INCHES	TOLERANCES UNLESS OTHERWISE SPECIFIED:	CHK M ELLIS 26JUN95				NAME
FOR APPLICATION TOOLING INFORMATION	TOOLING ASSISTANCE CENTER 1-800-722-1111	CIRCULAR MIL AREA: -		0 PLC ± - 1 PLC ± - 2 PLC ± .015 3 PLC ± - 4 PLC ± - ANGLES ± -	APVD B BARE 26JUN95	APPLICATION SPEC			
FOR ORDER ENTRY	1-800-526-5142			MATERIAL BODY,BRASS .016 SLV,NYLON,COLOR,BLUE	FINISH BODY,TIN	PRODUCT SPEC	SIZE A3	CAGE CODE 00779	DRAWING NO C-640913
CUSTOMER DRAWING					WEIGHT -	SCALE NTS	SHEET 1 OF 1	REV G1	