



Illuminable selector switch, 22 mm, round, metal shiny, black, Selector switch short, 2 switch positions O<1, momentary contact type, Actuating angle 45°, 10:30h/12h

| | |
|-------------------------------------------------------|-------------------------------------------------------------------|
| product brand name | SIRIUS ACT |
| product designation | Selector switches |
| design of the product | Actuating/signaling element |
| product type designation | 3SU1 |
| product line | Metal, shiny, 22 mm |
| Enclosure | |
| number of command points | 1 |
| Actuator | |
| design of the actuating element | Selector, short |
| principle of operation of the actuating element | momentary contact, 45° (10:30 h/12 h), return from center to left |
| product extension optional | |
| • light source | Yes |
| • contact module | Yes |
| color of the actuating element | black |
| material of the actuating element | plastic |
| shape of the actuating element | Handle |
| outer diameter of the actuating element | 32.3 mm |
| number of switching positions | 2 |
| actuating angle | |
| • clockwise | 45° |
| Front ring | |
| product component front ring | Yes |
| design of the front ring | standard |
| material of the front ring | Metal, high gloss |
| color of the front ring | silver |
| General technical data | |
| protection class IP | IP66, IP67, IP69(IP69K) |
| degree of protection NEMA rating | 1, 2, 3, 3R, 4, 4X, 12, 13 |
| shock resistance | |
| • according to IEC 60068-2-27 | sinusoidal half-wave 15g / 11 ms |
| vibration resistance | |
| • according to IEC 60068-2-6 | 10 ... 500 Hz: 5g |
| operating frequency maximum | 1 800 1/h |
| mechanical service life (switching cycles) typical | 1 000 000 |
| reference code according to IEC 81346-2 | S |
| Substance Prohibitance (Date) | 12/19/2016 |
| Safety related data | |
| B10 value with high demand rate according to SN 31920 | 500 000 |
| proportion of dangerous failures | |

| | |
|-----------------------------------------------------------------------------------------------|---------|
| <ul style="list-style-type: none"> with low demand rate according to SN 31920 | 20 % |
| <ul style="list-style-type: none"> with high demand rate according to SN 31920 | 20 % |
| failure rate [FIT] with low demand rate according to SN 31920 | 100 FIT |

| Ambient conditions | |
|--------------------------------------------------------------------|--------------------------------------------------------------------|
| ambient temperature | |
| <ul style="list-style-type: none"> during operation | -25 ... +70 °C |
| <ul style="list-style-type: none"> during storage | -40 ... +80 °C |
| environmental category during operation according to IEC 60721 | 3M6, 3S2, 3B2, 3C3, 3K6 (with relative air humidity of 10 ... 95%) |

| Installation/ mounting/ dimensions | |
|---------------------------------------------|---------|
| height | 32.3 mm |
| width | 32.3 mm |
| shape of the installation opening | round |
| mounting diameter | 22.3 mm |
| positive tolerance of installation diameter | 0.4 mm |
| mounting height | 28.8 mm |
| installation width | 32.3 mm |
| installation depth | 25.4 mm |

| Certificates/ approvals | |
|--------------------------|---------------------------|
| General Product Approval | Declaration of Conformity |



[Confirmation](#)



| Test Certificates | Marine / Shipping |
|-------------------|-------------------|
|-------------------|-------------------|

[Special Test Certificate](#)

[Type Test Certificates/Test Report](#)



| Marine / Shipping | other |
|-------------------|-------|
|-------------------|-------|



[Environmental Confirmations](#)

[Confirmation](#)

Further information

Information- and Downloadcenter (Catalogs, Brochures,...)

<https://www.siemens.com/ic10>

Industry Mall (Online ordering system)

<https://mall.industry.siemens.com/mall/en/en/Catalog/product?mlfb=3SU1052-2BC10-0AA0>

Cax online generator

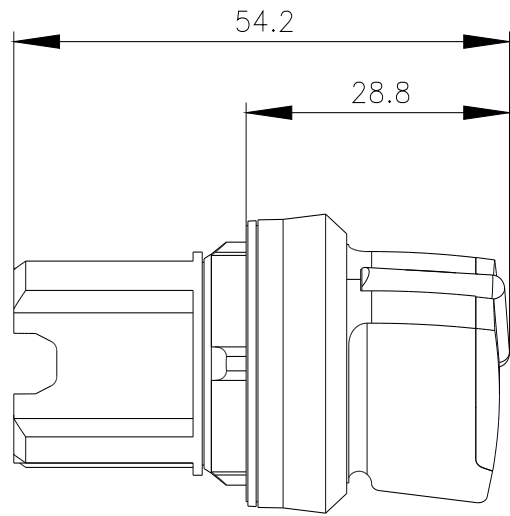
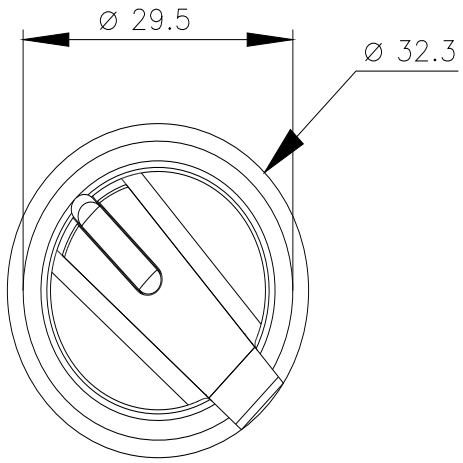
<http://support.automation.siemens.com/WW/CAXorder/default.aspx?lang=en&mlfb=3SU1052-2BC10-0AA0>

Service&Support (Manuals, Certificates, Characteristics, FAQs,...)

<https://support.industry.siemens.com/cs/ww/en/ps/3SU1052-2BC10-0AA0>

Image database (product images, 2D dimension drawings, 3D models, device circuit diagrams, EPLAN macros, ...)

http://www.automation.siemens.com/bilddb/cax_de.aspx?mlfb=3SU1052-2BC10-0AA0&lang=en



last modified:

1/26/2022 