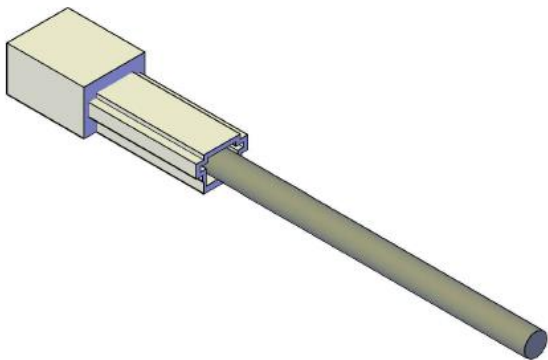
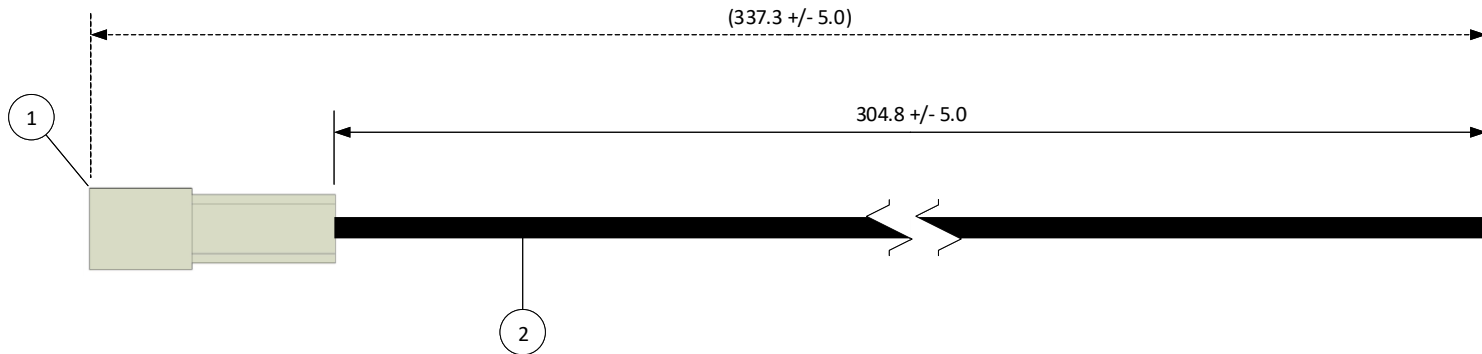


THIS DRAWING CONTAINS INFORMATION THAT IS PROPRIETARY TO J.S.T. AND SHALL NOT BE USED OR SHOWN WITHOUT WRITTEN PERMISSION.

	4		3		2		1	
ITEM	CONNECTOR PART NO.	DESCRIPTION	IPI CHECK	EOR CHECK	Applicable Tooling			
1	RSFR-1VF	RSF CONNECTOR WHITE HOUSING, W-W			APPLICATOR			
2	SIM-51T-250N	TAB-IN TERMINAL – BRASS, TIN-PLATED						
3	UL1015, 16 AWG	BLACK						

D
C
B
A

D
C
B
A



SCALE 1:1	CUSTOMER NAME	CUSTOMER PART NO.
DIMENSIONS All dimensions are in MM with a tolerance of +/- 3.0 unless otherwise specified.	DESCRIPTION 12" INSIDE LENGTH – 1 POSITION, LIF, POS LOCK, .250, W-W INSULATED RECTP W/BLUNT LEADS, WHITE HSG MATES W/W-W PLUG 01 RSFP16K305S	
DRAWN BY STEVEN PILKINGTON	ASSEMBLY PART NO. A01RSFR16K305S	
CHECKED BY JUSTIN BAKER	DRAWING NO. & REVISION GAM-117	REVISED 3/11/2016

REV.	DESCRIPTION	DATE	BY

4

3

2

1