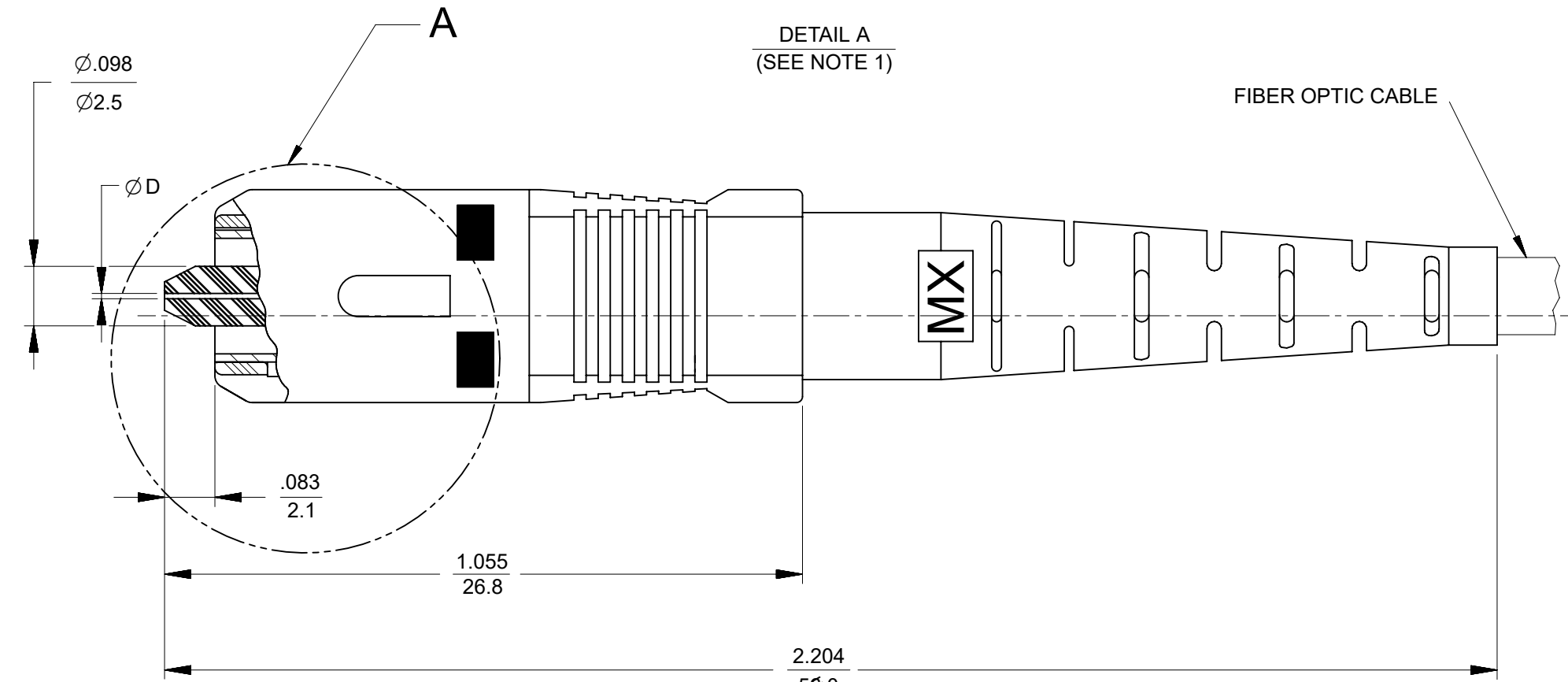
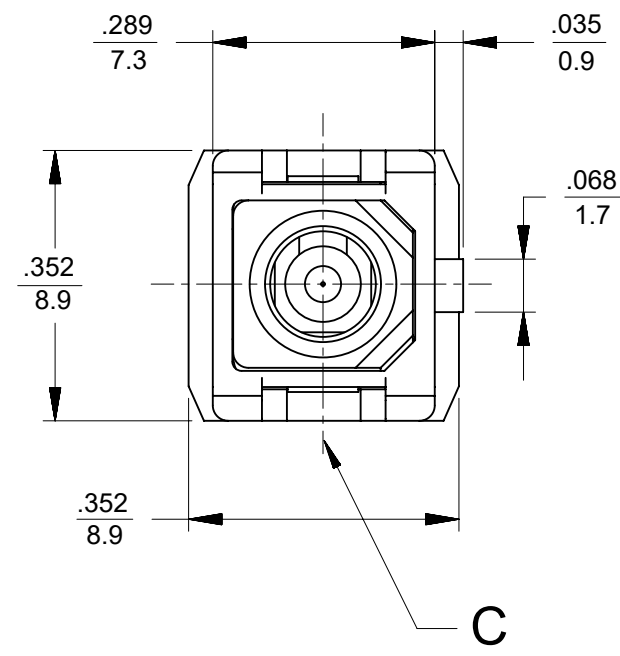
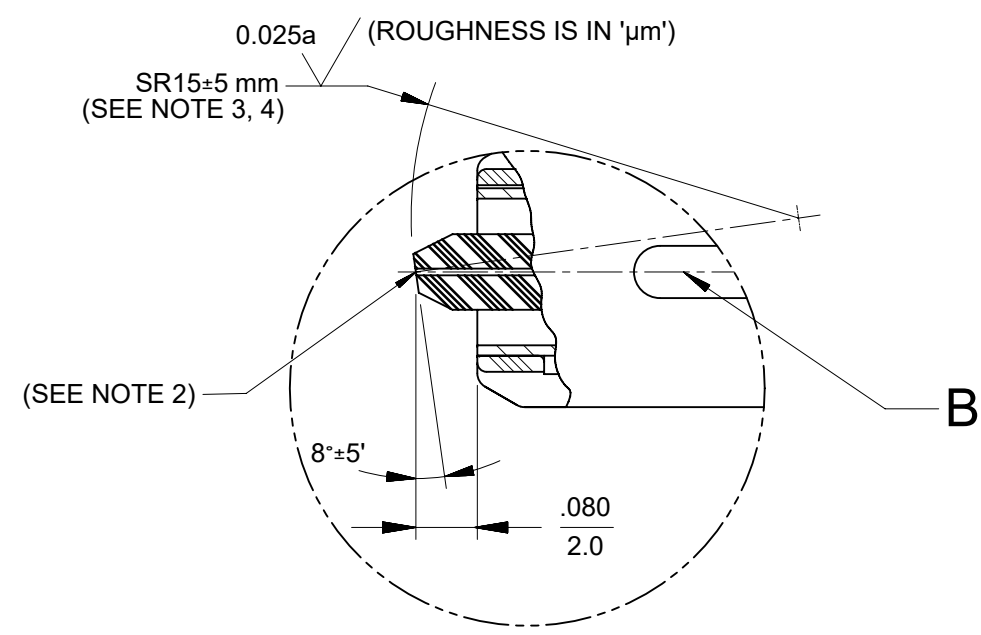


CONNECTOR P/N	ØD (µm)	FIBER OPTIC CABLE SIZE(mm)
106033-2000	125.5 ^{+1.0} / _{-0.0}	3.0
106033-2100		1.6 SIMPLEX
106033-2900		2.0&1.6 DUPLEX



- NOTES:
1. ANGLE POLISHING IS ACCOMPLISHED AFTER CONNECTOR IS TERMINATED WITH FIBER AND TUNED.
 2. FIBER EXTENSION SHALL BE ±50nm.
 3. THE APEX OFFSET OF THE SPHERICAL ENDFACE TO THE AXIS OF THE FERRULE SHALL BE LESS THAN 50 µm.
 4. CENTER OF SR 15±5 mm MUST LIE IN THE PLANE FORMED BY AXES "B" AND "C" . MAXIMUM DEVIATION ±.05 mm.

PRE-RELEASE
REFERENCE
USE ONLY

THIS DRAWING CONTAINS INFORMATION THAT IS PROPRIETARY TO MOLEX ELECTRONIC TECHNOLOGIES, LLC AND SHOULD NOT BE USED WITHOUT WRITTEN PERMISSION									
DIMENSION UNITS INCH		SCALE 4:1		CURRENT REV DESC: REMOVED OBSOLETE PART NUMBER AS PER PCN#510806.				molex	
GENERAL TOLERANCES (UNLESS SPECIFIED)				EC NO: 733771					
		MM	INCH	DRWN: SANTHN		2023/01/27		SC APC CONNECTOR (TUNABLE)	
4 PLACES ±				CHK'D: GGA		2023/02/24		PRODUCT CUSTOMER DRAWING	
3 PLACES ±				APPR: GGA		2023/02/24		DOCUMENT NUMBER	
2 PLACES ±				INITIAL REVISION:		2005/09/29		SD-106033-XX00	
1 PLACE ±				DRWN: RPACIFICI				DOC TYPE DOC PART REVISION	
0 PLACES ±				APPR:				PSD 001 A1	
ANGULAR TOL ± 0.5°				DRAFT WHERE APPLICABLE MUST REMAIN WITHIN DIMENSIONS		THIRD ANGLE PROJECTION		DRAWING	
				SERIES		MATERIAL NUMBER		CUSTOMER	
				B-SIZE 106033		SEE TABLE		GENERAL MARKET	
								SHEET NUMBER	
								1 OF 1	