

THIS DRAWING IS UNPUBLISHED.

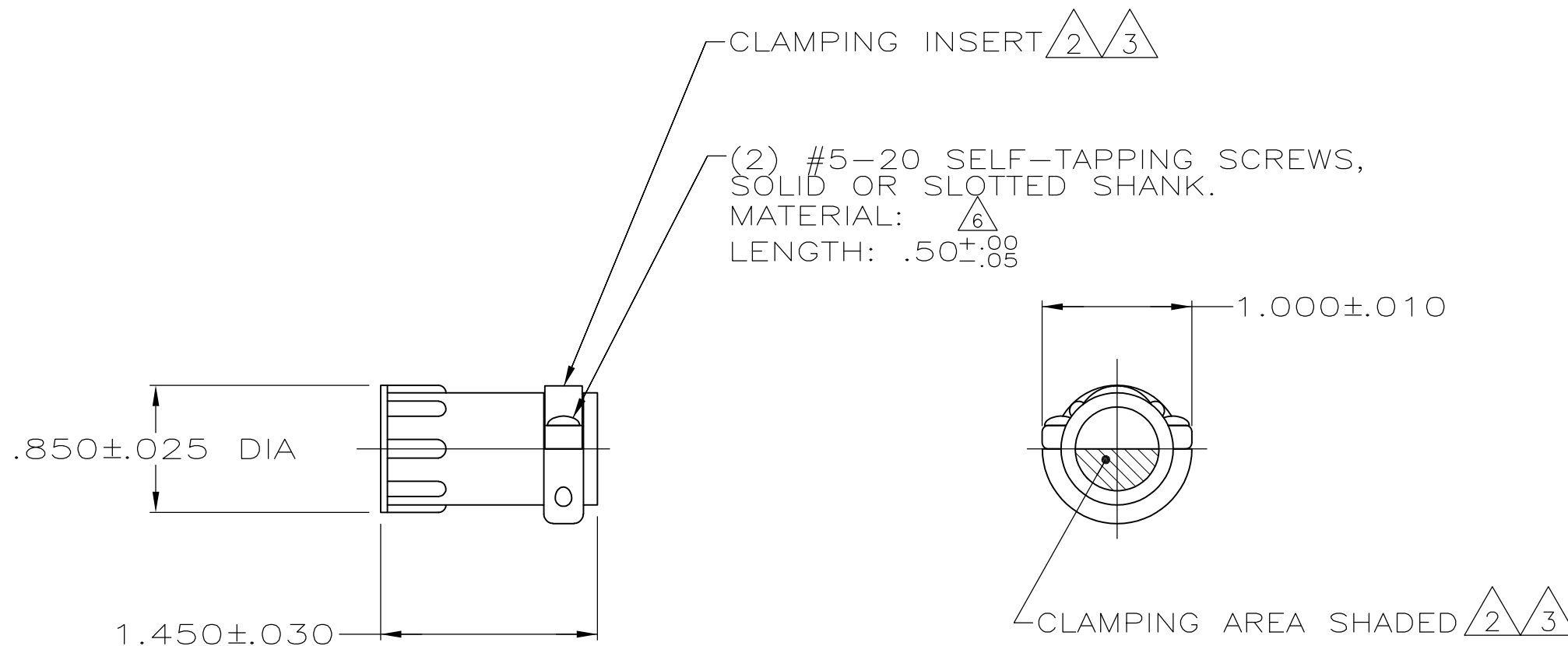
RELEASED FOR PUBLICATION

ALL RIGHTS RESERVED.

LOC
BD
DIST
0

REVISIONS

| P | LTR | DESCRIPTION | DATE | DWN | APVD |
|---|-----|---------------------------|---------|-----|------|
| | N1 | REVISED PER ECO-11-004820 | 11MAR11 | RK | HMR |



1 PARTS PACKAGED UNASSEMBLED.

$\triangle 2$ CABLE CLAMPING AREA ADJUSTABLE FROM .010 TO .161 SQ IN BY REVERSING CLAMPING INSERTS. (2 INSERTS SUPPLIED, -1 AND -2 ONLY)

$\triangle 3$ CABLE CLAMPING AREA ADJUSTABLE FROM .010 TO .161 SQ IN BY CHANGING CLAMPING INSERTS. (4 INSERTS SUPPLIED, -3 ONLY)

4 .453 MAXIMUM CABLE OUTSIDE DIAMETER.

$\triangle 5$ BULK PACKAGED KITS TO BE ORDERED IN MULTIPLES OF 200 ONLY.

$\triangle 6$ STEEL, ZINC PLATE WITH NON-HEXAVALENT CHROMATE.

| | | | |
|---------------|---------------|------------------------|-------------|
| $\triangle 6$ | $\triangle 5$ | BULK | 206358-6 |
| $\triangle 6$ | | INDIVIDUAL | 206358-5 |
| $\triangle 6$ | | INDIVIDUAL | 206358-4 |
| | | OBSOLETE | |
| $\triangle 5$ | $\triangle 5$ | BULK | 206358-3 |
| $\triangle 5$ | $\triangle 5$ | BULK | 206358-2 |
| $\triangle 6$ | | SUPERSEDED BY 206358-6 | |
| $\triangle 6$ | | SUPERSEDED BY 206358-5 | |
| | | INDIVIDUAL | 206358-1 |
| | | PACKAGING | PART NUMBER |

| | | | | | |
|--|--|------------------------------|---|--------------------|------------------------|
| THIS DRAWING IS A CONTROLLED DOCUMENT. | | DWN A GRAFF 4/23/91 | STE TE Connectivity | | |
| DIMENSIONS: INCHES | | CHK W.G.LENKER 7-23-92 | | | |
| TOLERANCES UNLESS OTHERWISE SPECIFIED: | | APVD - | NAME CABLE CLAMP KIT, LARGE, SHELL SIZE 11, CPC | | |
| 0 PLC $\pm -$ | | PRODUCT SPEC 108-10024 | APPLICATION SPEC | | |
| 1 PLC $\pm -$ | | APVD - | SIZE A3 | CAGE CODE 00779 | DRAWING NO C-206358 |
| 2 PLC $\pm -$ | | WEIGHT - | RESTRICTED TO - | | |
| 3 PLC $\pm -$ | | | SCALE NTS | | |
| 4 PLC $\pm -$ | | | SHEET 1 OF 1 | | |
| ANGLES $\pm -$ | | | REV N1 | | |
| FINISH - | | CUSTOMER DRAWING | | | |