

MATERIALS AND FINISHES:

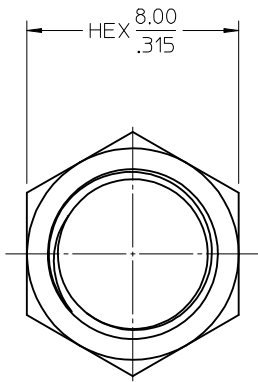
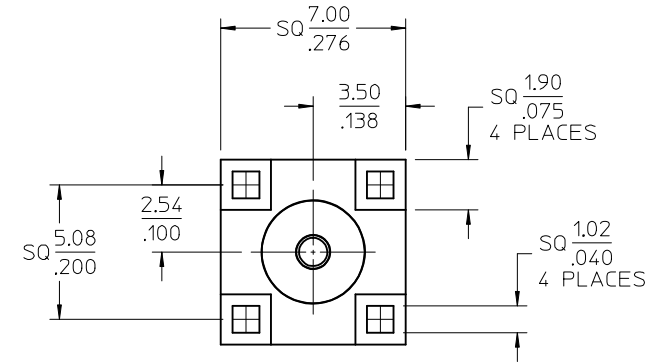
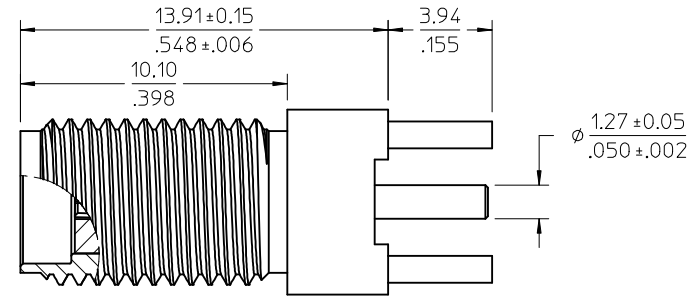
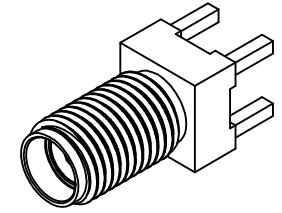
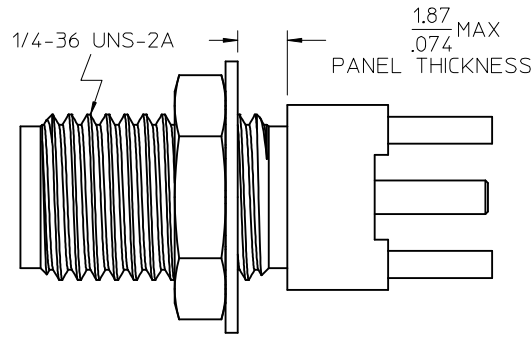
BODY: BRASS
PLATED NICKEL

CENTER CONTACT: BERYLLIUM COPPER
PLATED GOLD

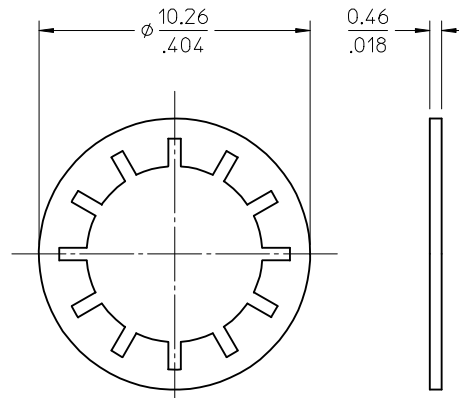
INSULATOR: TEFLON

JAM NUT: BRASS
PLATED GOLD

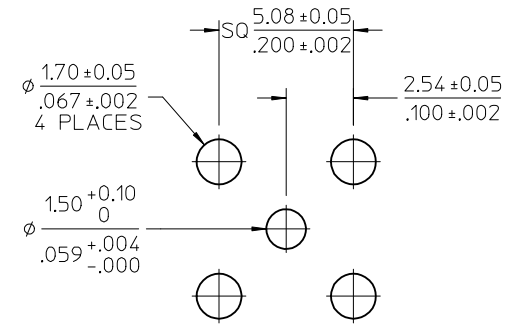
LOCK WASHER: PHOSPHOR BRONZE
PLATED GOLD



JAM NUT



LOCKWASHER



RECOMMENDED MOUNTING HOLE

73251-6761	WITH JAM NUT & LOCK WASHER / TRAY PACKING
73251-6760	WITHOUT JAM NUT & LOCK WASHER / TRAY PACKING
PART NO.	DESCRIPTION

PS-89675-3460	ELEC/MECH PERFORMANCE
MIL-STD-348A, FIG. 310.2	INTERFACE
SPECIFICATION	DESCRIPTION

CHG:NEW RELEASE PER PDR15082035	EC NO: URF2016-0131	DRW:RYEH 2015/08/05	CHKD: YCHENG 2015/08/21	APPR: YCHENG 2015/08/21	DESCRIPTION
REV	A				

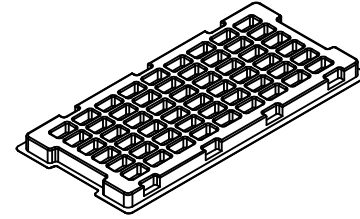
QUALITY SYMBOLS	GENERAL TOLERANCES (UNLESS SPECIFIED)
▽=0	mm INCH
▽=0	4 PLACES ± --- ± ---
▽=0	3 PLACES ± --- ± ---
	2 PLACES ± --- ± ---
	1 PLACE ± --- ± ---
	0 PLACE ± --- ± ---
	ANGULAR ± 2 °
	DRAFT WHERE APPLICABLE MUST REMAIN WITHIN DIMENSIONS

DIMENSION STYLE	SCALE	DESIGN UNITS	THIRD ANGLE PROJECTION
MM/IN	4:1	METRIC	
DRAWN BY	DATE	TITLE	
RYEH	2015/08/05	SMA JACK STR BKHD RM	
CHECKED BY	DATE	PCB TH	
KERRIE	2015/08/05	SMA-J/PCB	
APPROVED BY	DATE	molex	
YCHENG	2015/08/21	DOCUMENT NO. SD-73251-676	
MATERIAL NO.	SIZE	SHEET NO.	
SEE TABLE	C	1 OF 2	

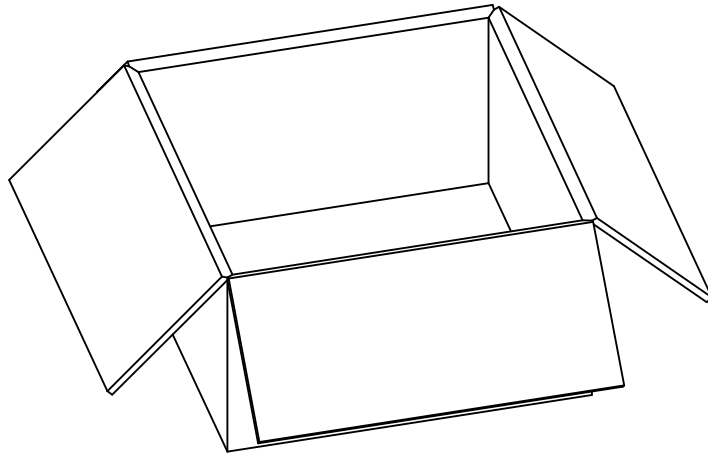
THIS DRAWING CONTAINS INFORMATION THAT IS PROPRIETARY TO MOLEX INCORPORATED AND SHOULD NOT BE USED WITHOUT WRITTEN PERMISSION	
---	--



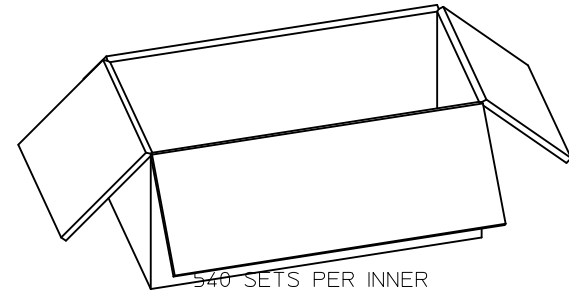
P/N: 73251-6760
 OR
 P/N: 73251-6761



54 SETS PER TRAY
 P/N: 89707-0220



1080 SETS PER OUTER
 CARTON BOX
 P/N: 96708-0005



540 SETS PER INNER
 CARTON BOX
 P/N: 96707-0001

CHG:SEE SHEET 1
 EC NO: URF2016-0131 2015/08/05
 DRW:RYEH
 CHKD:
 APPR:YCHENG 2015/08/21

REV	DESCRIPTION	QUALITY SYMBOLS
A		= 0
		= 0
		= 0

GENERAL TOLERANCES (UNLESS SPECIFIED)

	mm	INCH
4 PLACES	± .005	± .0002
3 PLACES	± .005	± .0002
2 PLACES	± .005	± .0002
1 PLACE	± .005	± .0002
0 PLACE	± .005	± .0002

ANGULAR ± 2 °

DRAFT WHERE APPLICABLE MUST REMAIN WITHIN DIMENSIONS

DIMENSION STYLE		SCALE	DESIGN UNITS	THIRD ANGLE PROJECTION
MM/IN		1:1	METRIC	
DRAWN BY	DATE	TITLE		
RYEH	2015/08/05	SMA JACK STR BKHD RM		
CHECKED BY	DATE	PCB TH		
KERRIE	2015/08/05	SMA-J/PCB		
APPROVED BY	DATE	molex		
YCHENG	2015/08/21	SD-73251-676		
MATERIAL NO.	DOCUMENT NO.	SHEET NO.		
SEE TABLE		2 OF 2		

THIS DRAWING CONTAINS INFORMATION THAT IS PROPRIETARY TO MOLEX INCORPORATED AND SHOULD NOT BE USED WITHOUT WRITTEN PERMISSION