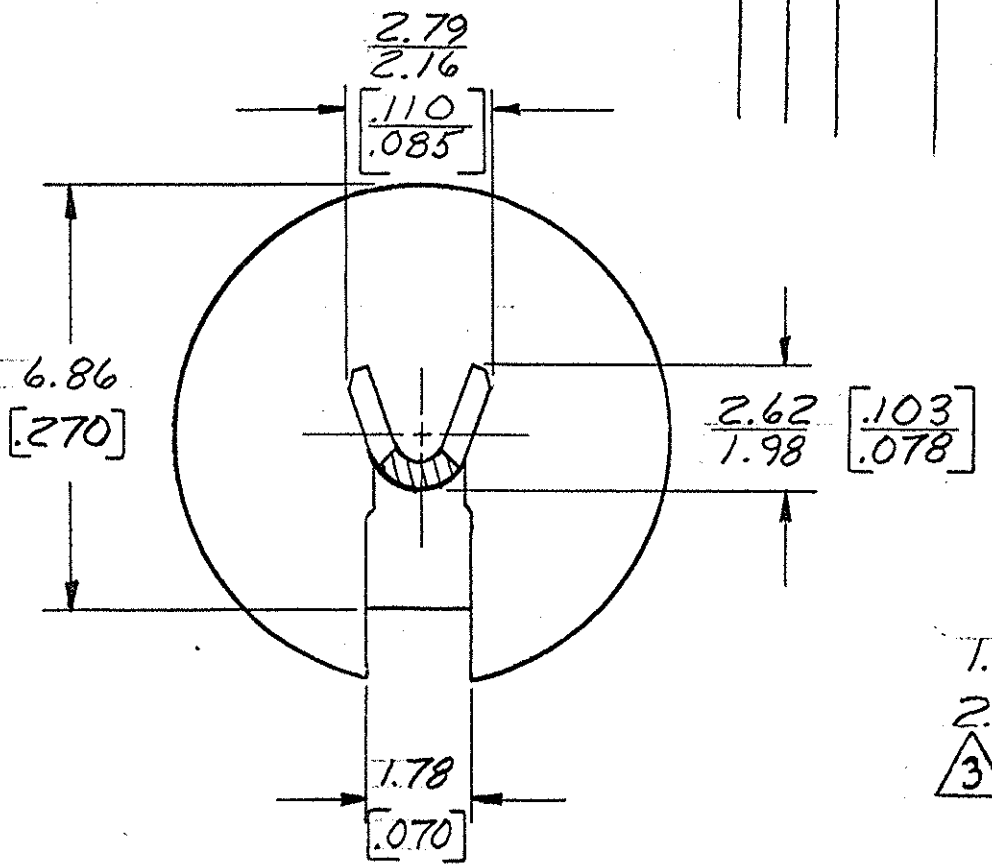
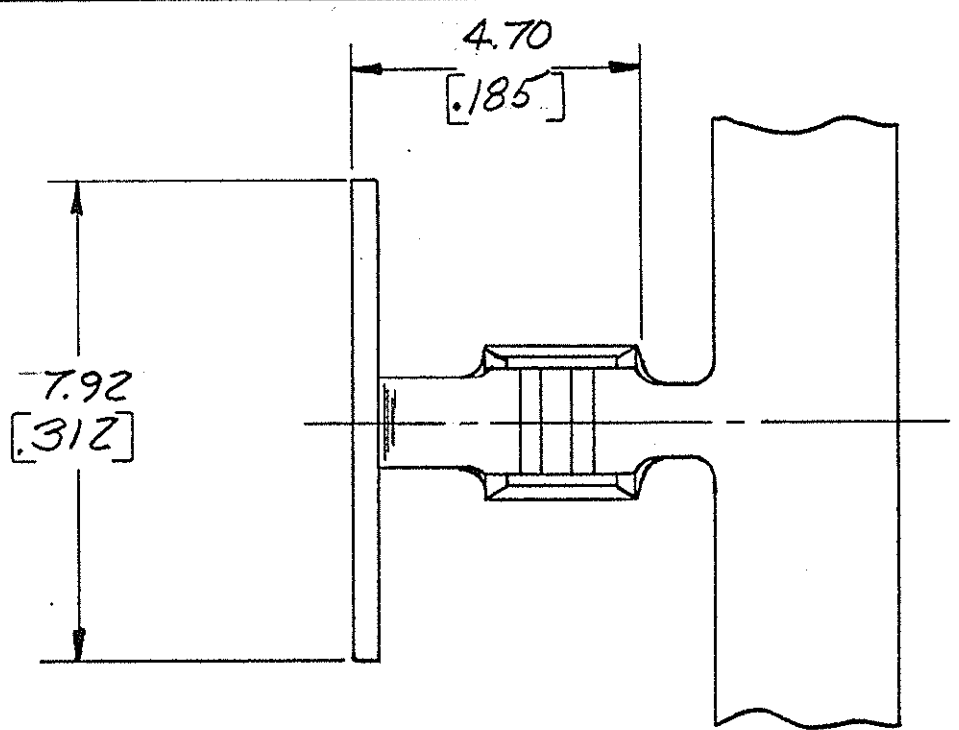
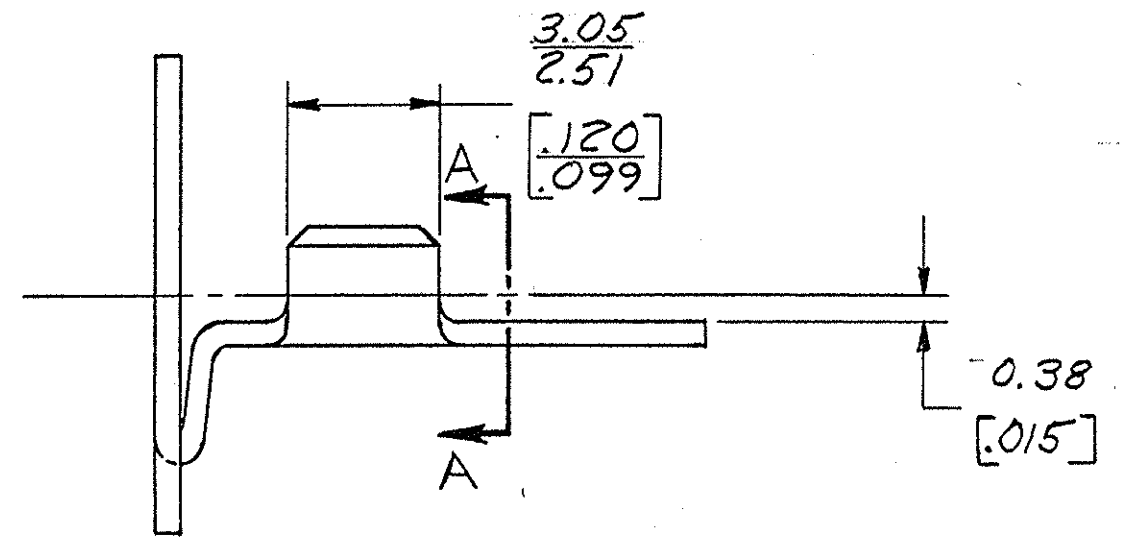


© COPYRIGHT 1980 BY AMP INCORPORATED, HARRISBURG, PA.
 ALL INTERNATIONAL RIGHTS RESERVED. AMP INCORPORATED PRODUCTS
 COVERED BY U. S. AND FOREIGN PATENTS AND/OR PATENTS PENDING.

		2		1		LOC AF	DIST 50
REVISIONS							
P	F	ZONE	LTR	DESCRIPTION	DATE	APPROVED	
		A1	A	ADDED - 2 PER ECR-06-010726	4-5-06	MSF/RAL	



SECT A-A



- 1. DIMS. IN BRACKETS ARE IN INCHES
- 2. CONTINUOUS STRIP ON REELS.
- 3. PRELIMINARY - NOT FOR PRODUCTION.

PRE-TIN	0.2-0.6 mm ² [#24 - #20]	63020-2/3
NONE	0.2-0.6 mm ² [#24 - #20]	63020-1
FINISH	WIRE RANGE	PART NO

METRIC

UNLESS OTHERWISE SPECIFIED DIMENSIONS ARE IN INCHES MM TOLERANCES ON: DECIMALS ±0.38 [015] ANGLES ±	CONTRACT NO
	DRY <i>Schaffhauser</i> 4/27/80 CHK <i>G. Yetter</i> 7/7/80 APPD <i>D. Schwenk</i> 7-7-80 APPD <i>Jon Fortuna</i> 7-8-80 DSGN APPD OTHER APPD
MATERIAL 0.41 [016] BRASS	FINISH SEE TABLE

AMP AMP INCORPORATED Harrisburg, Pa.		
NAME BRUSH CONTACT		
SIZE B	CODE IDENT NO 00779	DRAWING NO 63020
SCALE	SHEET	