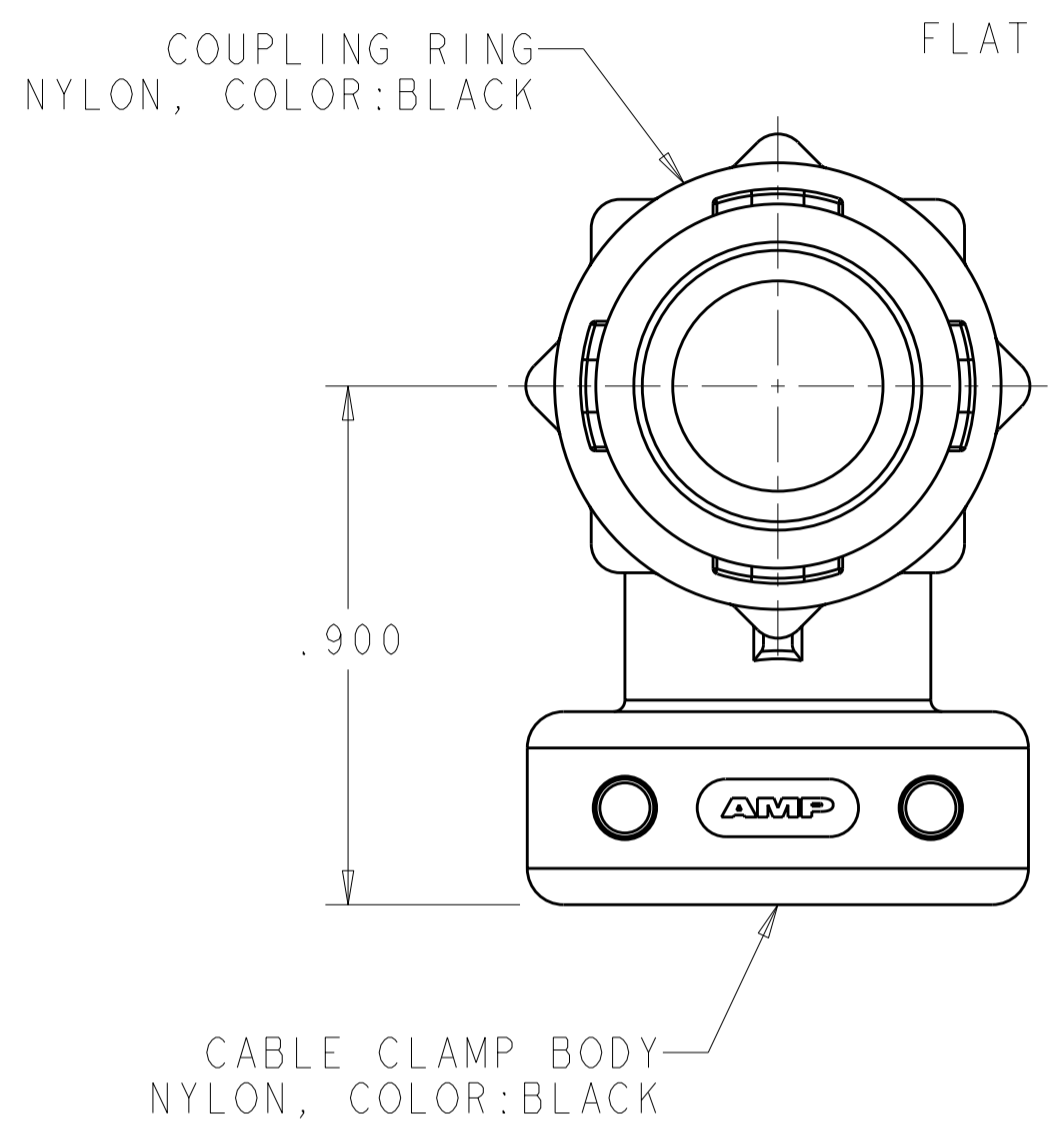


THIS DRAWING IS UNPUBLISHED. RELEASED FOR PUBLICATION  
 © COPYRIGHT 20 BY TYCO ELECTRONICS CORPORATION. ALL RIGHTS RESERVED.

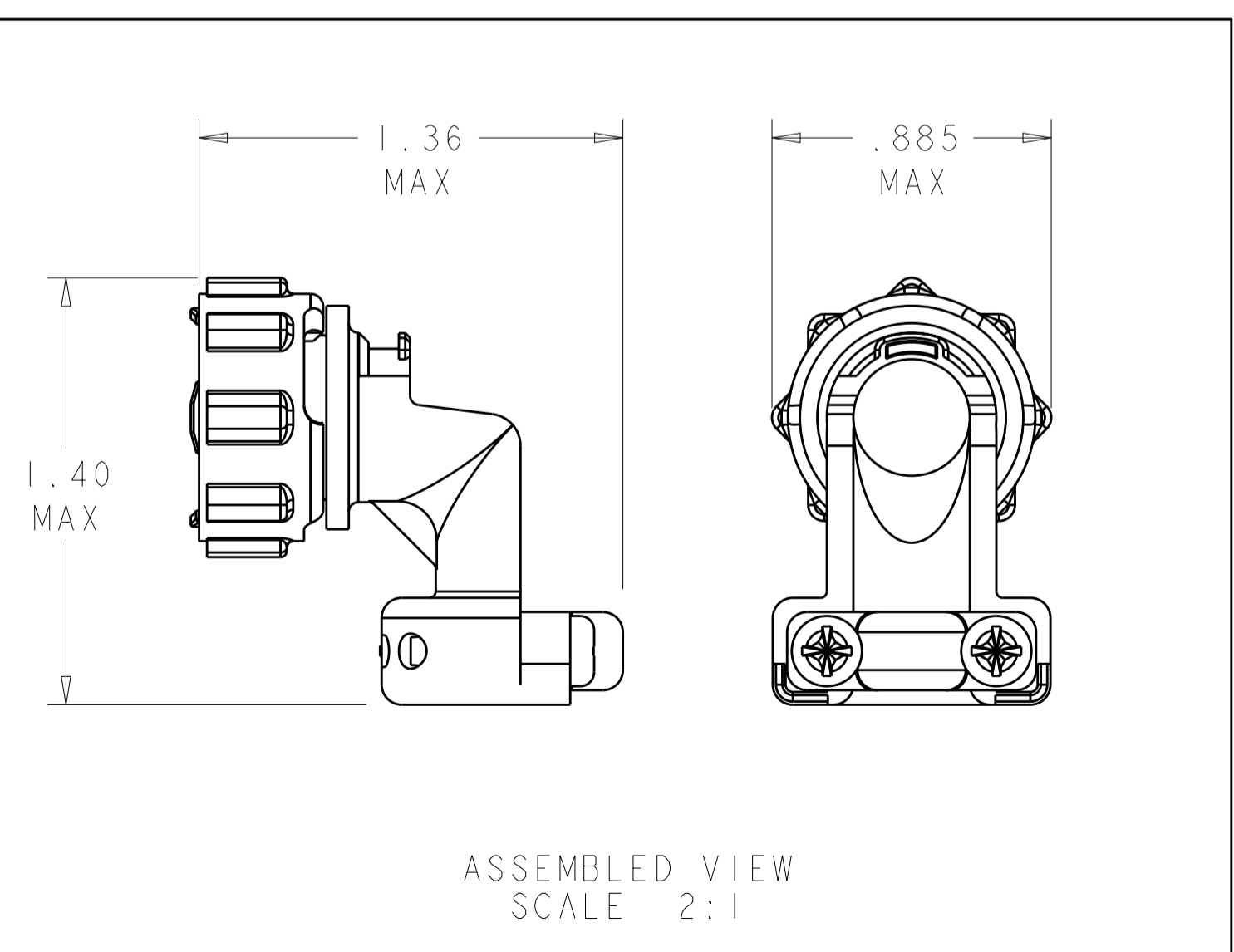
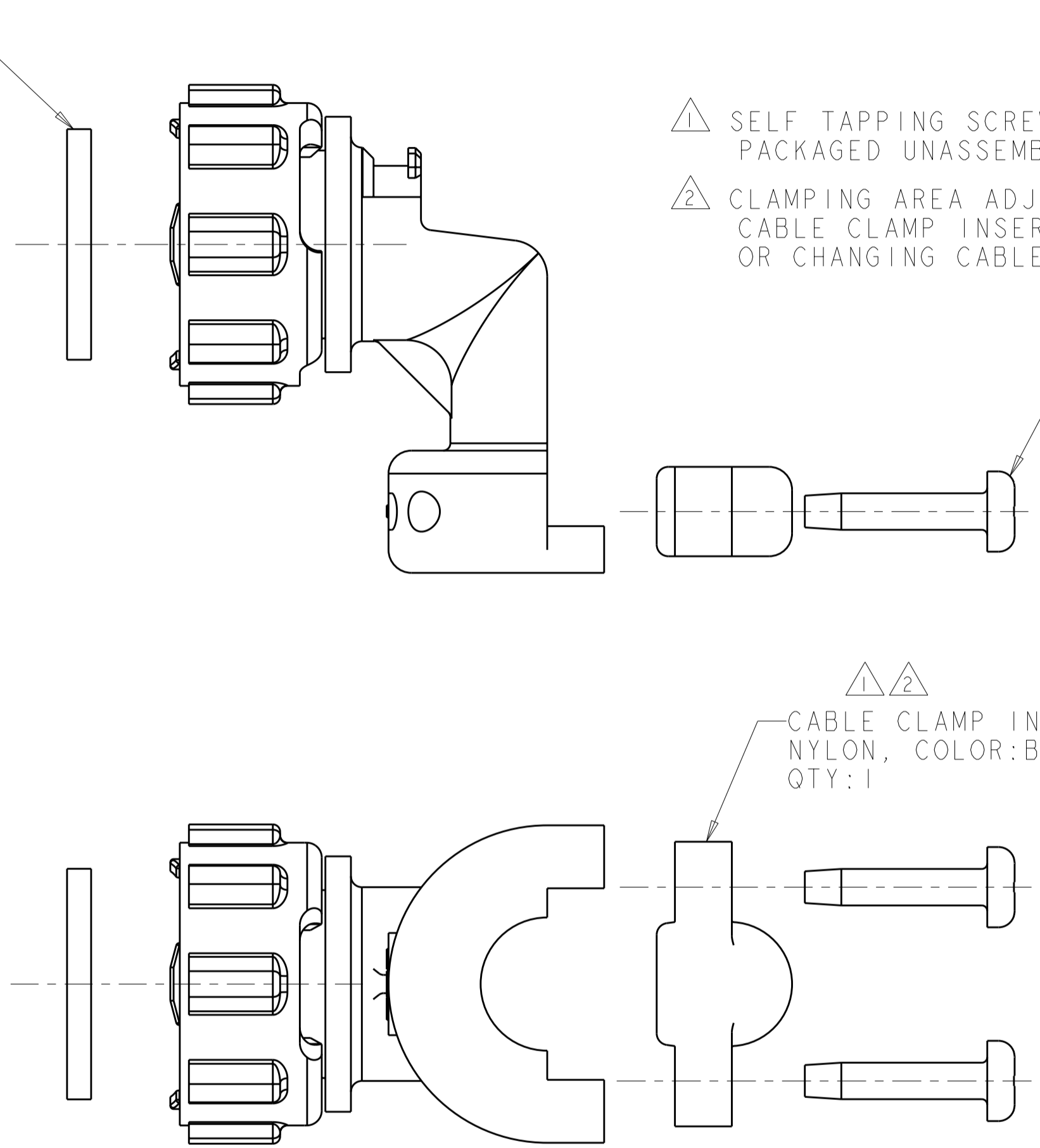
LOC	DIST	REVISIONS			
P	LTR	DESCRIPTION	DATE	DWN	APVD
FT	0	E	REVISED PER ECO-10-012730	20SEP10	HMR MG



- 1 SELF TAPPING SCREWS AND CABLE CLAMP INSERTS PACKAGED UNASSEMBLED.
- 2 CLAMPING AREA ADJUSTABLE TO .329 O.D. MAX CABLE. CABLE CLAMP INSERTS CAN BE ADJUSTED BY INVERTING OR CHANGING CABLE CLAMP INSERT.

1 5-20 SELF TAPPING SCREW  
 MATERIAL: STEEL  
 QTY: 2  
 LENGTH: .50<sup>+.00</sup><sub>-.05</sub>

1 2 CABLE CLAMP INSERT  
 NYLON, COLOR:BLACK  
 QTY: 1



	796379-2
SUPERSEDED BY -2	796379-1
	PART NUMBER

THIS DRAWING IS A CONTROLLED DOCUMENT FOR TYCO ELECTRONICS CORPORATION. IT IS SUBJECT TO CHANGE AND THE CONTROLLING ENGINEERING ORGANIZATION SHOULD BE CONTACTED FOR THE LATEST REVISION.		DWN S.WELDON 11FEB2000	AMP Incorporated Harrisburg, PA 17105-3608	
DIMENSIONS: INCHES		CHK M.CHACKO 11FEB2000	NAME CABLE CLAMP KIT, UNASSEMBLED, RIGHT ANGLE, SIZE 11, CPC	
TOLERANCES UNLESS OTHERWISE SPECIFIED:		APVD M.CHACKO 11FEB2000	PRODUCT SPEC	
0 PLC	±	APPLICATION SPEC	SCALE 3:1	
1 PLC	±	WEIGHT	SHEET 1 OF 1	
2 PLC	±	CUSTOMER DRAWING	REV E	
3 PLC	±0.005			
4 PLC	±			
ANGLES	±			
FINISH				