

# ART1K6PH; ART1K6PHG

Power LDMOS transistor

Rev. 2 — 25 March 2021

AMPLEON

Product data sheet

## 1. Product profile

### 1.1 General description

Based on Advanced Rugged Technology (ART), this 1600 W LDMOS RF power transistor has been designed to cover a wide range of applications for ISM, broadcast and communications. The unmatched transistor has a frequency range of 1 MHz to 450 MHz.

Table 1. Application information

Test signal	f (MHz)	V <sub>DS</sub> (V)	P <sub>L</sub> (W)	G <sub>p</sub> (dB)	η <sub>D</sub> (%)
CW pulsed [1][3]	108	50	1400	27.2	77.7
	108	55	1600	28.1	76.4
CW pulsed [2][3]	325	53	1520	20.2	73.6
CW [2]	325	53	1390	19.5	68.4

[1] Production circuit.

[2] Application circuit.

[3]  $t_p = 100 \mu\text{s}$ ;  $\delta = 10 \%$ .

### 1.2 Features and benefits

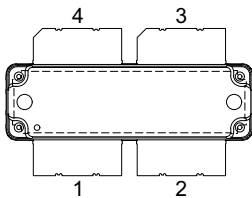
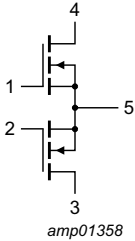
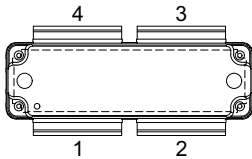
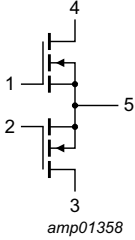
- High breakdown voltage enables class E operation at  $V_{DS} = 48 \text{ V}$
- Suitable for  $V_{DS} = 50 \text{ V}$  and  $55 \text{ V}$
- Qualified up to a maximum of  $V_{DS} = 55 \text{ V}$
- Characterized from  $30 \text{ V}$  to  $55 \text{ V}$  for extended power range
- Easy power control
- Integrated dual sided ESD protection enables class C operation and complete switch off of the transistor
- Excellent ruggedness with no device degradation
- High efficiency
- Excellent thermal stability
- Designed for broadband operation
- For RoHS compliance see the product details on the Ampleon website

### 1.3 Applications

- Industrial, scientific and medical applications
  - ◆ Plasma generators
  - ◆ MRI systems
  - ◆ CO<sub>2</sub> lasers
  - ◆ Particle accelerators
- Broadcast
  - ◆ FM radio
  - ◆ VHF TV
- Communications
  - ◆ Non cellular communications
  - ◆ UHF radar

## 2. Pinning information

Table 2. Pinning

Pin	Description	Simplified outline	Graphic symbol
<b>ART1K6PH (OMP-1230-4F-1)</b>			
1	gate1		 <p style="text-align: center;">amp01358</p>
2	gate2		
3	drain2		
4	drain1		
5	source <a href="#">[1]</a>		
<b>ART1K6PHG (OMP-1230-4G-1)</b>			
1	gate1		 <p style="text-align: center;">amp01358</p>
2	gate2		
3	drain2		
4	drain1		
5	source <a href="#">[1]</a>		

[1] Connected to flange.

### 3. Ordering information

Table 3. Ordering information

Package name	Orderable part number	12NC	Packing description	Min. orderable quantity (pieces)
OMP-1230-4F-1	ART1K6PHZ	9349 603 47517	Tray, 20-fold; dry pack	60
	ART1K6PHY	9349 603 47518	TR13; 100-fold; 56 mm; dry pack	100
OMP-1230-4G-1	ART1K6PHGZ	9349 604 28517	Tray, 20-fold; dry pack	60
	ART1K6PHGY	9349 604 28518	TR13; 100-fold; 56 mm; dry pack	100

### 4. Limiting values

Table 4. Limiting values

In accordance with the Absolute Maximum Rating System (IEC 60134).

Symbol	Parameter	Conditions	Min	Max	Unit
$V_{DS}$	drain-source voltage		-	177	V
$V_{GS}$	gate-source voltage		-6	+11	V
$T_{stg}$	storage temperature		-65	+150	°C
$T_j$	junction temperature	[1]	-	225	°C

[1] Continuous use at maximum temperature will affect the reliability, for details refer to the online MTF calculator.

### 5. Thermal characteristics

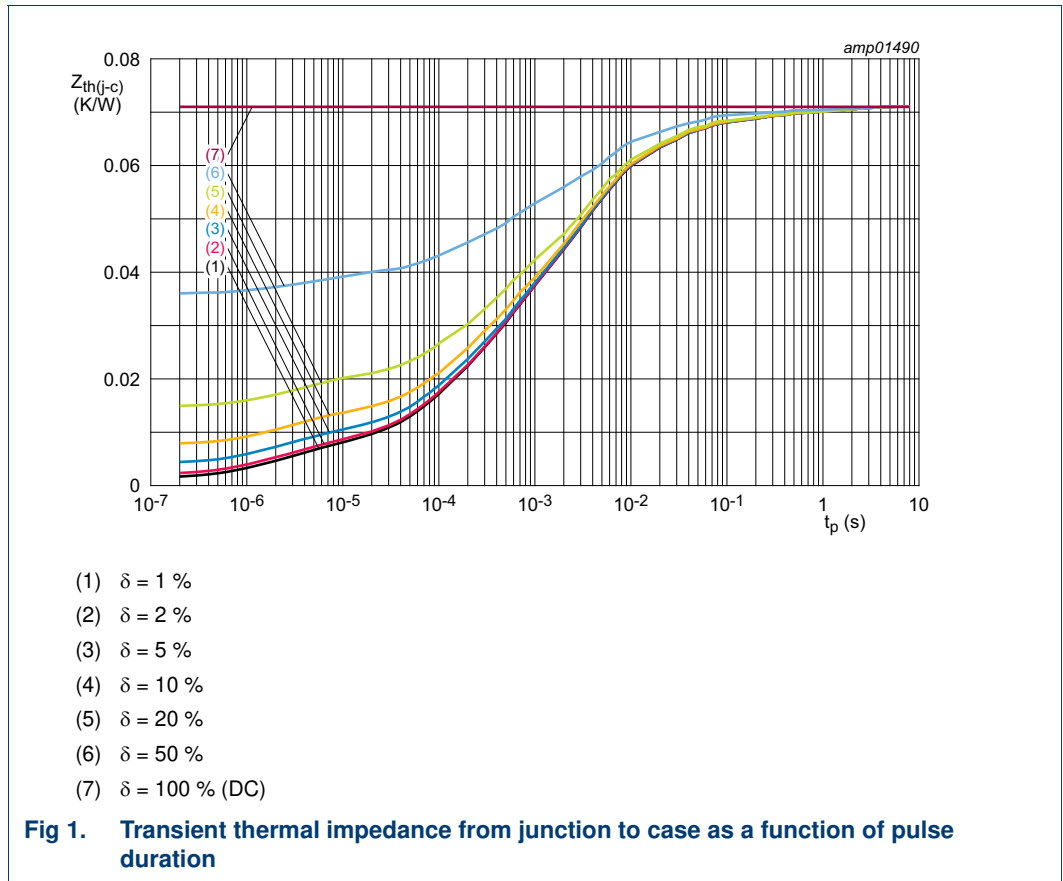
Table 5. Thermal characteristics

Symbol	Parameter	Conditions	Typ	Unit
$R_{th(j-c)}$	thermal resistance from junction to case	$T_j = 150\text{ °C}$ [1][2]	0.071	K/W
$Z_{th(j-c)}$	transient thermal impedance from junction to case	$T_j = 150\text{ °C}$ ; $t_p = 100\text{ }\mu\text{s}$ ; $\delta = 10\text{ %}$	0.02	K/W

[1]  $T_j$  is the junction temperature.

[2]  $R_{th(j-c)}$  is measured under RF conditions.

[3] See [Figure 1](#).



## 6. Characteristics

**Table 6. DC characteristics**

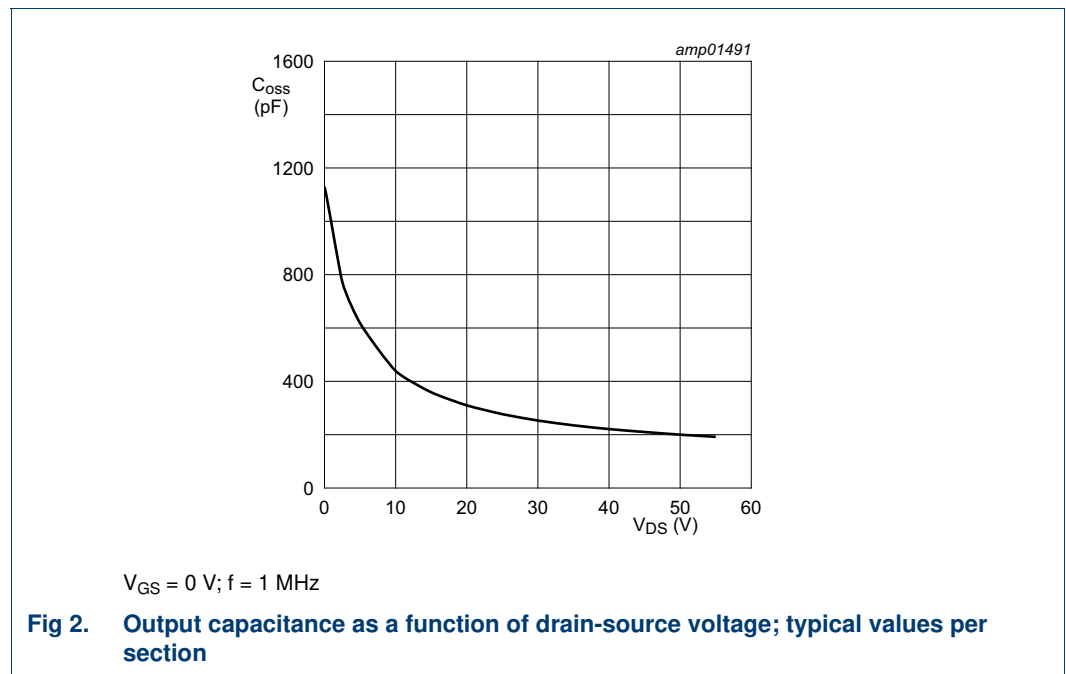
$T_j = 25\text{ }^\circ\text{C}$ ; per section unless otherwise specified.

Symbol	Parameter	Conditions	Min	Typ	Max	Unit
$V_{(BR)DSS}$	drain-source breakdown voltage	$V_{GS} = 0\text{ V}; I_D = 5.5\text{ mA}$	177	-	-	V
$V_{GS(th)}$	gate-source threshold voltage	$V_{DS} = 20\text{ V}; I_D = 550\text{ mA}$	1.5	2.1	2.5	V
$I_{DSS}$	drain leakage current	$V_{GS} = 0\text{ V}; V_{DS} = 50\text{ V}$	-	-	0.96	$\mu\text{A}$
$I_{DSX}$	drain cut-off current	$V_{GS} = V_{GS(th)} + 3.75\text{ V}; V_{DS} = 20\text{ V}$	-	76	-	A
$I_{GSS}$	gate leakage current	$V_{GS} = 11\text{ V}; V_{DS} = 0\text{ V}$	-	-	60	nA
$R_{DS(on)}$	drain-source on-state resistance	$V_{GS} = V_{GS(th)} + 3.75\text{ V}; I_D = 19.25\text{ A}$	-	0.090	-	$\Omega$

**Table 7. AC characteristics**

$T_j = 25\text{ }^\circ\text{C}$ ; per section unless otherwise specified.

Symbol	Parameter	Conditions	Min	Typ	Max	Unit
$C_{rs}$	feedback capacitance	$V_{GS} = 0\text{ V}$ ; $f = 1\text{ MHz}$				
		$V_{DS} = 50\text{ V}$	-	3.12	-	pF
		$V_{DS} = 55\text{ V}$	-	3.06	-	pF
$C_{iss}$	input capacitance	$V_{GS} = 0\text{ V}$ ; $f = 1\text{ MHz}$				
		$V_{DS} = 50\text{ V}$	-	632	-	pF
		$V_{DS} = 55\text{ V}$	-	632	-	pF
$C_{oss}$	output capacitance	$V_{GS} = 0\text{ V}$ ; $f = 1\text{ MHz}$				
		$V_{DS} = 50\text{ V}$	-	200	-	pF
		$V_{DS} = 55\text{ V}$	-	192	-	pF



**Table 8. RF characteristics**

Test signal: pulsed RF;  $t_p = 100\text{ }\mu\text{s}$ ;  $\delta = 5\%$ ;  $f = 108\text{ MHz}$ ; RF performance at  $V_{DS} = 55\text{ V}$ ;  $I_{Dq} = 50\text{ mA}$  per section;  $T_{case} = 25\text{ }^\circ\text{C}$ ; unless otherwise specified; in a class-AB production test circuit.

Symbol	Parameter	Conditions	Min	Typ	Max	Unit
$G_p$	power gain	$P_L = 1600\text{ W}$	26	27.4	-	dB
$RL_{in}$	input return loss	$P_L = 1600\text{ W}$	-	-16.1	-	dB
$\eta_D$	drain efficiency	$P_L = 1600\text{ W}$	71	74.7	-	%

## 7. Test information

### 7.1 Ruggedness in class-AB operation

The ART1K6PH and ART1K6PHG are capable of withstanding a load mismatch corresponding to  $V_{SWR} \geq 65 : 1$  through all phases under the following conditions:  $P_L = 1400 \text{ W}$  pulsed at  $V_{DS} = 50 \text{ V}$  and  $P_L = 1600 \text{ W}$  pulsed at  $V_{DS} = 55 \text{ V}$ ;  $I_{DQ} = 100 \text{ mA}$  per section;  $t_p = 100 \text{ }\mu\text{s}$ ;  $\delta = 10 \%$ ;  $f = 108 \text{ MHz}$ .

### 7.2 Impedance information

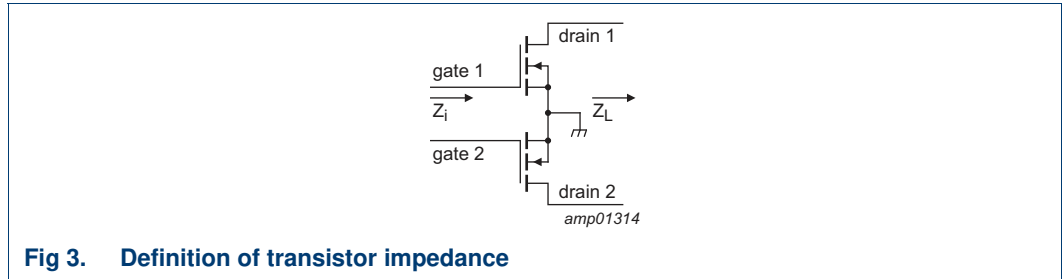


Fig 3. Definition of transistor impedance

Table 9. Typical push-pull impedance

Simulated  $Z_i$  and  $Z_L$  device impedance.

f (MHz)	$Z_i$ ( $\Omega$ )	$Z_L$ ( $\Omega$ )	$P_L$ (W)
<b><math>V_{DS} = 50 \text{ V}</math></b>			
108	$2.4 - j8.5$	$3.3 + j0.7$	1400
<b><math>V_{DS} = 55 \text{ V}</math></b>			
108	$2.4 - j8.5$	$3.5 + j0.8$	1600

7.3 Test circuit

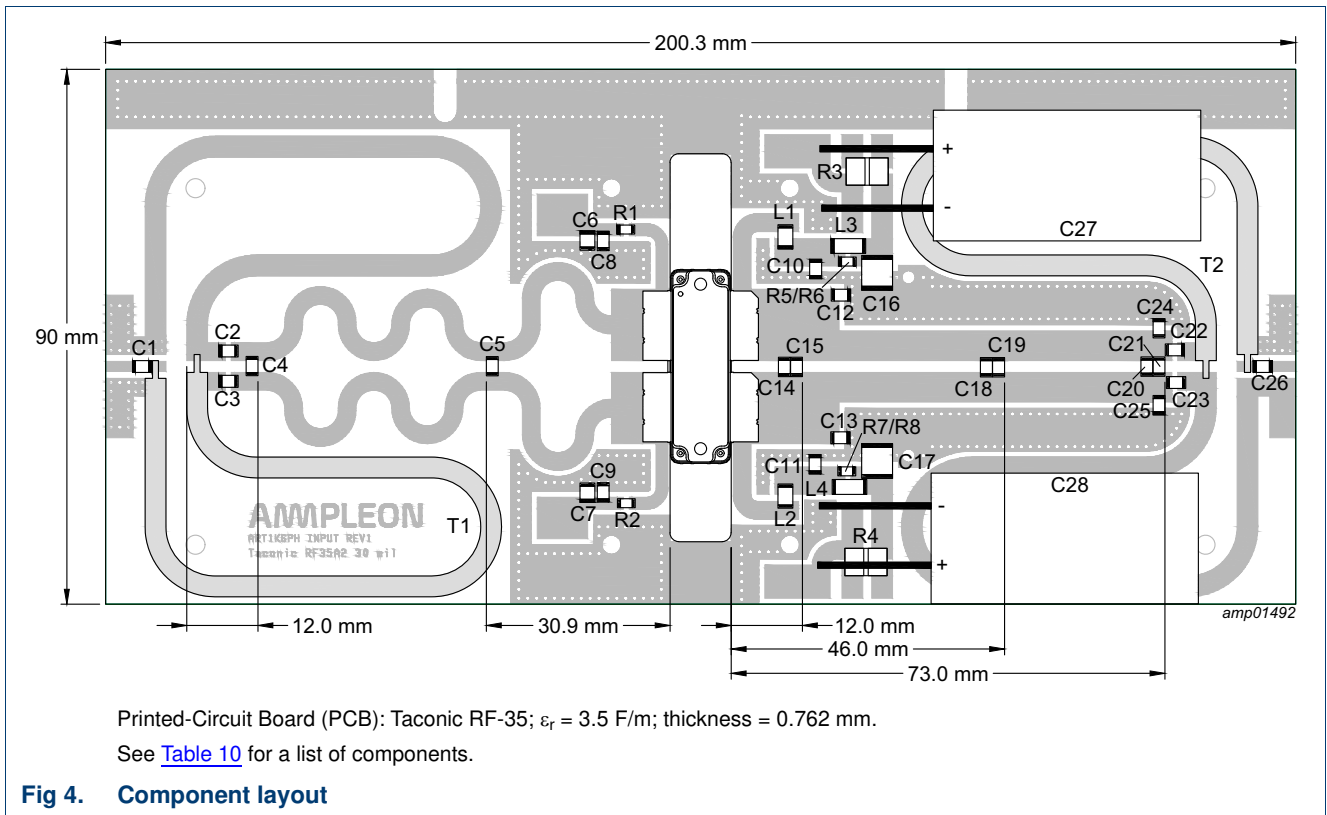


Table 10. List of components

For test circuit see [Figure 4](#).

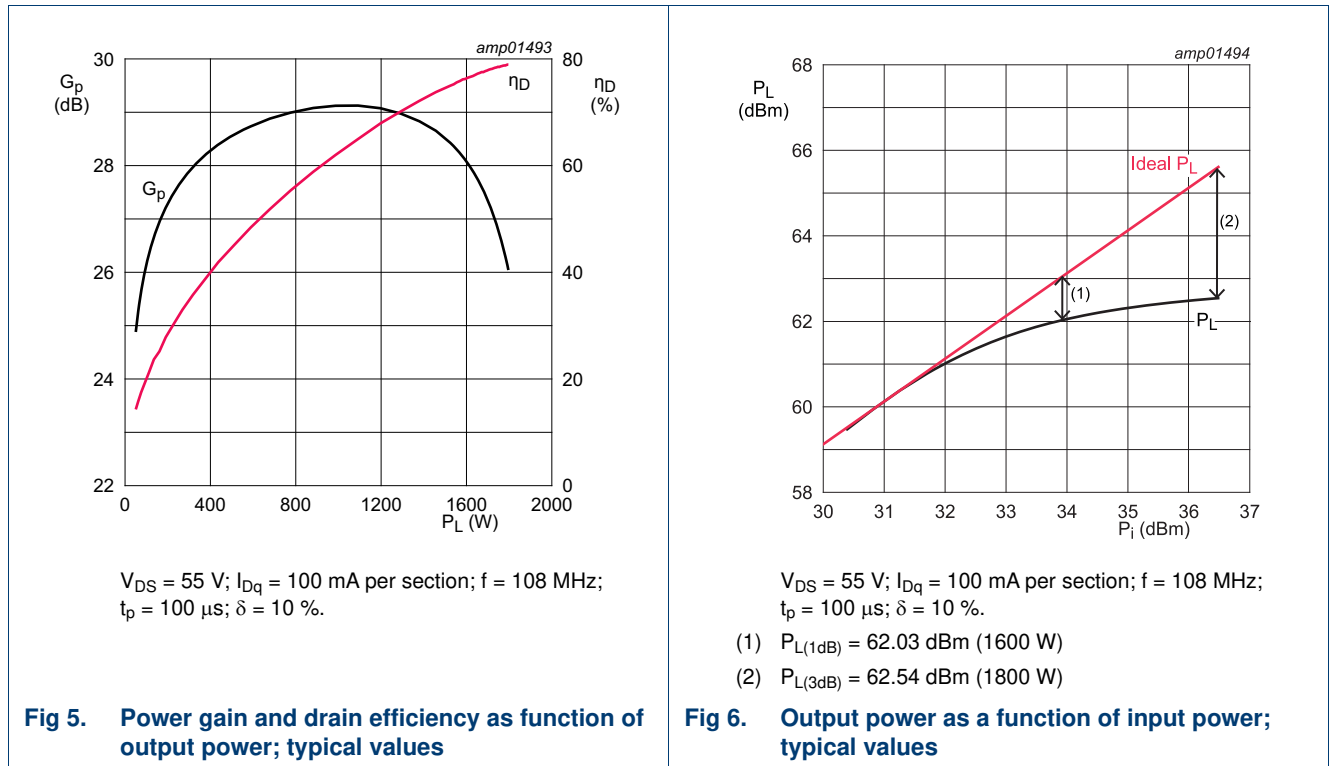
Component	Description	Value	Remarks
C1, C26	multilayer ceramic chip capacitor	470 pF	[1]
C2, C3	multilayer ceramic chip capacitor	68 pF	[1]
C4	multilayer ceramic chip capacitor	43 pF	[1]
C5	multilayer ceramic chip capacitor	300 pF	[1]
C6, C7	multilayer ceramic chip capacitor	4.7 $\mu$ F, 50 V	Murata: GRM32ER71H475KA88L
C8, C9, C10, C11	multilayer ceramic chip capacitor	920 pF	[1]
C12, C13	multilayer ceramic chip capacitor	180 pF	[1]
C14, C15	multilayer ceramic chip capacitor	39 pF	[1]
C16, C17	multilayer ceramic chip capacitor	4.7 $\mu$ F, 100 V	TDK: C5750X7R2A475KT/A
C18, C19	multilayer ceramic chip capacitor	56 pF	[1]
C20, C21	multilayer ceramic chip capacitor	51 pF	[1]
C22, C23	multilayer ceramic chip capacitor	120 pF	[1]
C24, C25	multilayer ceramic chip capacitor	20 pF	[1]
C27, C28	electrolytic capacitor	2200 $\mu$ F, 100 V	
L1, L2	air inductor	47 nH	Coilcraft: 1515SQ-47N
L3, L4	air inductor	82 nH	Coilcraft: 1515SQ-82N
R1, R2	resistor	4.7 k $\Omega$	SMD 1206

**Table 10. List of components ...continued**  
For test circuit see [Figure 4](#).

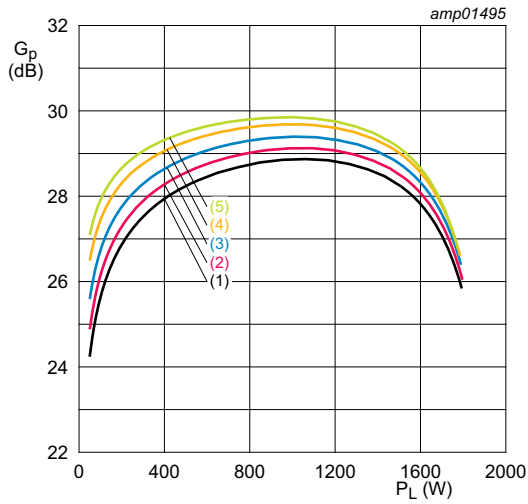
Component	Description	Value	Remarks
R3, R4	resistor	0.01 Ω	Vishay: WSHP2818
R5, R6, R7, R8	resistor	9.1 Ω	SMD 1206
T1, T2	semi rigid coax	50 Ω, 160 mm	EZ141-AL-TP/M17

[1] American Technical Ceramics type 100B or capacitor of same quality.

### 7.4 Graphical data



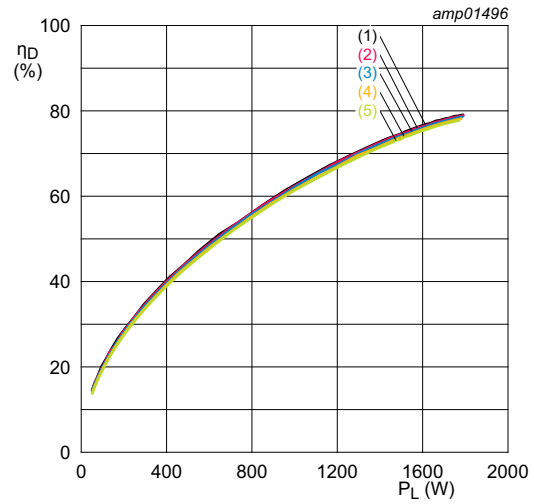




$V_{DS} = 55 \text{ V}; f = 108 \text{ MHz}; t_p = 100 \text{ }\mu\text{s}; \delta = 10 \text{ \%}$ .

- (1)  $I_{Dq} = 50 \text{ mA per section}$
- (2)  $I_{Dq} = 100 \text{ mA per section}$
- (3)  $I_{Dq} = 200 \text{ mA per section}$
- (4)  $I_{Dq} = 400 \text{ mA per section}$
- (5)  $I_{Dq} = 600 \text{ mA per section}$

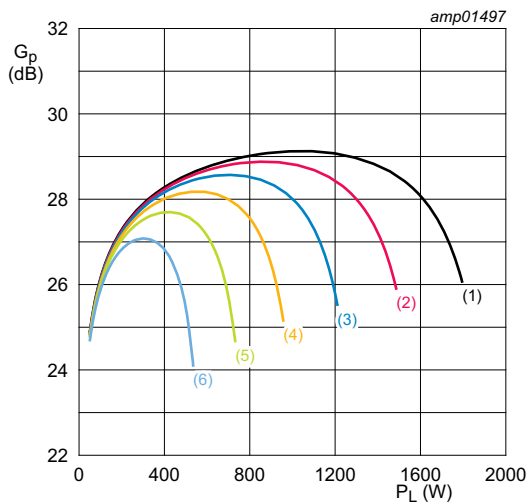
**Fig 7. Power gain as a function of output power; typical values**



$V_{DS} = 55 \text{ V}; f = 108 \text{ MHz}; t_p = 100 \text{ }\mu\text{s}; \delta = 10 \text{ \%}$ .

- (1)  $I_{Dq} = 50 \text{ mA per section}$
- (2)  $I_{Dq} = 100 \text{ mA per section}$
- (3)  $I_{Dq} = 200 \text{ mA per section}$
- (4)  $I_{Dq} = 400 \text{ mA per section}$
- (5)  $I_{Dq} = 600 \text{ mA per section}$

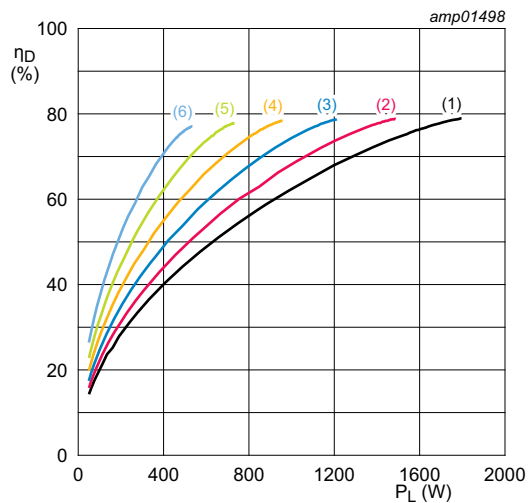
**Fig 8. Drain efficiency as a function of output power; typical values**



$I_{Dq} = 100 \text{ mA per section}; f = 108 \text{ MHz}; t_p = 100 \text{ }\mu\text{s};$   
 $\delta = 10 \text{ \%}.$

- (1)  $V_{DS} = 55 \text{ V}$
- (2)  $V_{DS} = 50 \text{ V}$
- (3)  $V_{DS} = 45 \text{ V}$
- (4)  $V_{DS} = 40 \text{ V}$
- (5)  $V_{DS} = 35 \text{ V}$
- (6)  $V_{DS} = 30 \text{ V}$

**Fig 9. Power gain as a function of output power; typical values**



$I_{Dq} = 100 \text{ mA per section}; f = 108 \text{ MHz}; t_p = 100 \text{ }\mu\text{s};$   
 $\delta = 10 \text{ \%}.$

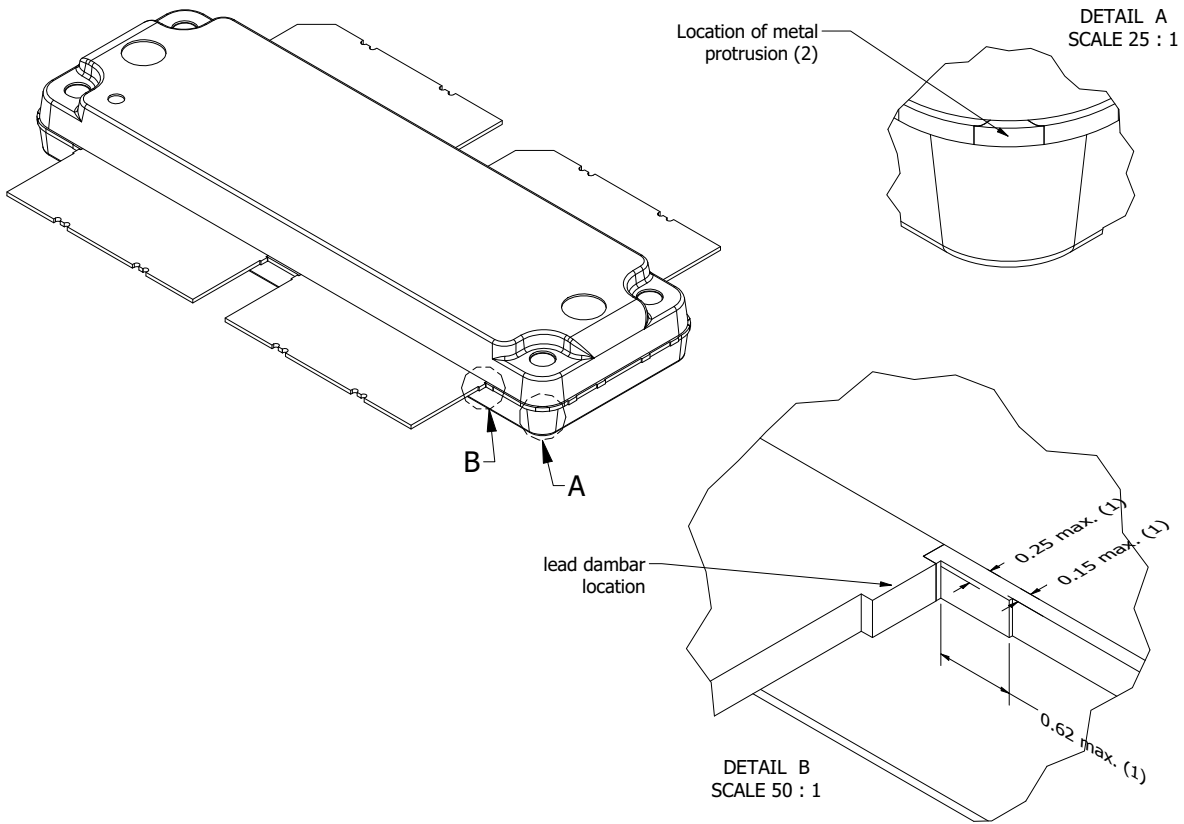
- (1)  $V_{DS} = 55 \text{ V}$
- (2)  $V_{DS} = 50 \text{ V}$
- (3)  $V_{DS} = 45 \text{ V}$
- (4)  $V_{DS} = 40 \text{ V}$
- (5)  $V_{DS} = 35 \text{ V}$
- (6)  $V_{DS} = 30 \text{ V}$

**Fig 10. Drain efficiency as a function of output power; typical values**



OMP-1230-4F-1

Drawing Notes	
Items	Description
(1)	Dimensions are excluding mold protrusion. All areas located adjacent to the leads have a maximum mold protrusion of 0.25 mm (per side) and max. 0.62 mm in length. At all other areas the mold protrusion is maximum 0.15 mm per side. See also detail B.
(2)	The metal protrusion (tie bars) in the corner will not stick out of the molding compound protrusions (detail A).
(3)	The lead dambar (metal) protrusions are not included. Add 0.14 mm max to the total lead dimension at the dambar location.
(4)	The lead coplanarity over all leads is 0.1 mm maximum.
(5)	Dimension is measured from bottom of lead to bottom of plastic package. Dimension is measured 0.5 mm from the edge of the package body.
(6)	The hatched area indicates the exposed metal heatsink.
(7)	The leads and exposed heatsink are plated with matte Tin (Sn).



Package outline drawing:	units in mm.	Tolerances unless otherwise stated: Dimension: $\pm 0.05$ Angle: $\pm 1^\circ$	Revision: 0 Revision date: 7/2/2019
OMP-1230-4F-1		Third angle projection	Sheet 2 of 2

Fig 12. Package outline OMP-1230-4F-1 (sheet 2 of 2)

OMP-1230-4G-1

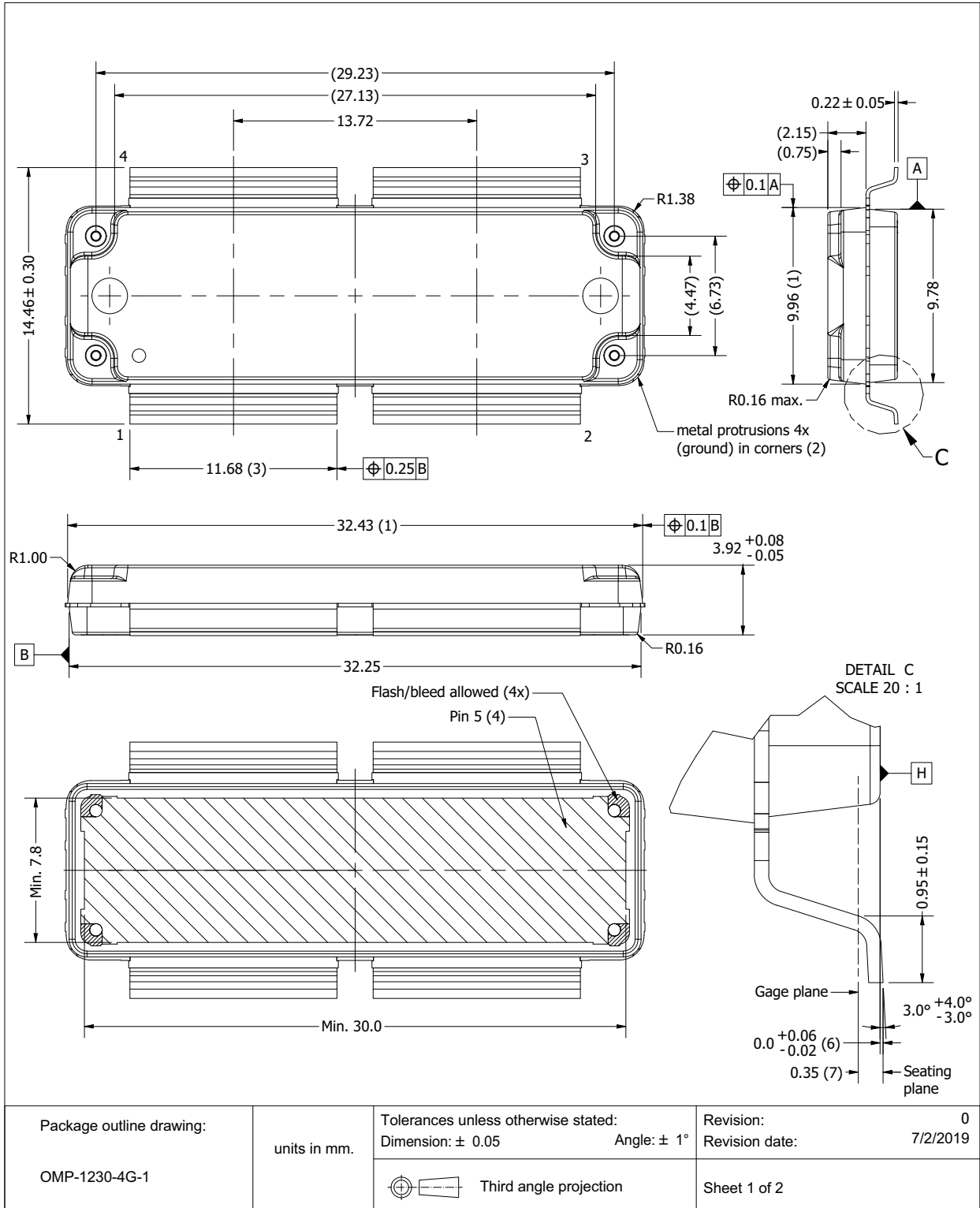
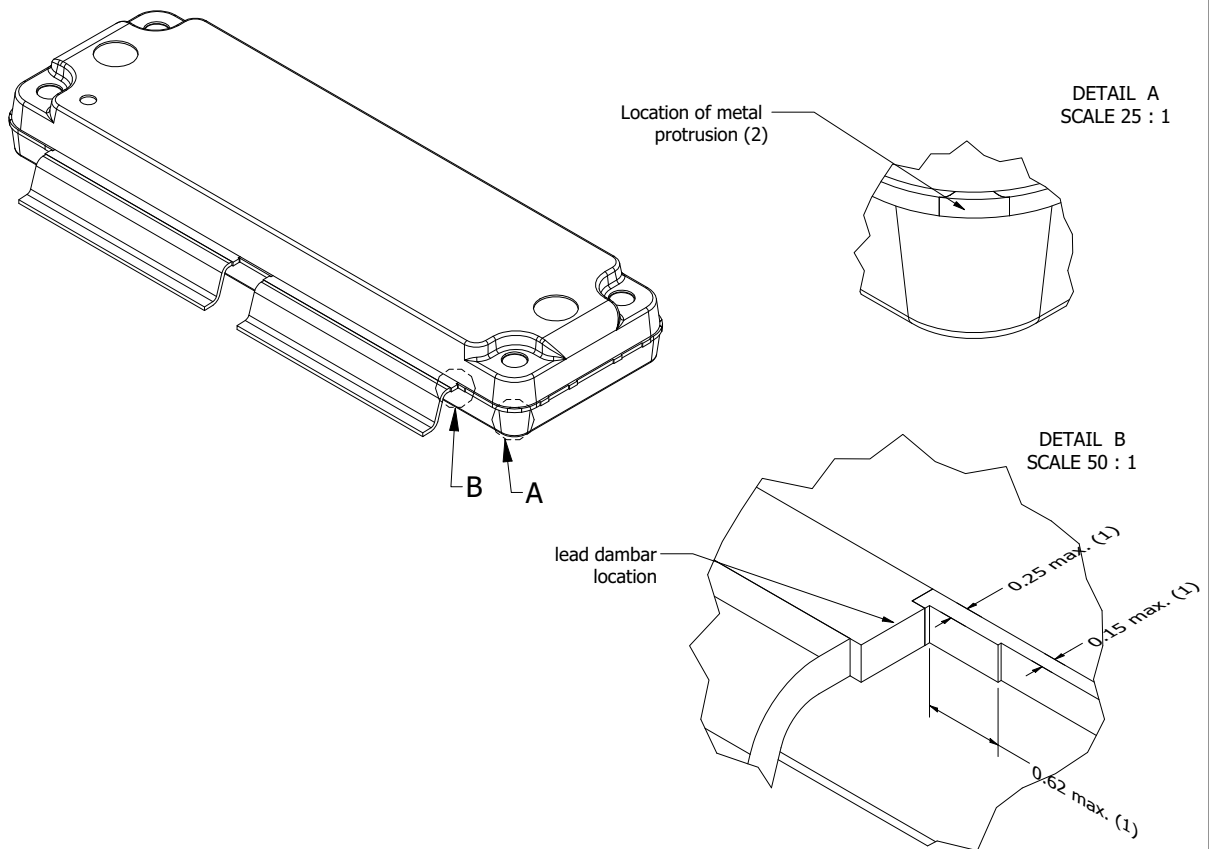


Fig 13. Package outline OMP-1230-4G-1 (sheet 1 of 2)

OMP-1230-4G-1

Drawing Notes	
Items	Description
(1)	Dimensions are excluding mold protrusion. Areas located adjacent to the leads have a maximum mold protrusion of 0.25 mm (per side) and 0.62 mm max. in length. At all other areas the mold protrusion is maximum 0.15 mm per side. See also detail B.
(2)	The metal protrusion (tie bars) in the corner will not stick out of the molding compound protrusions (detail A).
(3)	The lead dambar (metal) protrusions are not included. Add 0.14 mm max to the total lead dimension at the dambar location.
(4)	The hatched area indicates the exposed metal heatsink.
(5)	The leads and exposed heatsink are plated with matte Tin (Sn).
(6)	Dimension is measured with respect to the bottom of the plastic package Datum H. Positive value means that the bottom of the package is higher than the bottom of the lead.
(7)	Gage plane (foot length) to be measured from the seating plane.



Package outline drawing:	units in mm.	Tolerances unless otherwise stated: Dimension: $\pm 0.05$ Angle: $\pm 1^\circ$	Revision: 0 Revision date: 7/2/2019
OMP-1230-4G-1		Third angle projection	Sheet 2 of 2

Fig 14. Package outline OMP-1230-4G-1 (sheet 2 of 2)

## 9. Handling information

### CAUTION



This device is sensitive to ElectroStatic Discharge (ESD). Observe precautions for handling electrostatic sensitive devices.

Such precautions are described in the *ANSI/ESD S20.20*, *IEC/ST 61340-5*, *JESD625-A* or equivalent standards.

**Table 11. ESD sensitivity**

ESD model	Class
Charged Device Model (CDM); According to ANSI/ESDA/JEDEC standard JS-002	C2A <a href="#">[1]</a>
Human Body Model (HBM); According to ANSI/ESDA/JEDEC standard JS-001	2 <a href="#">[2]</a>

[1] CDM classification C2A is granted to any part that passes after exposure to an ESD pulse of 500 V.

[2] HBM classification 2 is granted to any part that passes after exposure to an ESD pulse of 2000 V.

## 10. Abbreviations

**Table 12. Abbreviations**

Acronym	Description
CW	Continuous Wave
ESD	ElectroStatic Discharge
FM	Frequency Modulation
ISM	Industrial, Scientific and Medical
LDMOS	Laterally Diffused Metal-Oxide Semiconductor
MRI	Magnetic Resonance Imaging
MTF	Median Time to Failure
RoHS	Restriction of Hazardous Substances
SMD	Surface Mounted Device
UHF	Ultra High Frequency
VHF	Very High Frequency
VSWR	Voltage Standing Wave Ratio

## 11. Revision history

**Table 13. Revision history**

Document ID	Release date	Data sheet status	Change notice	Supersedes
ART1K6PH_ART1K6PHG v.1	20210325	Product data sheet	-	ART1K6PH v.1
Modifications:	<ul style="list-style-type: none"> <li>The document now describes the straight lead and gull wing version of this product</li> <li><a href="#">Section 2 on page 2</a>: added ART1K6PHG data</li> <li><a href="#">Section 3 on page 3</a>: added ART1K6PHG data</li> <li><a href="#">Section 7.1 on page 6</a>: added ART1K6PHG to text</li> <li><a href="#">Section 8 on page 11</a>: added package outline version OMP-1230-4G-1</li> </ul>			
ART1K6PH v.1	20201019	Product data sheet	-	-

## 12. Legal information

### 12.1 Data sheet status

Document status <sup>[1][2]</sup>	Product status <sup>[3]</sup>	Definition
Objective [short] data sheet	Development	This document contains data from the objective specification for product development.
Preliminary [short] data sheet	Qualification	This document contains data from the preliminary specification.
Product [short] data sheet	Production	This document contains the product specification.

[1] Please consult the most recently issued document before initiating or completing a design.

[2] The term 'short data sheet' is explained in section "Definitions".

[3] The product status of device(s) described in this document may have changed since this document was published and may differ in case of multiple devices. The latest product status information is available on the Internet at URL <http://www.ampleon.com>.

### 12.2 Definitions

**Draft** — The document is a draft version only. The content is still under internal review and subject to formal approval, which may result in modifications or additions. Ampleon does not give any representations or warranties as to the accuracy or completeness of information included herein and shall have no liability for the consequences of use of such information.

**Short data sheet** — A short data sheet is an extract from a full data sheet with the same product type number(s) and title. A short data sheet is intended for quick reference only and should not be relied upon to contain detailed and full information. For detailed and full information see the relevant full data sheet, which is available on request via the local Ampleon sales office. In case of any inconsistency or conflict with the short data sheet, the full data sheet shall prevail.

**Product specification** — The information and data provided in a Product data sheet shall define the specification of the product as agreed between Ampleon and its customer, unless Ampleon and customer have explicitly agreed otherwise in writing. In no event however, shall an agreement be valid in which the Ampleon product is deemed to offer functions and qualities beyond those described in the Product data sheet.

### 12.3 Disclaimers

**Maturity** — The information in this document can only be regarded as final once the relevant product(s) has passed the Release Gate in Ampleon's release process. Prior to such release this document should be regarded as a draft version.

**Limited warranty and liability** — Information in this document is believed to be accurate and reliable. However, Ampleon does not give any representations or warranties, expressed or implied, as to the accuracy or completeness of such information and shall have no liability for the consequences of use of such information. Ampleon takes no responsibility for the content in this document if provided by an information source outside of Ampleon.

In no event shall Ampleon be liable for any indirect, incidental, punitive, special or consequential damages (including - without limitation - lost profits, lost savings, business interruption, costs related to the removal or replacement of any products or rework charges) whether or not such damages are based on tort (including negligence), warranty, breach of contract or any other legal theory.

Notwithstanding any damages that customer might incur for any reason whatsoever, Ampleon's aggregate and cumulative liability towards customer for the products described herein shall be limited in accordance with the *Terms and conditions of commercial sale* of Ampleon.

**Right to make changes** — Ampleon reserves the right to make changes to information published in this document, including without limitation specifications and product descriptions, at any time and without notice. This document supersedes and replaces all information supplied prior to the publication hereof.

**Suitability for use** — Ampleon products are not designed, authorized or warranted to be suitable for use in life support, life-critical or safety-critical systems or equipment, nor in applications where failure or malfunction of an Ampleon product can reasonably be expected to result in personal injury, death or severe property or environmental damage. Ampleon and its suppliers accept no liability for inclusion and/or use of Ampleon products in such equipment or applications and therefore such inclusion and/or use is at the customer's own risk.

**Applications** — Applications that are described herein for any of these products are for illustrative purposes only. Ampleon makes no representation or warranty that such applications will be suitable for the specified use without further testing or modification.

Customers are responsible for the design and operation of their applications and products using Ampleon products, and Ampleon accepts no liability for any assistance with applications or customer product design. It is customer's sole responsibility to determine whether the Ampleon product is suitable and fit for the customer's applications and products planned, as well as for the planned application and use of customer's third party customer(s). Customers should provide appropriate design and operating safeguards to minimize the risks associated with their applications and products.

Ampleon does not accept any liability related to any default, damage, costs or problem which is based on any weakness or default in the customer's applications or products, or the application or use by customer's third party customer(s). Customer is responsible for doing all necessary testing for the customer's applications and products using Ampleon products in order to avoid a default of the applications and the products or of the application or use by customer's third party customer(s). Ampleon does not accept any liability in this respect.

**Limiting values** — Stress above one or more limiting values (as defined in the Absolute Maximum Ratings System of IEC 60134) will cause permanent damage to the device. Limiting values are stress ratings only and (proper) operation of the device at these or any other conditions above those given in the Recommended operating conditions section (if present) or the Characteristics sections of this document is not warranted. Constant or repeated exposure to limiting values will permanently and irreversibly affect the quality and reliability of the device.

**Terms and conditions of commercial sale** — Ampleon products are sold subject to the general terms and conditions of commercial sale, as published at <http://www.ampleon.com/terms>, unless otherwise agreed in a valid written individual agreement. In case an individual agreement is concluded only the terms and conditions of the respective agreement shall apply. Ampleon hereby expressly objects to applying the customer's general terms and conditions with regard to the purchase of Ampleon products by customer.



**No offer to sell or license** — Nothing in this document may be interpreted or construed as an offer to sell products that is open for acceptance or the grant, conveyance or implication of any license under any copyrights, patents or other industrial or intellectual property rights.

**Export control** — This document as well as the item(s) described herein may be subject to export control regulations. Export might require a prior authorization from competent authorities.

**Non-automotive qualified products** — Unless this data sheet expressly states that this specific Ampleon product is automotive qualified, the product is not suitable for automotive use. It is neither qualified nor tested in accordance with automotive testing or application requirements. Ampleon accepts no liability for inclusion and/or use of non-automotive qualified products in automotive equipment or applications.

In the event that customer uses the product for design-in and use in automotive applications to automotive specifications and standards, customer (a) shall use the product without Ampleon's warranty of the product for such

automotive applications, use and specifications, and (b) whenever customer uses the product for automotive applications beyond Ampleon's specifications such use shall be solely at customer's own risk, and (c) customer fully indemnifies Ampleon for any liability, damages or failed product claims resulting from customer design and use of the product for automotive applications beyond Ampleon's standard warranty and Ampleon's product specifications.

**Translations** — A non-English (translated) version of a document is for reference only. The English version shall prevail in case of any discrepancy between the translated and English versions.

## 12.4 Trademarks

Notice: All referenced brands, product names, service names and trademarks are the property of their respective owners.

## 13. Contact information

---

For more information, please visit: <http://www.ampleon.com>

For sales office addresses, please visit: <http://www.ampleon.com/sales>

14. Contents

1 **Product profile** ..... 1

1.1 General description ..... 1

1.2 Features and benefits ..... 1

1.3 Applications ..... 2

2 **Pinning information** ..... 2

3 **Ordering information** ..... 3

4 **Limiting values** ..... 3

5 **Thermal characteristics** ..... 3

6 **Characteristics** ..... 4

7 **Test information** ..... 6

7.1 Ruggedness in class-AB operation ..... 6

7.2 Impedance information ..... 6

7.3 Test circuit ..... 7

7.4 Graphical data ..... 8

8 **Package outline** ..... 11

9 **Handling information** ..... 15

10 **Abbreviations** ..... 15

11 **Revision history** ..... 15

12 **Legal information** ..... 16

12.1 Data sheet status ..... 16

12.2 Definitions ..... 16

12.3 Disclaimers ..... 16

12.4 Trademarks ..... 17

13 **Contact information** ..... 17

14 **Contents** ..... 18

Please be aware that important notices concerning this document and the product(s) described herein, have been included in section 'Legal information'.

© Ampleon Netherlands B.V. 2021. All rights reserved.

For more information, please visit: <http://www.ampleon.com>  
 For sales office addresses, please visit: <http://www.ampleon.com/sales>

Date of release: 25 March 2021

Document identifier: ART1K6PH\_ART1K6PHG