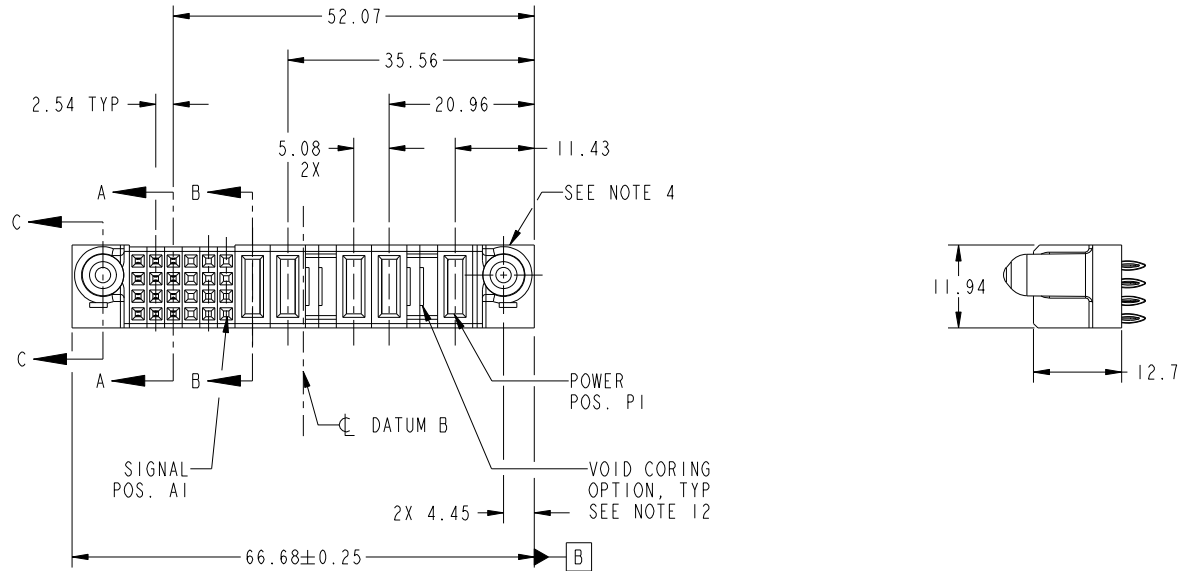


Tous droits strictement reserves. Reproduction ou communication a des tiers interdite sous quelque forme que ce soit sans autorisation écrite du propriétaire. Propriete de c FCI. Droits de reproduction FCI.

All rights strictly reserved. Reproduction or issue to third parties in any form whatever is not permitted without written authority from the proprietor. Property of FCI. Copyright FCI.



PRODUCT NO.	ROWS	SIGNAL					POWER					E1				
		E2	6	5	4	3	2	1	P5	P4	P3		P2	P1		
51940-270- NOTE: 3	D C B A		F	F	F	X	X		PF	PF		PC	PC		PC	
		F	F	F	X	X										
		F	F	F	X	X										
		F	F	F	X	X										



CODE	DIM "M" MATING LENGTH	CONTACT TYPE
F	[N/A]	SIGNAL
PC	[1.07]	POWER
PF	[2.34]	POWER
X	OMITTED	

mat'l code				SEE NOTES		tolerances unless otherwise specified		CUSTOMER		FCI	
ltr	ecn no.	dr	date	linear		0.X ±0.5	COPY		www.fciconnect.com		
A	DG09-0058	WD	03/04/09	angles		0.XX ±0.25	projection		title		
						0.XXX ±0.1	MIM		5P + 24S		
				dr	Warren Du	11/14/08	← MIM →		VERTICAL PRESS-FIT RECEPT		
				enr	Warren Du	11/14/08	scale		product family		code
				chr	Gary Hsieh	11/14/08	1:1		PwrBlade		213
				appd	Joseph Hsia	11/14/08			size		sheet
sheet index	revision sheet	A	A	A	A				dwg no		1 of 4
1	2	3	4						51940-270		
									cage code		4
									22526		

Pro/E

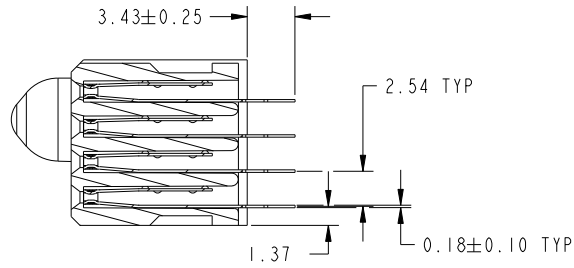
cage code 22526

Tous droits strictement reserves. Reproduction ou communication a des tiers interdite sous quelque forme que ce soit sans autorisation ecrite du proprietaire. Propriete de c FCI. Droits de reproduction FCI.

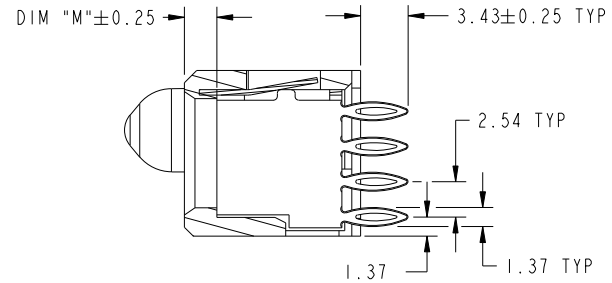
All rights strictly reserved. Reproduction or issue to third parties in any form whatever is not permitted without written authority from the proprietor. Property of FCI. Copyright FCI.



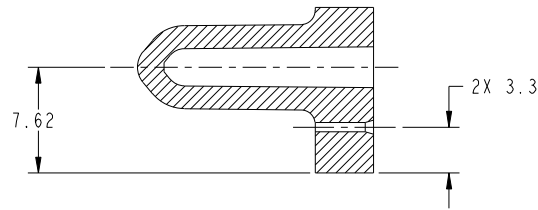
PRODUCT NUMBER
51940-270--
NOTE: 3



SECTION A-A
SCALE 2:1



SECTION B-B
SCALE 2:1



SECTION C-C
SCALE 2:1

mat'l code				tolerances unless otherwise specified		CUSTOMER		FCI			
ltr	ecn no.	dr	date	linear	0.X ±0.5	projection	COPY	www.fciconnect.com			
A					0.XX ±0.25			title	5P + 24S		
					0.XXX ±0.1				VERTICAL PRESS-FIT RECEIPT		
				angles	0° ±2°	MIM	scale	product family	PwrBlade	code	
				dr	Warren Du			11/14/08	size	dwg no	213
				enr	Warren Du			11/14/08	A	51940-270	sheet
				chr	Gary Hsieh	11/14/08					
				appd	Joseph Hsia	11/14/08					
sheet index	revision sheet										

Pro/E

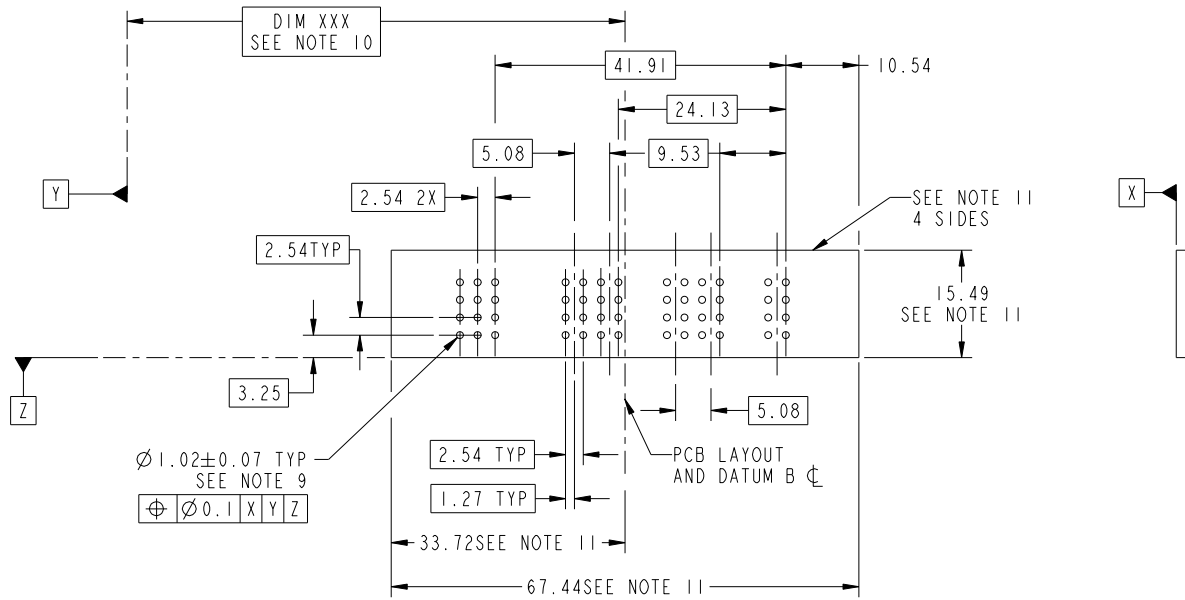
cage code 22526

Tous droits strictement reserves. Reproduction ou communication a des tiers interdite sous quelque forme que ce soit sans autorisation ecrite du proprietaire. Propriete de c FCI. Droits de reproduction FCI.

All rights strictly reserved. Reproduction or issue to third parties in any form whatever is not permitted without written authority from the proprietor. Property of FCI. Copyright FCI.



PRODUCT NUMBER
51940-270--
NOTE: 3



RECOMMENDED PCB LAYOUT

mat'l code				tolerances unless otherwise specified		CUSTOMER		www.fciconnect.com			
ltr	ecn no.	dr	date	linear	0.X ±0.5	COPY			title 5P + 24S VERTICAL PRESS-FIT RECEPT		
A					0.XX ±0.25	MIM				product family	code
					0.XXX ±0.1	← MIM →				PwrBlade	213
				angles	0° ±2°	scale		size	sheet		
				dr	Warren Du 11/14/08	1:1		dwg no	3 of 4		
				enr	Warren Du 11/14/08			A	51940-270		
				chr	Gary Hsieh 11/14/08						
				appd	Joseph Hsia 11/14/08						
sheet index	revision sheet										

cage code 22526

Pro/E

Tous droits strictement reserves. Reproduction ou communication a des tiers interdite sous quelque forme que ce soit sans autorisation écrite du propriétaire. Propriete de c FCI. Droits de reproduction FCI.

All rights strictly reserved. Reproduction or issue to third parties in any form whatever is not permitted without written authority from the proprietor. Property of FCI. Copyright FCI.

PRODUCT NUMBER
51940-270--
NOTE: 3

NOTES:

1. DIMENSIONS AND TOLERANCES ARE IN ACCORDANCE WITH ASME Y14.5M, 1994 UNLESS OTHERWISE SPECIFIED.

CONNECTOR NOTES:

- 2 HOUSING MATERIAL: UL 94 V-0 GLASS FILLED HIGH-TEMP THERMOPLASTIC
POWER CONTACT MATERIAL: COPPER ALLOY
SIGNAL PIN MATERIAL: COPPER ALLOY
- 3. SEE ITEM 7 & 8 IN PRINT 10064183 FOR PLATING SPEC OF 51940-270 AND 51940-270LF RESPECTIVELY.
- 4 MANUFACTURER'S NAME, P/N, AND DATE CODE TO APPEAR ON THIS SURFACE.
- 5. PRODUCT SPECIFICATION GS-12-149.
APPLICATION SPECIFICATION BUS-20-067.
- 6. PACKAGED IN TRAYS.
PCB NOTES:
7. ALL HOLE DIAMETERS ARE FINISHED HOLE SIZE.
- 8 MOUNTING HOLES, WHERE APPLICABLE, ARE UNPLATED.
- 9 $\varnothing 1.151 \pm 0.025$ DRILLED HOLES PLATED WITH
0.008 MIN SnPb OR Sn OVER 0.03
TO 0.08 Cu PLATING TO ACHIEVE
 $\varnothing 1.02 \pm 0.07$ HOLE.
- 10 "DIM XXX" TO BE DETERMINED BY THE CUSTOMER.
- 11 CONNECTOR KEEP-OUT ZONE.
- 12. THE VOID CORING IN BETWEEN POWER MODULES, SIGNAL MODULES AND END MODULES ARE OPTIONAL AND THE SHAPE MAY BE DIFFERENT FOR OPTIMIZE THE MOLDING PROCESS. THE VOID CORING WILL NOT EFFECT TO PRODUCT FUNCTION.

mat'l code				tolerances unless otherwise specified		CUSTOMER		FCI	
ltr	ecn no.	dr	date	linear	0.X ± 0.5	COPY		www.fciconnect.com	
A					0.XX ± 0.25	projection	title		
					0.XXX ± 0.1		5P + 24S VERTICAL PRESS-FIT RECEPT		
				angles	0° ± 2°	MIM		product family PwrBlade code	
				dr	Warren Du 11/14/08	← MIM →		size	
				enrg	Warren Du 11/14/08	scale		dwg no	
				chr	Gary Hsieh 11/14/08	1:1		51940-270	
				appd	Joseph Hsia 11/14/08			sheet	
sheet index		revision sheet						4 of 4	

cage code 22526

Pro/E