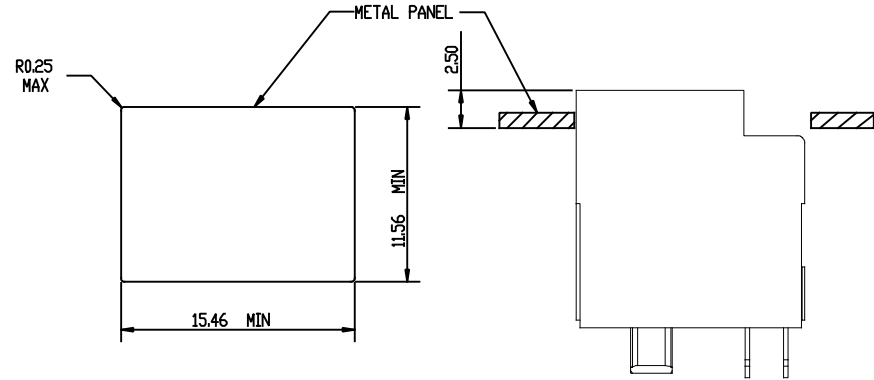
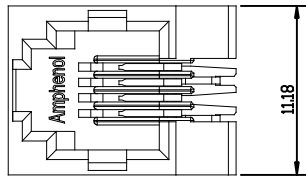
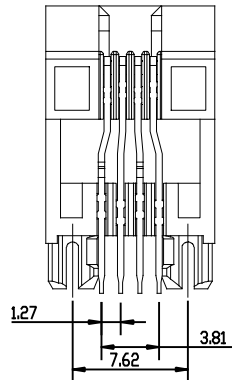
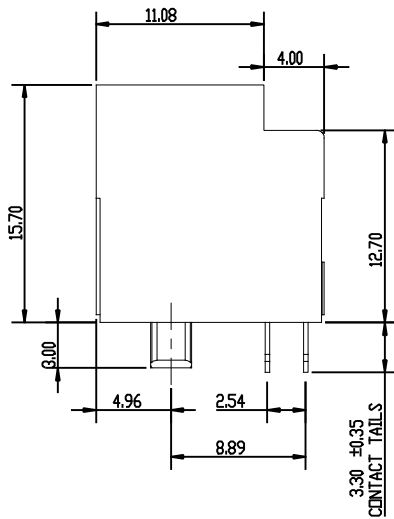


REVISIONS			
REV	DESCRIPTION, ECN, EAR NO.	DATE	APP'D
A	PROPOSAL	MAR31/16	LCHAN
B	REVISE THE NOTES	FEB 24/17	LCHAN



RECOMMENDED PANEL CUTOUT



MATERIALS:

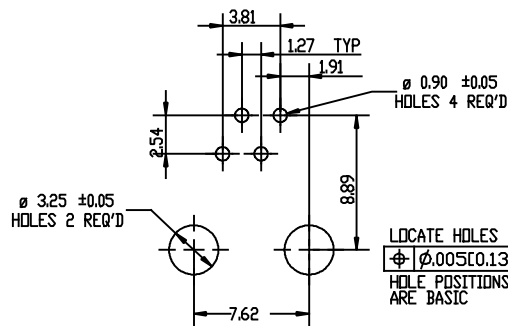
PLASTIC HOUSING: HIGH TEMPERATURE THERMOPLASTIC
FLAMMABILITY RATING UL 94V-0, COLOUR BLACK.

CONTACT: PHOSPHOR BRONZE.

CONTACT PLATING: SELECTIVE GOLD PLATING ON MATING SURFACES.
SEE PART NO. FOR THICKNESS.
50u" [1.27 MICRONS] MIN. NICKEL UNDERPLATE,
100u" [2.54 MICRONS] MIN. MATTE-TIN ON CONTACT TAILS.

AMPHENOL PART NUMBER: RJE1J-144-0X10

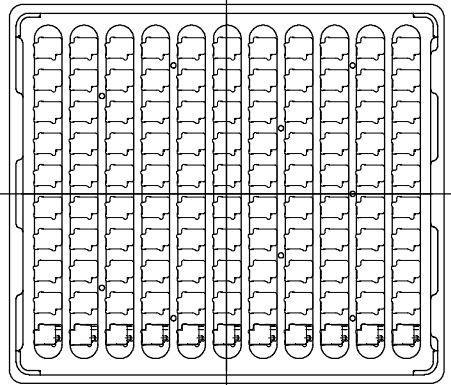
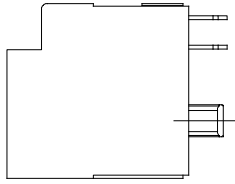
- Gold plating:
- 0. gold plating (1~3u")
- 1. 6u" gold plating
- 2. 15u" gold plating
- 3. 30u" gold plating
- 4. 50u" gold plating



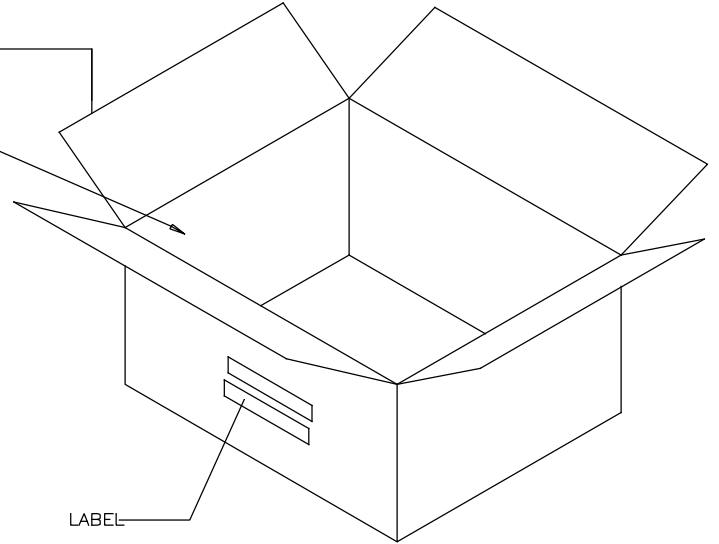
RECOMMENDED P.C.B. LAYOUT
(COMPONENT SIDE OF BOARD)
PCB THICKNESS: 1.57MM
TOLERANCE: +/-0.05MM

UNLESS SPECIFIED OTHERWISE		DRAWN	FRANKW	MAR31/16	Amphenol Canada Corp.
PRIMARY UNITS	MILLIMETERS	CHECKED	LCHAN	MAR31/16	
SECONDARY		M.E. APP'D			MODULAR JACK, SINGLE PORT, VERTICAL MOUNT, 4P4C, WITHOUT SHIELD. TRAY PACKAGING - RoHS COMPLIANT
		D.W.G. APP'D			
GENERAL TOLERANCES		ENG. REL. NO.			DWG. NO.
1 DECIMAL PLACE	± 0.38	REF.			P-RJE1J-144-0X10
2 DECIMAL PLACES	± 0.20				REV B
3 DECIMAL PLACES	± 0.10				
ANGULAR DEGREES	± 1.0 °	THIRD ANGLE PROJECTION			CODE ID NO. 03554
		DO NOT SCALE DRAWING			DWG SIZE: X
					SCALE: 4:1
					SHEET 1 OF 2

REVISIONS				
SYM	ZONE	ECN, ERN NO.	DATE	APPRD.
A		PROPOSAL	MAR31/16	L.CHAN
B		REVISE THE NOTES	FEB 24/17	L.CHAN

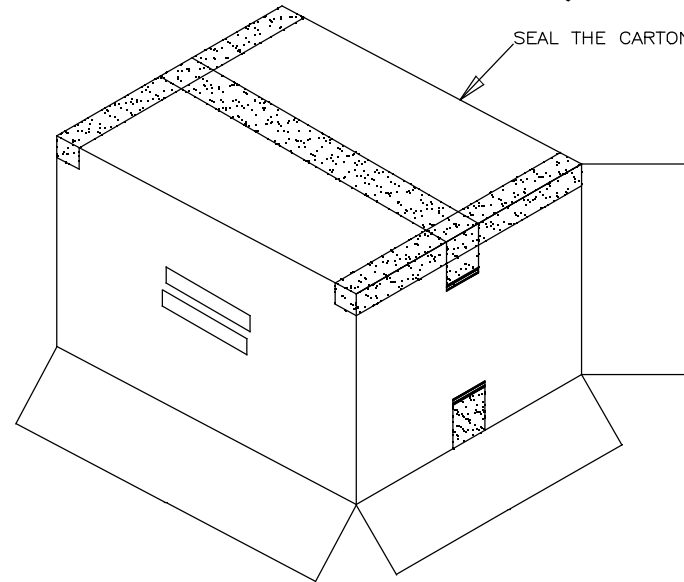


12 TRAY PER CARTON



LABEL

SEAL THE CARTON



PACKAGING NOTES:

1. 110PCS CONNECTORS PER TRAY
2. 12 TRAY PER CARTON (1320 PCS CONNECTORS PER CARTON)

THIS DOCUMENT CONTAINS PROPRIETARY INFORMATION AND SUCH INFORMATION MAY NOT BE DISCLOSED TO OTHERS FOR ANY PURPOSE OR USED FOR MANUFACTURING PURPOSES WITHOUT WRITTEN PERMISSION FROM AMPHENOL CANADA CORP.

DRAWN	FRANK.W	DATE	MAR31/16
DESIGNED			
CHECKED	L.CHAN	DATE	MAR31/16
I. E. APPRD.			
Q. A. APPRD.			
DWG. APPRD.			
ENG. REL. NO.			
REF.			
DIMENSIONS ARE IN	CODE ID. NO.		
INCHES [mm]	03554		

Amphenol Canada Corp.

TITLE
MODULAR JACK, SINGLE PORT, VERTICAL MOUNT, 4P4C, WITHOUT SHIELD. TRAY PACKAGING - RoHS COMPLIANT

DWG	DRAWING NO.	REV.
	P-RJE1J-144-0X10	B
SCALE	WT. -----	SURF. -----
		SHEET 2 OF 2