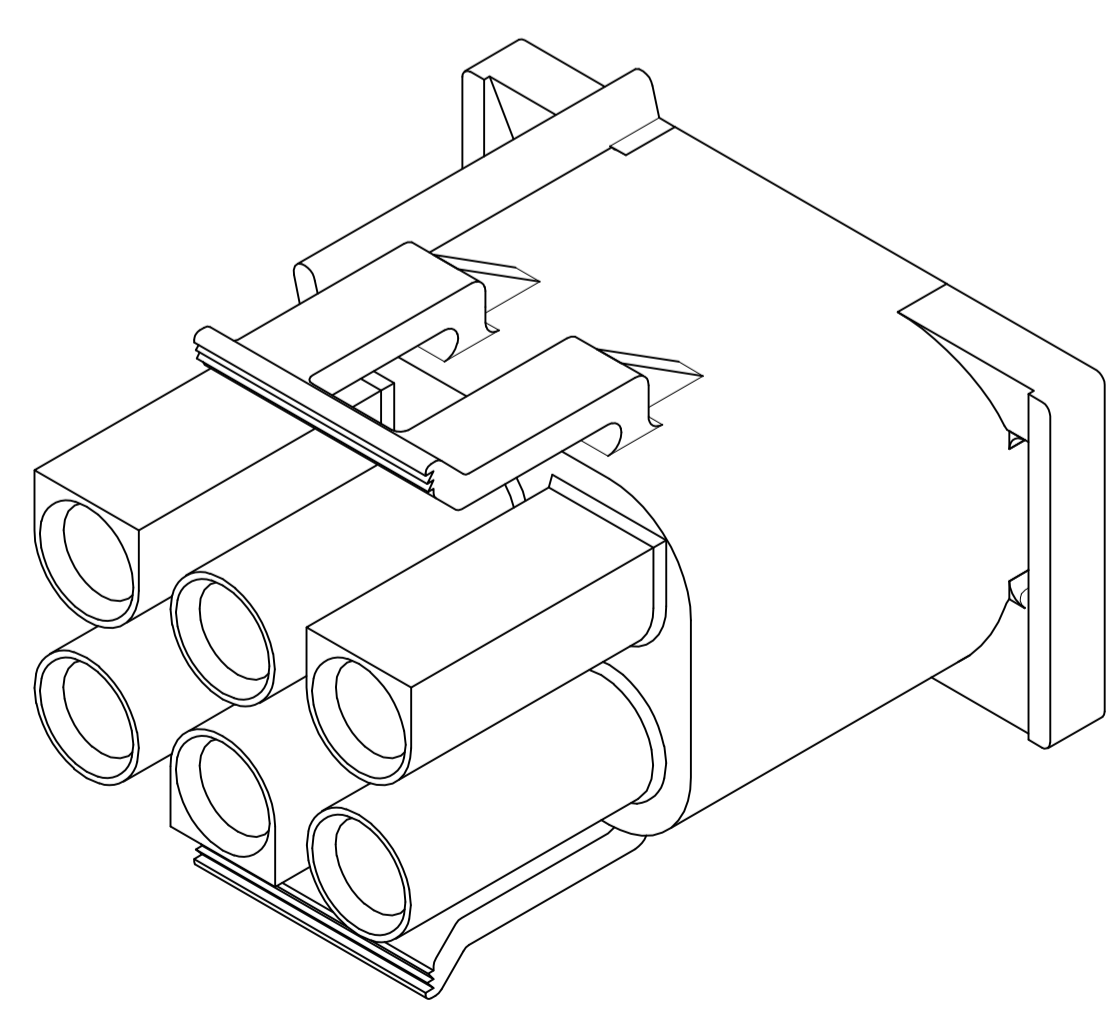
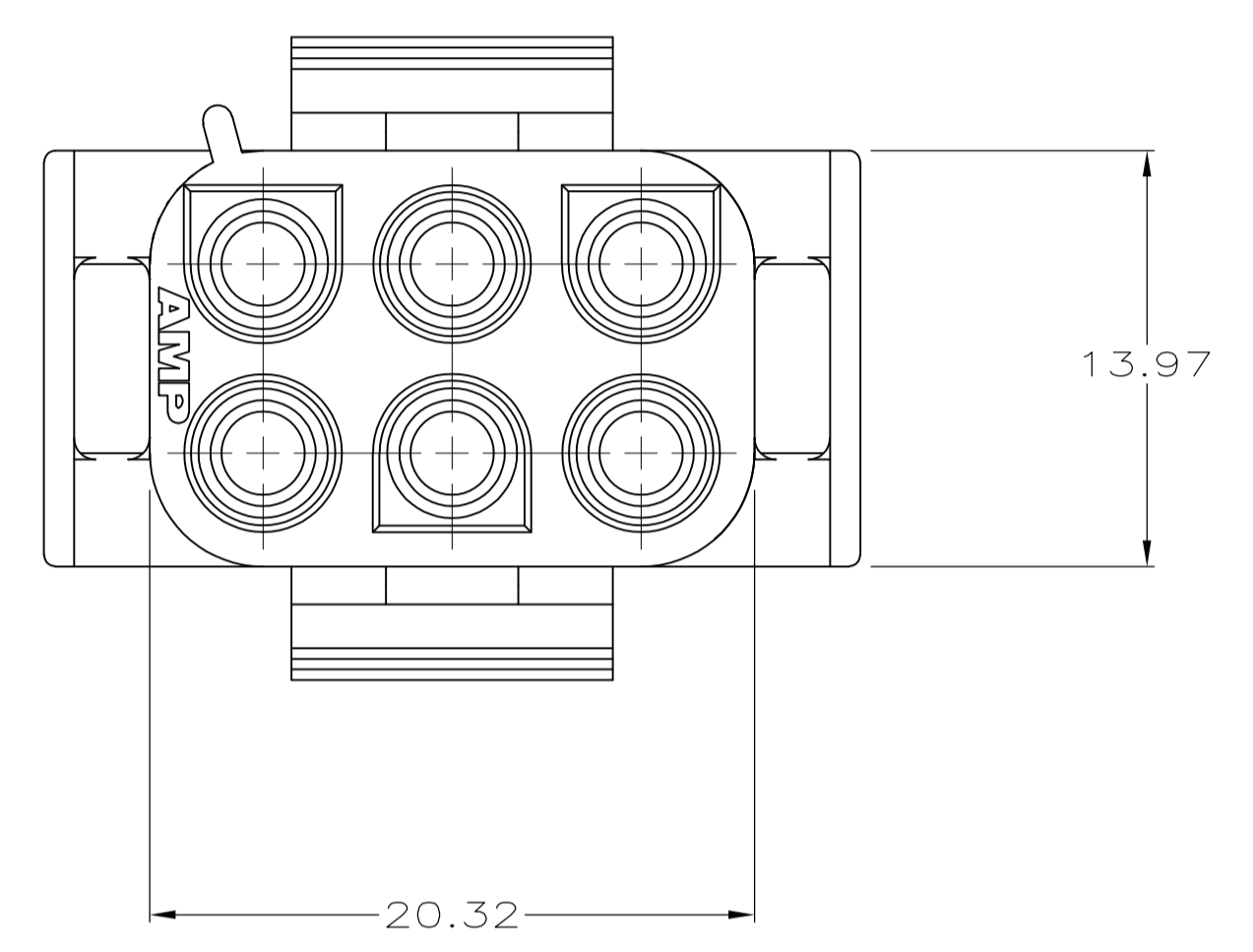
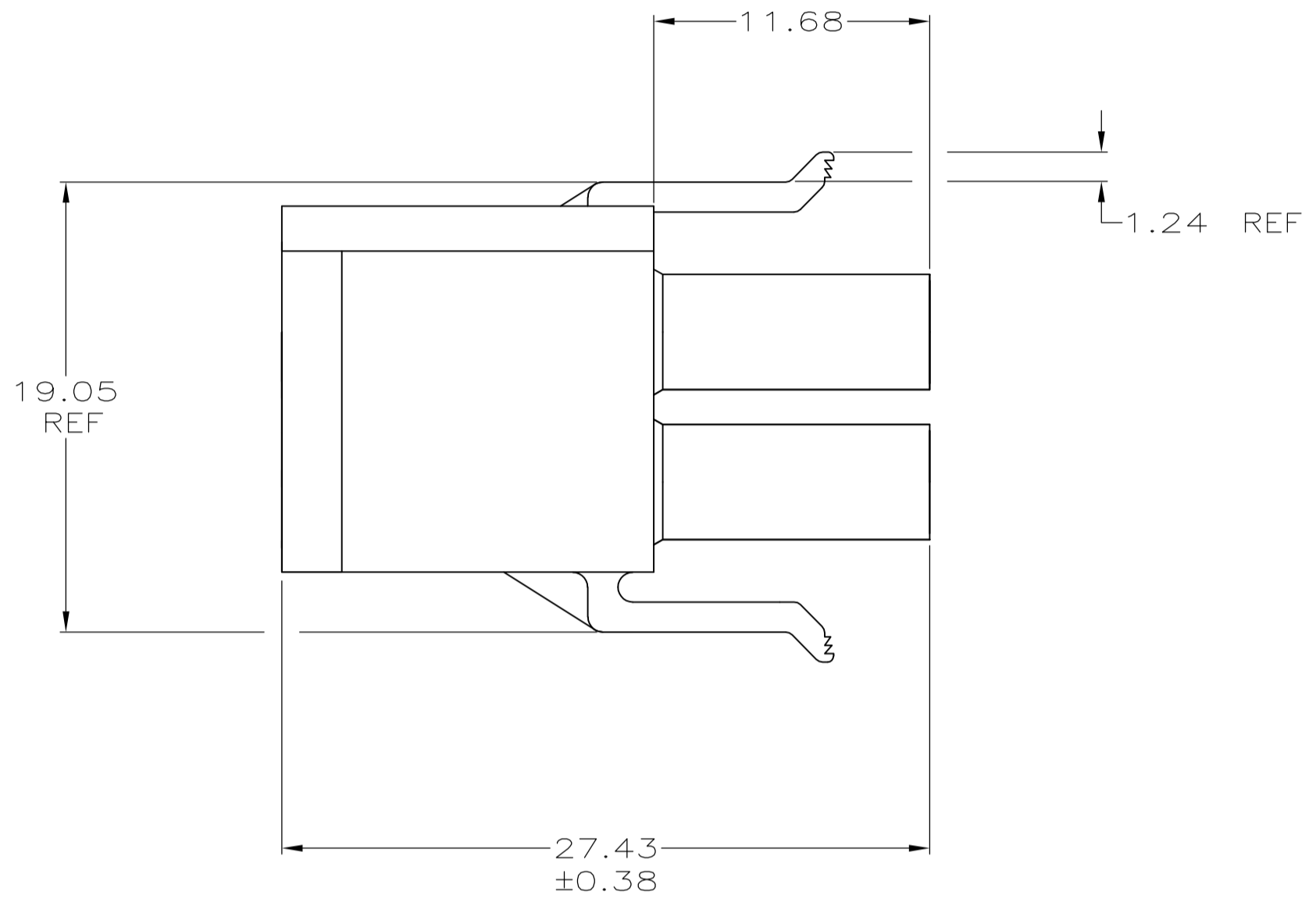
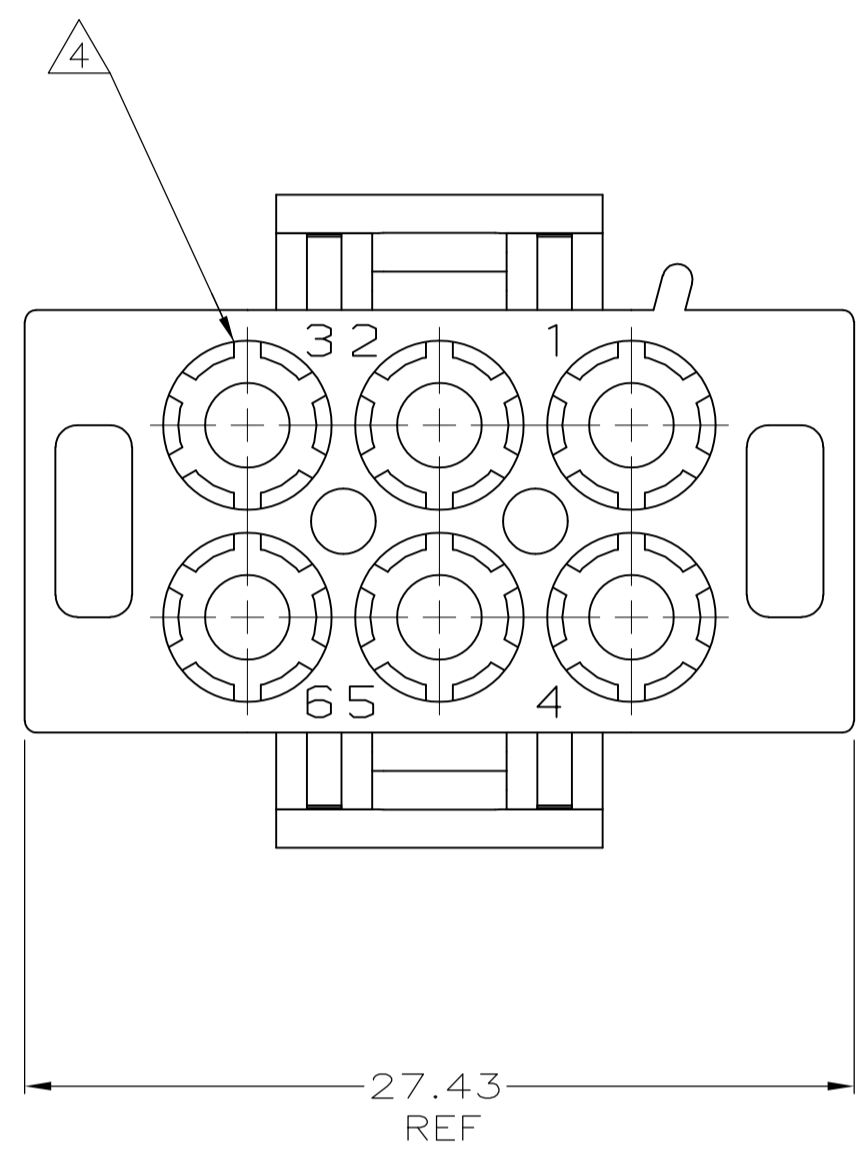
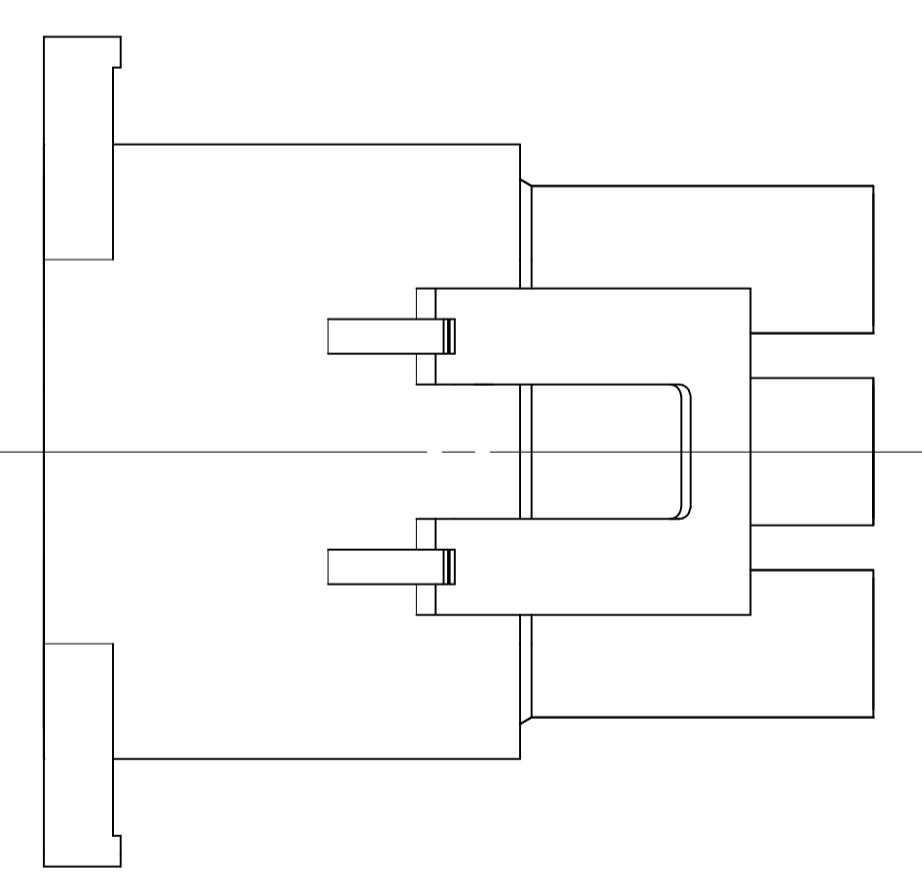


REVISIONS				
P	LTR	DESCRIPTION	DATE	OWN / APPV
A		REVISED PER ECO-17-011927	22AUG2017	RS / KR

- MATES WITH APPROPRIATE UNIVERSAL MATE-N-LOK™ CAP OR HEADER.
- SMALL NICKS ARE PERMITTED ON THE CIRCUIT TOWERS WHICH COULD INCREASE THE INITIAL HOUSING MATING FORCE BY UP TO 4.4 NEWTONS [1.0 LBS]. NO INDIVIDUAL NICKED TOWER SHALL INCREASE THIS FORCE BY OVER 2.2 NEWTONS [.5 LBS].
- DIMENSIONS SHOWN REPRESENT PRODUCT IN DRY, AS MOLDED CONDITION ADDITIONAL 2% GROWTH DUE TO SUBSEQUENT MOISTURE ABSORPTION MAY OCCUR AND SHOULD BE ACCOUNTED FOR.
 ▲ SIX RIBS EQUALLY SPACED, NO SPECIFIC ORIENTATION.

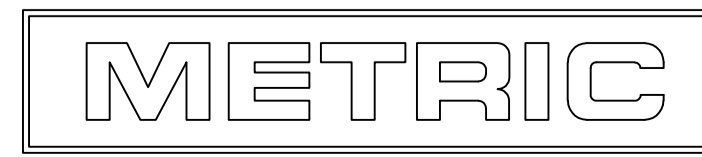


3-DIMENSIONAL MODEL
NTS



27.43	1.080
20.32	.800
19.05	.750
13.97	.550
11.68	.460
1.24	.049
0.38	.015
0.13	.005
MM	IN

CONVERSION TABLE



794096-1
PART NUMBER

THIS DRAWING IS A CONTROLLED DOCUMENT.		DWG: K. WHITAKER 12-05-95		
DIMENSIONS: mm		CHK: R. SWING 12-05-95	NAME: PLUG, SHORT LATCH, 6 CIRCUIT, UNIVERSAL MATE-N-LOK	
TOLERANCES UNLESS OTHERWISE SPECIFIED:		APPV: D. SELF 12-06-95	PRODUCT SPEC: APPLICATION SPEC	
0. PLC ± - 1. PLC ± - 2. PLC ± 0.13 3. PLC ± - 4. PLC ± - ANGLES: 40° ± 0.1°		SIZE: A1	CAGE CODE: 00779	DRAWING NO: 794096
MATERIAL: NYLON, FINISH: -		WEIGHT: 0.000000	RESTRICTED TO: -	
		CUSTOMER DRAWING		SCALE: 4:1 SHEET: 1 OF 1 REV: A