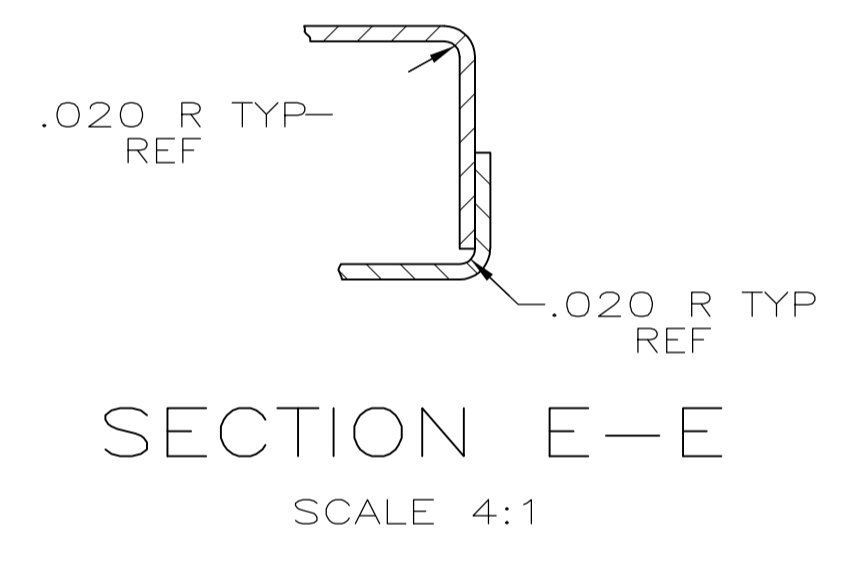
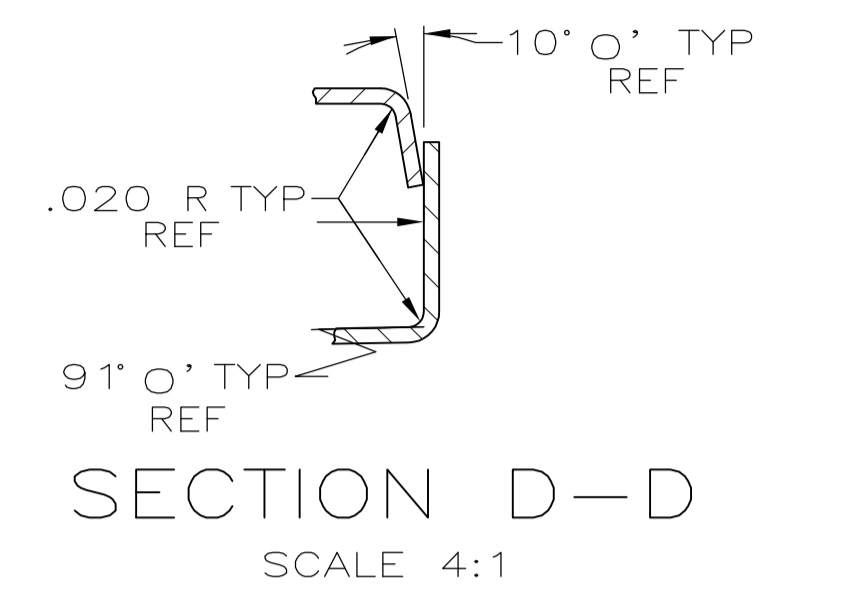
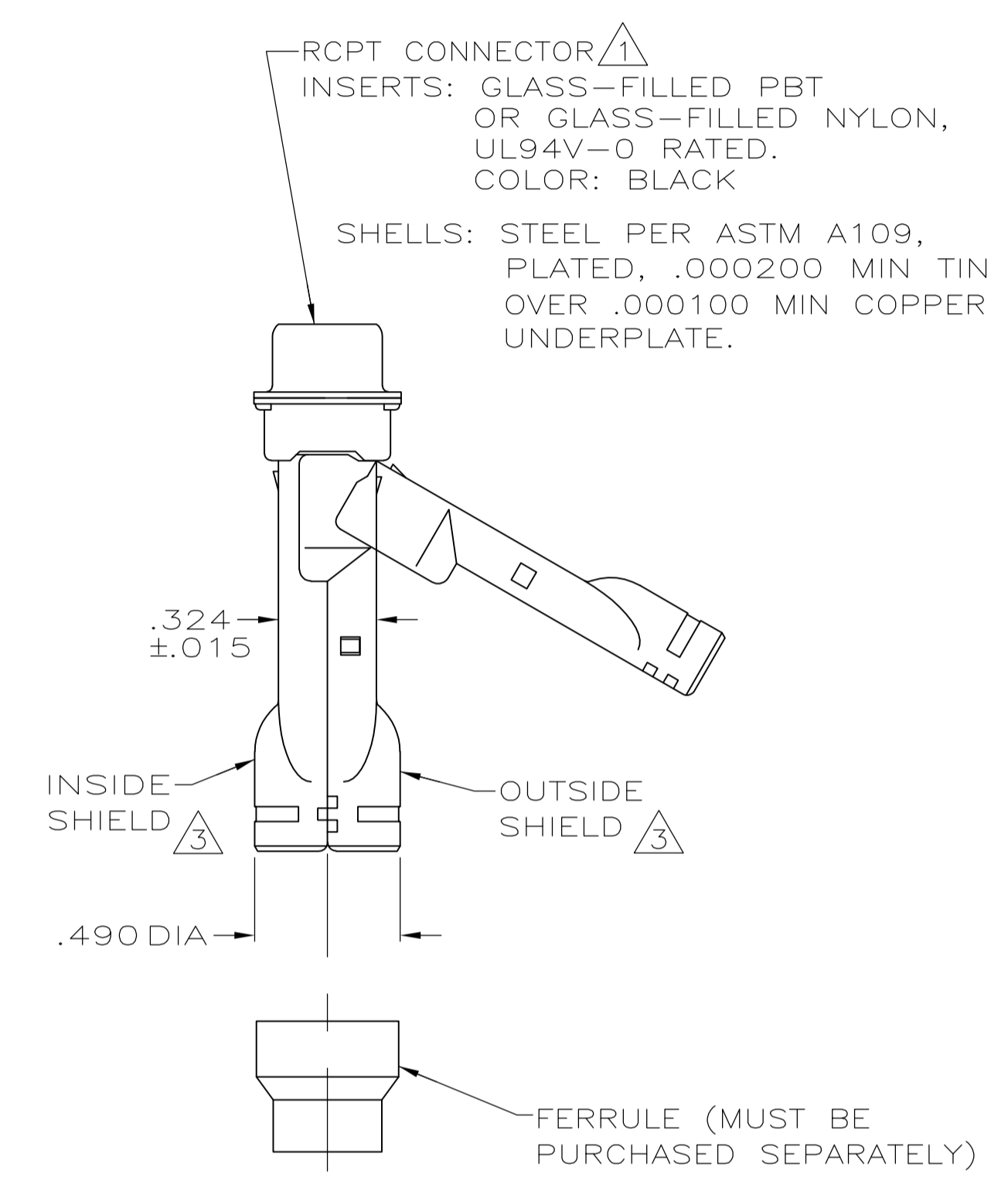
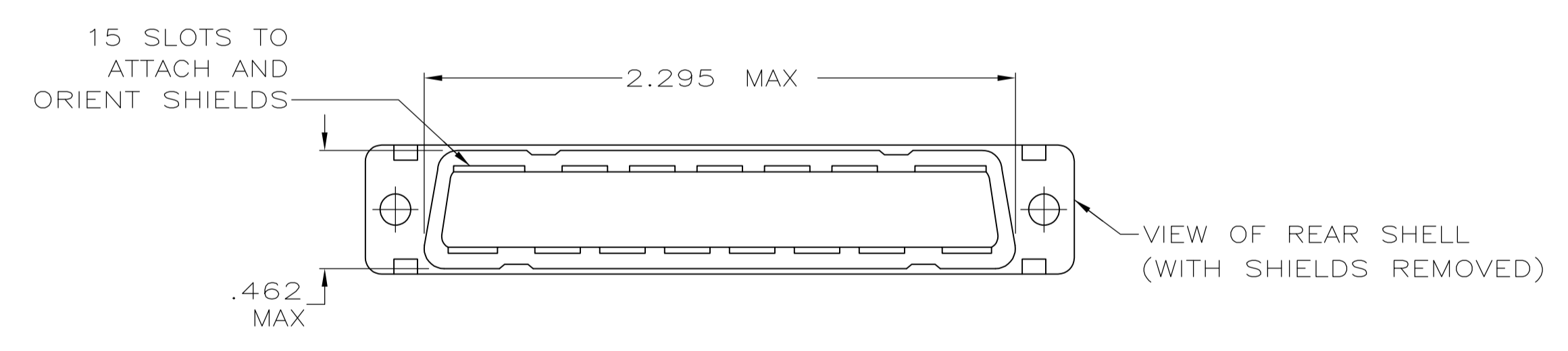
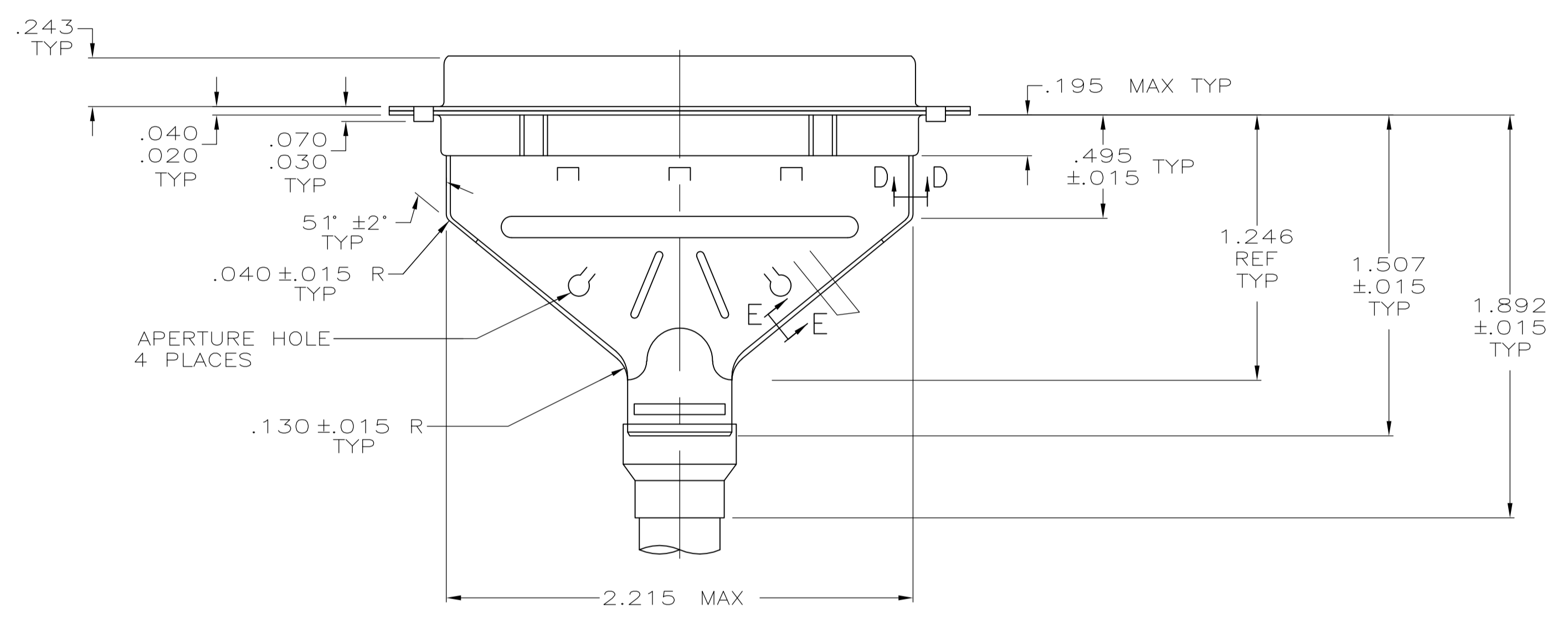
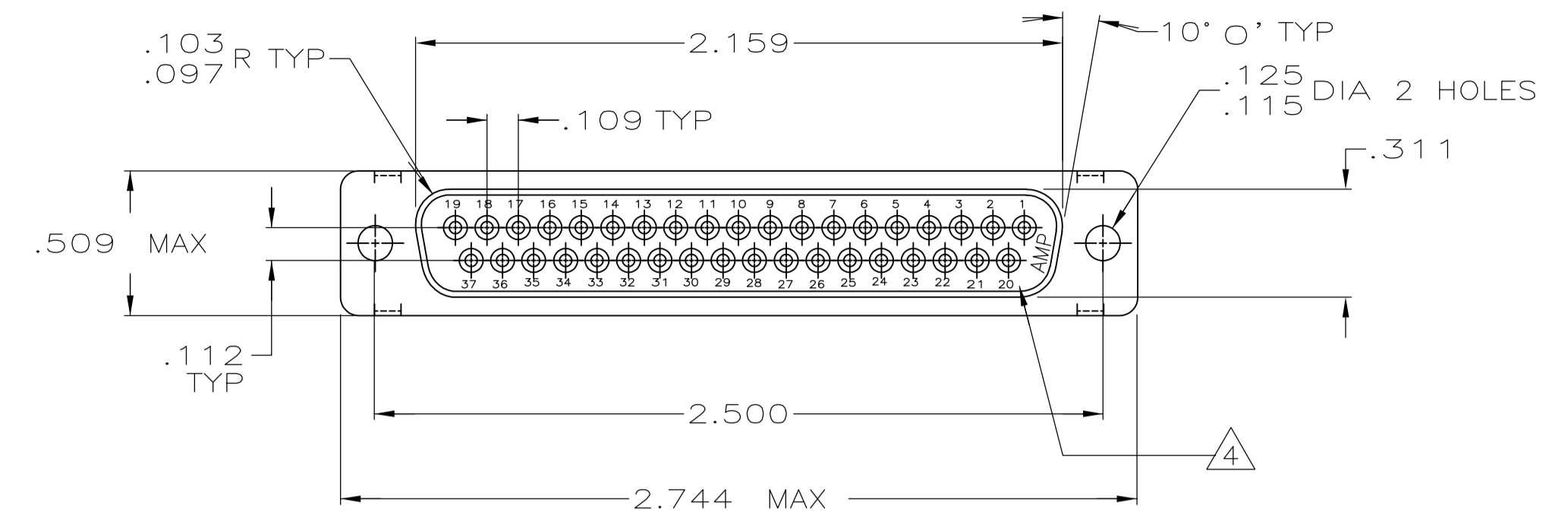


LOC		DIST		REVISIONS			
GP	00	REV	DATE	BY	APPV	DATE	BY
A		REVISED PER ECO-14-011808	09AUG2014	AP	SB		



- 1 RCPT ACCEPTS SIZE 20 SOCKET CONTACTS (CONTACTS MUST BE ORDERED SEPARATELY).
- 2. ALL PARTS SHIPPED UNASSEMBLED, EACH PART INDIVIDUALLY BULK PACKED.
- 3 SHIELDS: MATERIAL—.020 THICK STEEL, PER ASTM A109, PLATED .000200 MIN TIN OVER .000100 MIN COPPER UNDERPLATE.
- 4 RAISED CAVITY IDENTIFICATION AND AMP TRADEMARK.

1658651-1  
PART NUMBER

THIS DRAWING IS A CONTROLLED DOCUMENT.		DIN J. REITZEL 31JUL03	TE Connectivity	
DIMENSIONS: INCHES		CHK S. BOLASH 31JUL03		
TOLERANCES UNLESS OTHERWISE SPECIFIED:		APPV M. WALMSLEY 31JUL03	NAME	
0 PLC ± -	1 PLC ± -	PRODUCT SPEC	KIT, RCPT, SHIELDING HARDWARE, SIZE 4, 37 POSN, AMPLIMITE™	
2 PLC ± -	3 PLC ± .005	APPLICATION SPEC	108-40030	
4 PLC ± -	ANGLES ± # 0° 30'	SIZE	CAGE CODE	DRAWING NO
MATERIAL SEE CALL OUT 3	FINISH SEE CALL OUT 4	114-40030	A1	00779
CUSTOMER DRAWING		WEIGHT	C=1658651	
		SCALE	SHEET	REV
		2:1	1 OF 1	A