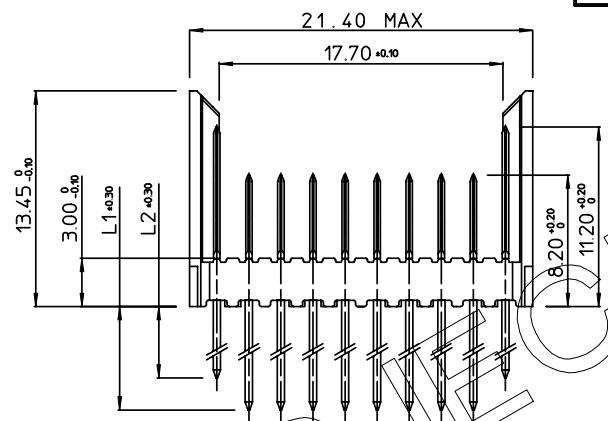
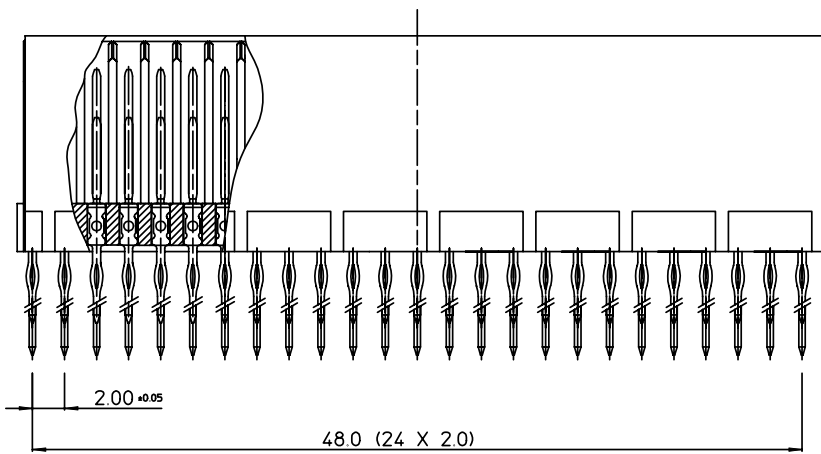


GEN. ST.	01	02	03	04	05	06	07	08	0D	50	60	70	80	90																	
INT. ST.	10	11	12	13	14	18	20	31	32	33	34	38	39	40	42	43	44	45	46	48	56	70	72	73	75	76	81	82	83	84	88

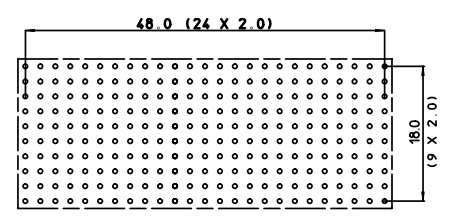
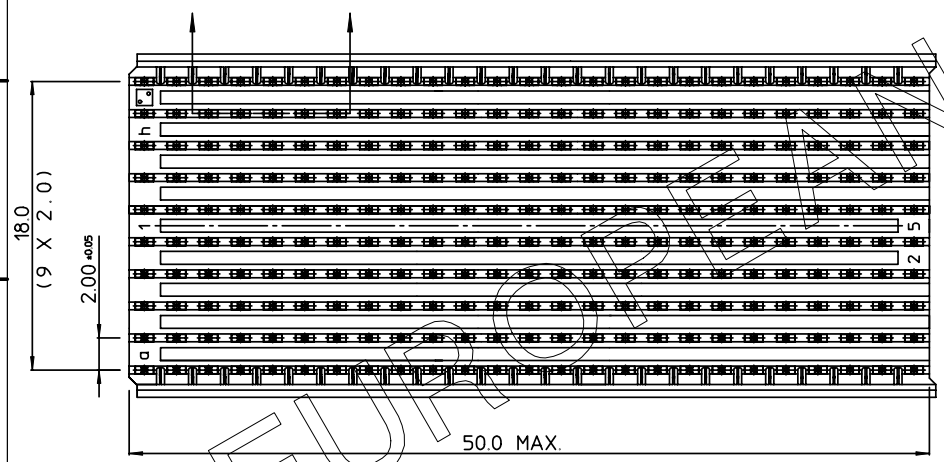
REV.	DATE	DESCRIPTION	BY	C'K'D'
A	2001-09-14	CONVERSION REVISION 03	KN	
B	2005-10-26	105-0205	ALEX B	BKP
C	2006-08-08	106-0144	ALEX B	BKP



PERFORMANCE CHARACTERISTICS

CURRENT RATING : 1.5 A AT 20°C (FULLY LOADED)
 1 A AT 70°C (FULLY LOADED)
 RATED VOLTAGE : 500 V AC (CONT / CONT)
 OPERATING TEMPERATURE : -55°C TO 125°C
 CONTACT RESISTANCE : 20 mΩ MAX
 INSERTION FORCE : 0.60 N MAX / CONT
 EXTRACTION FORCE : 0.15 N MIN / CONT
 INSULATION RESISTANCE : 10⁴ MΩ MIN

CAT. NR.	L1+0.3	L2+0.3	DESCRIPTION
HM2P88PD8111----	3.7	3.7	SHORT PRESS-FIT
HM2P88PC8111----	4.5	4.5	SHORT PRESS-FIT
HM2P88PK8111----	13	4.5	REAR PLUG-UP: LEVEL 1
HM2P88PM8111----	14.5	4.5	REAR PLUG-UP: LEVEL 2
HM2P88PN8111----	16	4.5	REAR PLUG-UP: LEVEL 3
HM2P88PT8111----	13	4.5	WIRE WRAP



LAY-OUT
P.C.B. - HOLE

NOTES

- *HM2P88P#8111---^{CS*} PERFORMANCE LEVEL INDICATOR (REFER DWG No. BS,C ,201844,003)
LEAD FREE INDICATOR : LF=LEAD FREE (DIGIT 15&16)
- THIS PRODUCT IS CSA APPROVED.
THIS PRODUCT IS UL RECOGNIZED.
- FOR RECOMMENDED PTH DIMENSIONS REFER DRAWING : BS,A ,201572,001
- THE PRODUCT (LF) MEETS EUROPEAN UNION DIRECTIVES AND OTHER COUNTRY REGULATIONS AS DESCRIBED IN GS-22-008

MALE SIGNAL STRAIGHT PRESS-FIT-TO-BOARD CONNECTOR
 WITHOUT SERVICECENTER (WIDE BODY)

1DEC ±0,2 2DEC ±0,1 ANGLES ±1°	APPR.	DATE	SIGN.	MILLIPACS 2 / TYPE E (8 ROW) / SHIELDED
	DRAFT	1996-04-30	W.Panis	CAT. No. HM2P88P#8111----
	CHECKED			
WE RESERVE THE RIGHT TO CHANGE DIMENSIONS OR REQUIREMENTS WITHOUT PRIOR NOTICE.	PROD. MGR.			www.fciconnect.com
	PR. ENG. MGR.			
ALL DIMENSIONS IN MM	PR. MGT. MGR.			