



PLUG		RECEPTACLE	
ORDER NO	ENG NO	ORDER NO	ENG NO
03-09-2057	2629-P1	03-09-1057	2629-R1
PRELIMINARY	2629-P	PRELIMINARY	2629-R
		03-09-1054	2629-R2

**LEGEND:**

2629-\*\*\*\*-\*

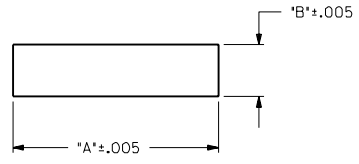
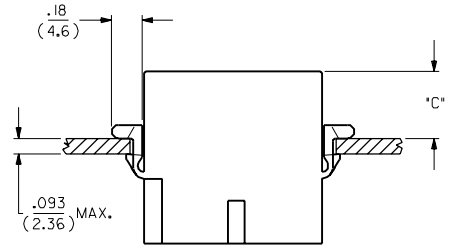
TYPE: \_\_\_\_\_  
 P = PLUG  
 R = RECEPTACLE

PLUG FEATURES: \_\_\_\_\_  
 BLANK = WITH PREBENT EARS  
 I = WITHOUT EARS

RECEPTACLE FEATURES: \_\_\_\_\_  
 BLANK = WITH PREBENT EARS, WITH POSITIVE LOCK RAMP  
 1 = WITHOUT EARS, WITH POSITIVE LOCK RAMP  
 2 = WITHOUT EARS, WITH PASSIVE LOCK RAMPS

COLOR: \_\_\_\_\_  
 BLANK = NATURAL COLOR  
 AM = AMBER BK = BLACK BU = BLUE  
 BN = BROWN CY = GRAY GN = GREEN  
 OR = ORANGE RD = RED YW = YELLOW

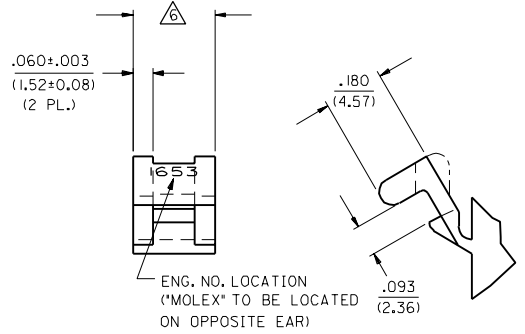
MATERIAL: \_\_\_\_\_  
 BLANK = NYLON TYPE 66, 94V-2 PER SMES-128-A-\*



RECOMMENDED PANEL OPENING

HOUSING	DIM. 'A'	DIM. 'B'	'C' PREBENT EAR
PLUG	1.33/(13.78)	.42/(10.67)	.40/(10.1)
RECEPT.	1.23/(31.24)	.31/(7.87)	.42/(10.6)

- NOTES:
- MOLEX PRODUCT SPEC 02-09 APPLIES.
  - 2629-P\* (PLUG) WILL ACCEPT 2629-R\* 5 CIRCUIT RECEPTACLES OR 1490-R\* 4 CIRCUIT RECEPTACLE.
  - ACCEPTS MOLEX .093 SERIES TERMINALS.
  - CIRCUIT I.D. NUMBERS ON HOUSING APPEAR ON PARTS FROM TOOLS BUILT AFTER 1/6/92.
  - LOCK RAMP ON THIS SIDE OF PART AVAILABLE IN EITHER A POSITIVE LOCK RAMP OR PASSIVE LOCK RAMP STYLE.
  - FOR DIMENSION, SEE SHEET 1.



**DETAIL A**  
 .093/(2.36) PREBENT MOUNTING EAR  
 (SCALE 4:1)

DIMENSIONS SHOWN METRIC (INCH)		UNLESS OTHERWISE SPECIFIED TOLERANCES: ANGULAR ± .040°		REVISIONS ONLY ON CAD SYSTEM	
INCH		METRIC		TITLE	
3 PLACE	± .010	---	± 0.25	.093/(2.36) HOUSINGS	
2 PLACE	± .014	---	± 0.35	PLUG & RECEPTACLE	
1 PLACE	---	---	---	5 CIRCUIT .198/(5.03)C	
DRAFT WHERE APPLICABLE MUST REMAIN WITHIN DIMENSIONS		PART NO.		SHEET NO.	
DRAWN BY: KBW		60532		2	
CHECKED BY: RW		MOLEX INCORPORATED		DATE	
APP'D BY: RAS		LITELLE, ILL. U.S.A.		2/3/89	
SCALE: 2:1		SEE CHART		SD-2629-*	
LTR. REVISIONS		LTR. REVISIONS		DIV. SIZE	
				CP C	