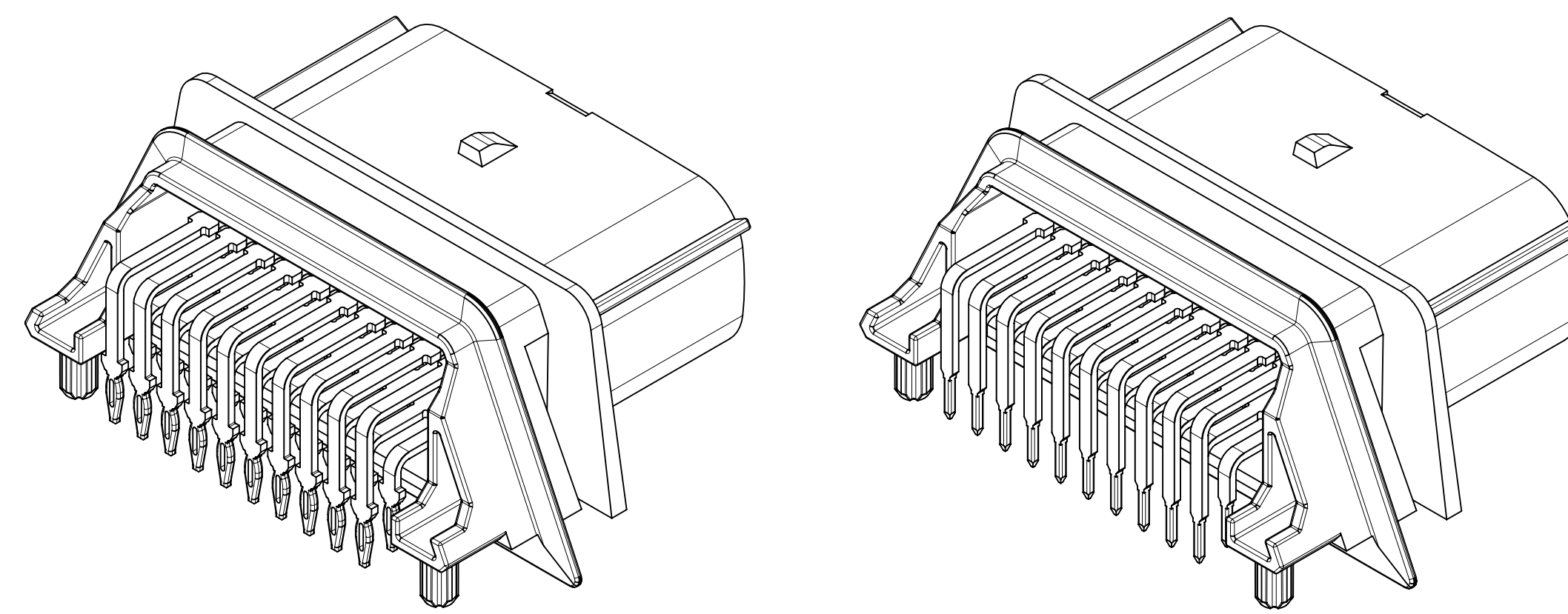


DETAIL A
SCALE 10:1

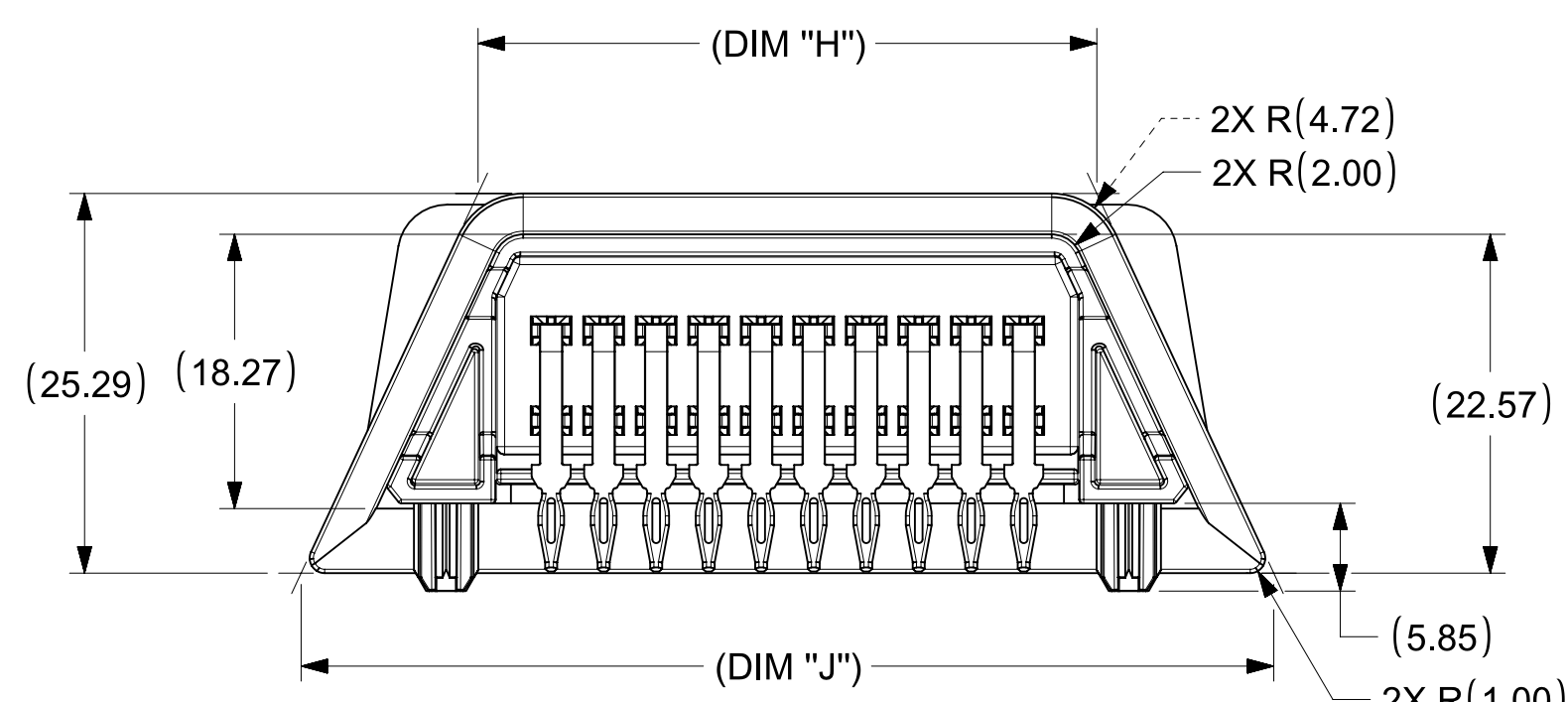
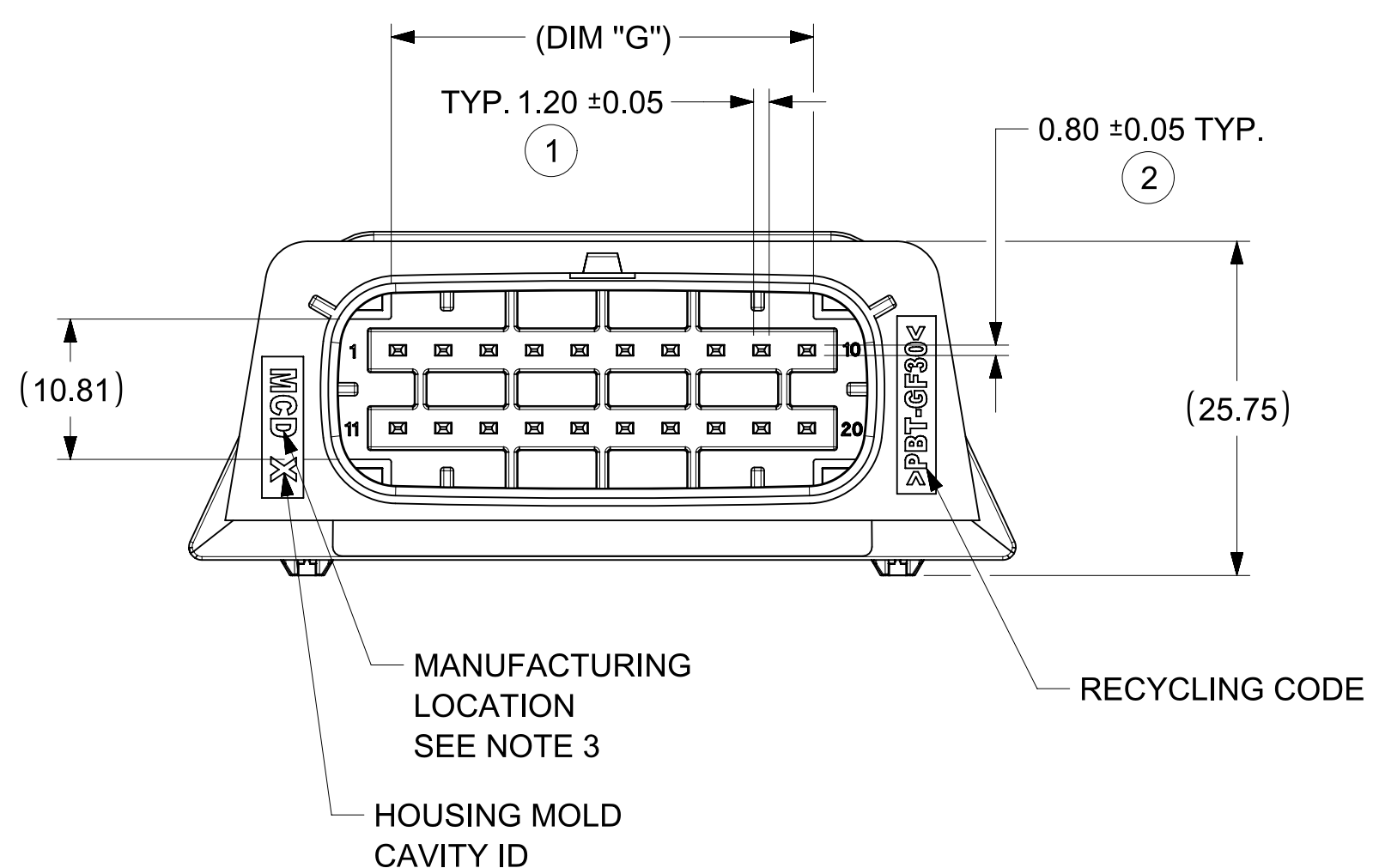
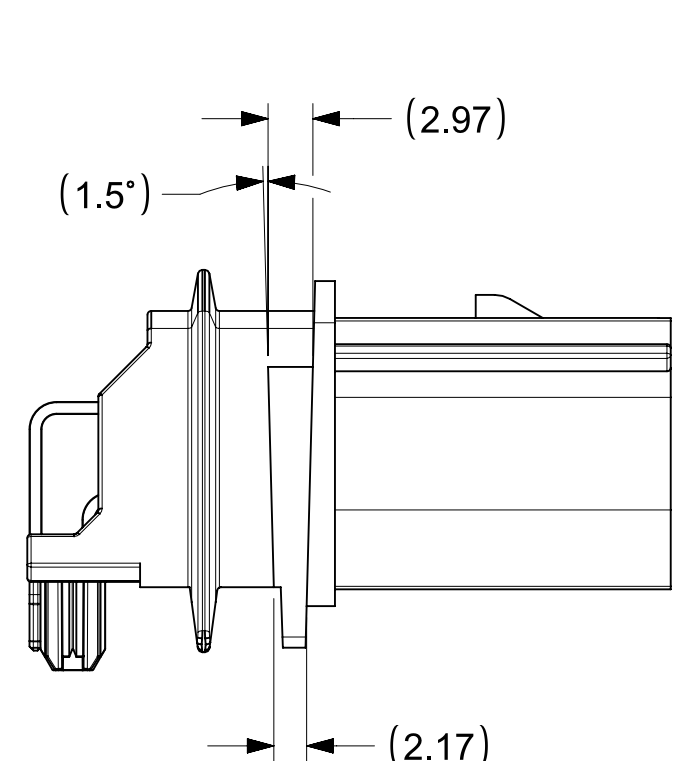


EON SHOWN
(2X10 SHOWN)

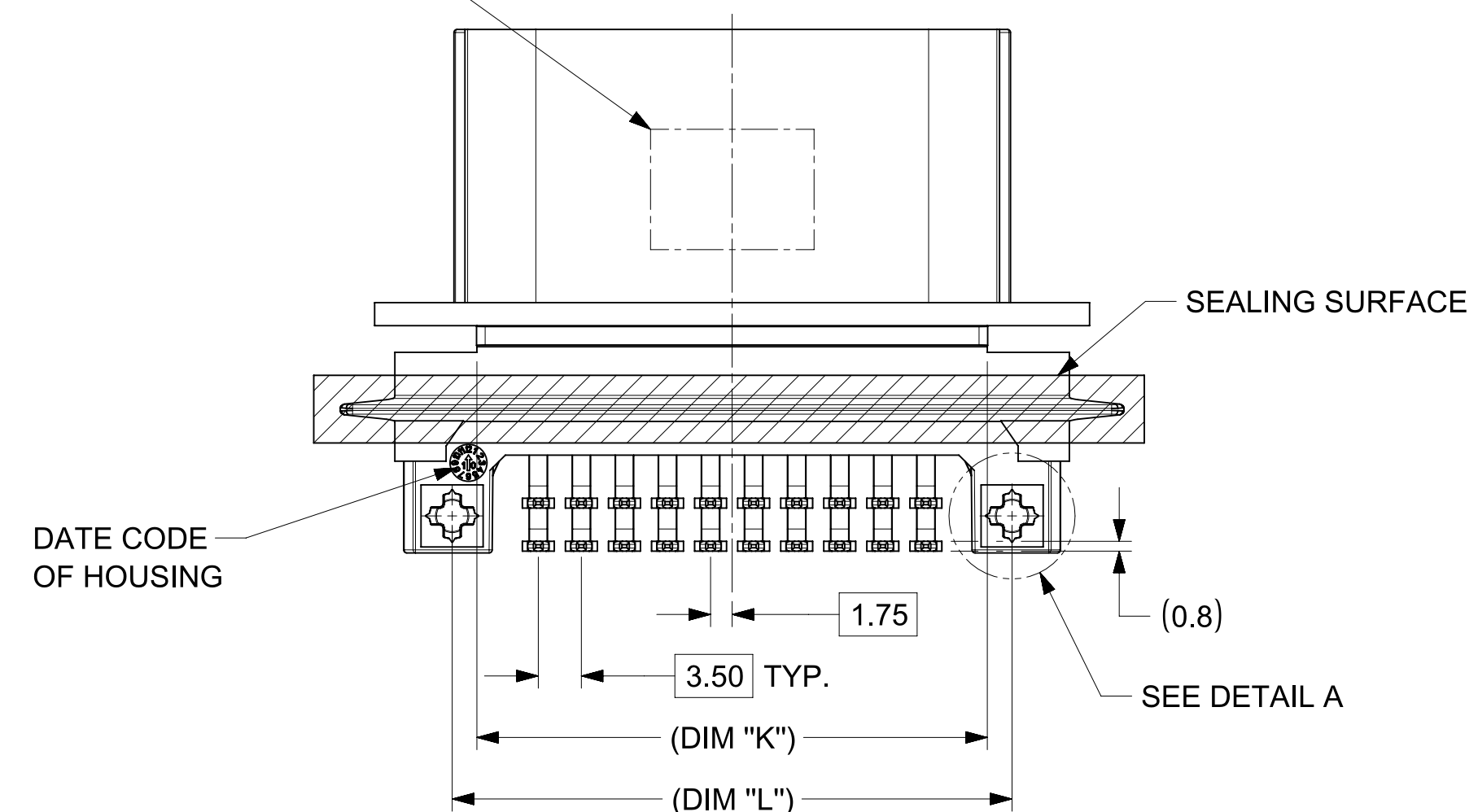
SOLDERTAIL SHOWN
(2X10 SHOWN)

NOTES UNLESS OTHERWISE SPECIFIED

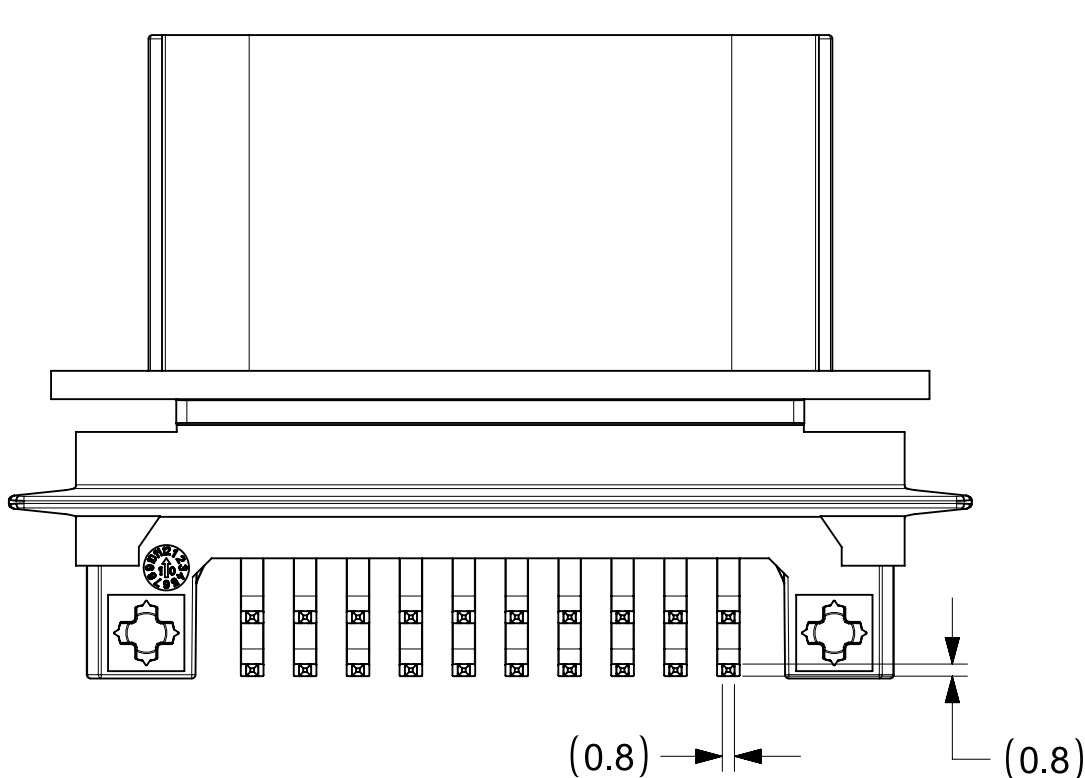
- GENERAL:
 - PARTS MUST BE IN COMPLIANCE TO MOLEX CHEMICAL SUBSTANCES FOR PRODUCTS AND PACKAGING SPECIFICATION: 2014040016
 - DATA MUST BE SUBMITTED UNDER THE MOLEX PART NUMBER TO IMDS (COMPANY ID#13255)
 - 1.5 PCB PRESS-FIT (COMPLIANT PIN) PER SD-31503-012 REV A
 - PCB INTENDED TO BE FR4 0.062" (1.6mm) THICK
- DESIGN - MATERIALS:
 - HOUSING: PBT 30%GF.
 - TERMINAL:
 - SOLDER VERSION: COPPER ALLOY.
 - COMPLIANT VERSION: COPPER ALLOY.
- DESIGN - GEOMETRY:
 - THIS IS A 100% CAD GENERATED PART. THE CAD MATHEMATICAL DATA IS THE MASTER FOR THIS PART. FOR DIMENSIONAL OR ANY INFORMATION NOT SHOWN ON THIS DRAWING, ANALYZE THE CAD MODEL.
 - PRODUCT DESIGN MODEL NUMBER(S): SEE BOM TABLE
 - GEOMETRIC DIMENSIONS AND TOLERANCES PER ASME Y14.5M - 1994
 - EDGES AND UNDIMENSIONED DETAILS PER ISO13715
 - CORNERS SHOWN AS SHARP TO BE R 0.2 MAX.
 - LETTERING SHALL BE 0.15 MAX RAISED. THIS INCLUDES RECYCLING CODE, CAVITY ID, MANUFACTURING LOCATION, AND MOLEX MATERIAL NUMBER.
- TRUE POSITIONS OF THE EONS AND SOLDERTAIL TO BE VERIFIED WITH A FUNCTIONAL GO/NO GO GAUGE.
- ALL DIMENSIONS APPLY TO THE PART AS SHIPPED FROM MOLEX. FINAL POSITIONING IS ACHIEVED WITH PCB APPLICATION TOOLING. REFERENCE AS-34829-001.
- LASER MARKING TO BE MARKED WITH:
 - HUMAN READABLE CODE (HRC)
 - PERMANENTLY APPLIED ON THE PART WITH 1.5mm LETTER SIZE
 - INFORMATION TO BE PRINTED
 - 9 DIGIT MOLEX MATERIAL NUMBER
 - 5 DIGIT JULIAN MANUFACTURING DATE STAMP DDDYY
- TRUE POSITION OF THE MATE SIDE CONNECTOR TO BE VERIFIED WITH A GO/NO-GO FUNCTIONAL GAGE
- ALL DIMENSION WITH OUT BALLOONS ARE NOT MEASURED. SURROGATE DATA FROM THE COMPONENT PRINT WILL BE USED TO MEET DIMENSIONAL REQUIREMENTS.
- EON (COMPLIANT PIN) DESIGN REQUIRES AN ASSEMBLY FIXTURE FOR INSTALLATION.



LASER MARKING TO BE SHOWN
IN THIS LOCATION
SEE NOTE 6

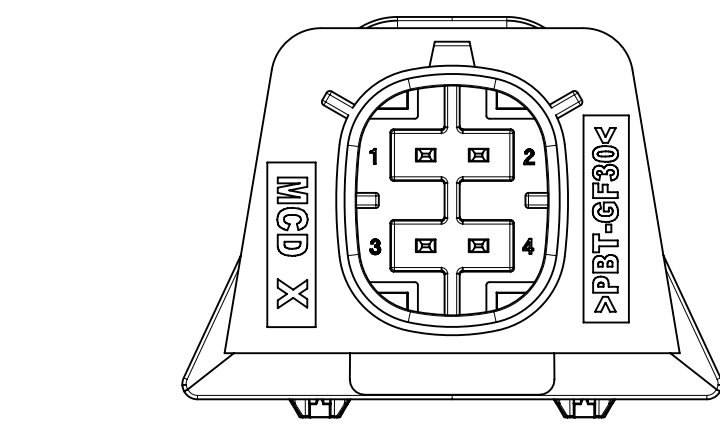


EON DESIGN

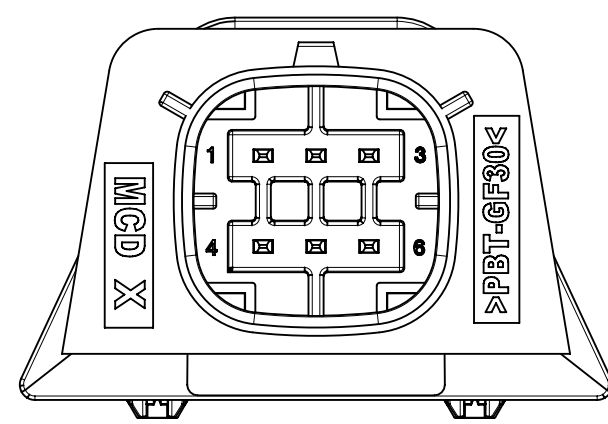


SOLDERTAIL DESIGN

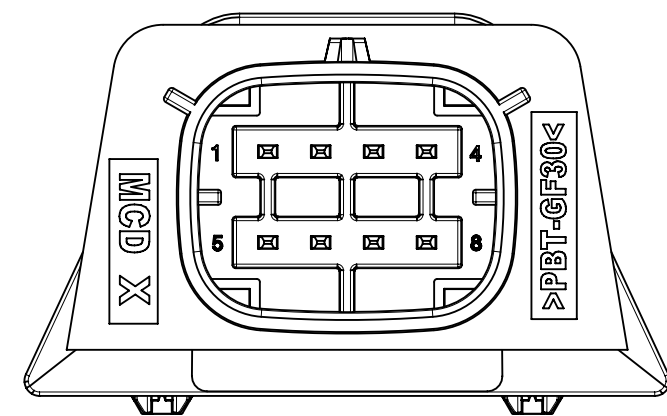
| | | | | | | | | | | | |
|---|--|---------------------|--|--|--|------------------------|--|-------------------|--|---|--|
| THIS DRAWING CONTAINS INFORMATION THAT IS PROPRIETARY TO MOLEX ELECTRONIC TECHNOLOGIES, LLC AND SHOULD NOT BE USED WITHOUT WRITTEN PERMISSION | | | | | | | | | | | |
| DIMENSION UNITS mm | | SCALE 2:1 | | CURRENT REV DESC: ADDED 2 COLOR CODES AND 4 PNs WITH GOLD PLATING AT CONTACT AREA FOR 2'4 HEADER | | | | | | MX150 DUAL ROW R/A HEADER ASSEMBLY | |
| GENERAL TOLERANCES (UNLESS SPECIFIED) | | | | EC NO: CO-000001796 | | | | | | | |
| ANGULAR TOL ± 3° | | | | DRWN: Yu Chao Fu 22-Nov-2022 | | | | DOCUMENT NUMBER | | DOC TYPE DOC PART REVISION | |
| 4 PLACES ± 0 | | | | CHK'D: Elvis Song 06-Dec-2022 | | | | SD-34829-001 | | PSD 001 A5 | |
| 3 PLACES ± 0 | | | | APPR: Colin Zhang 16-Dec-2022 | | | | INITIAL REVISION: | | | |
| 2 PLACES ± 0.13 | | | | DRWN: RFC_PLMIMP | | | | MATERIAL NUMBER | | CUSTOMER | |
| 1 PLACE ± 0.25 | | | | APPR: | | | | SEE SHEET 2 | | GENERAL MARKET | |
| 0 PLACES ± 0 | | | | DRAFT WHERE APPLICABLE MUST REMAIN WITHIN DIMENSIONS | | THIRD ANGLE PROJECTION | | DRAWING | | SHEET NUMBER | |
| | | | | D-SIZE | | 34829 | | SEE SHEET 2 | | 1 OF 3 | |



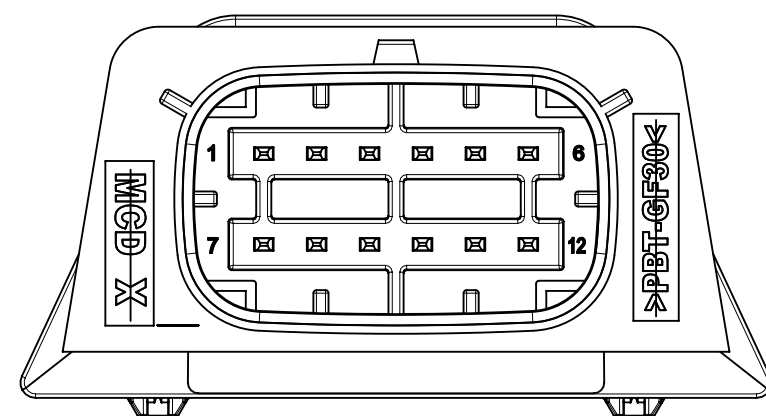
34829-04XX
34830-04XX



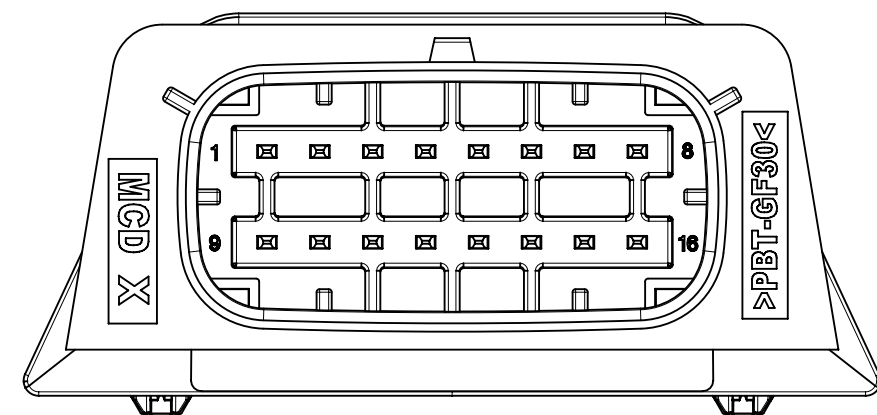
34829-06XX
34830-06XX



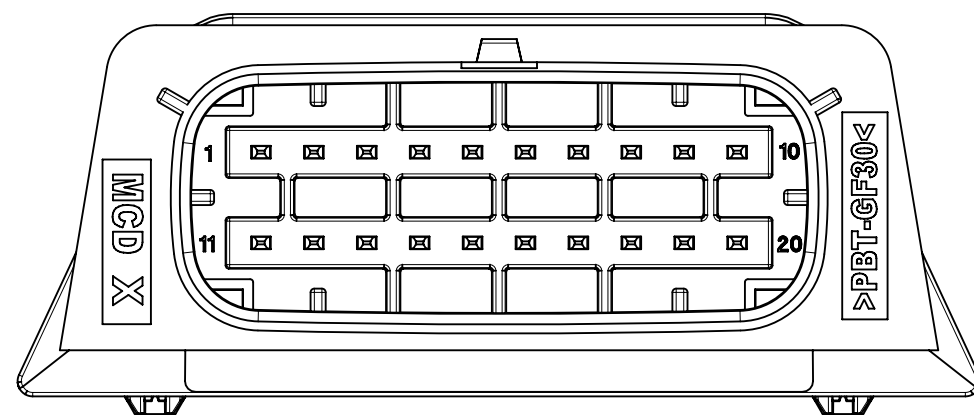
34829-08XX
34830-08XX



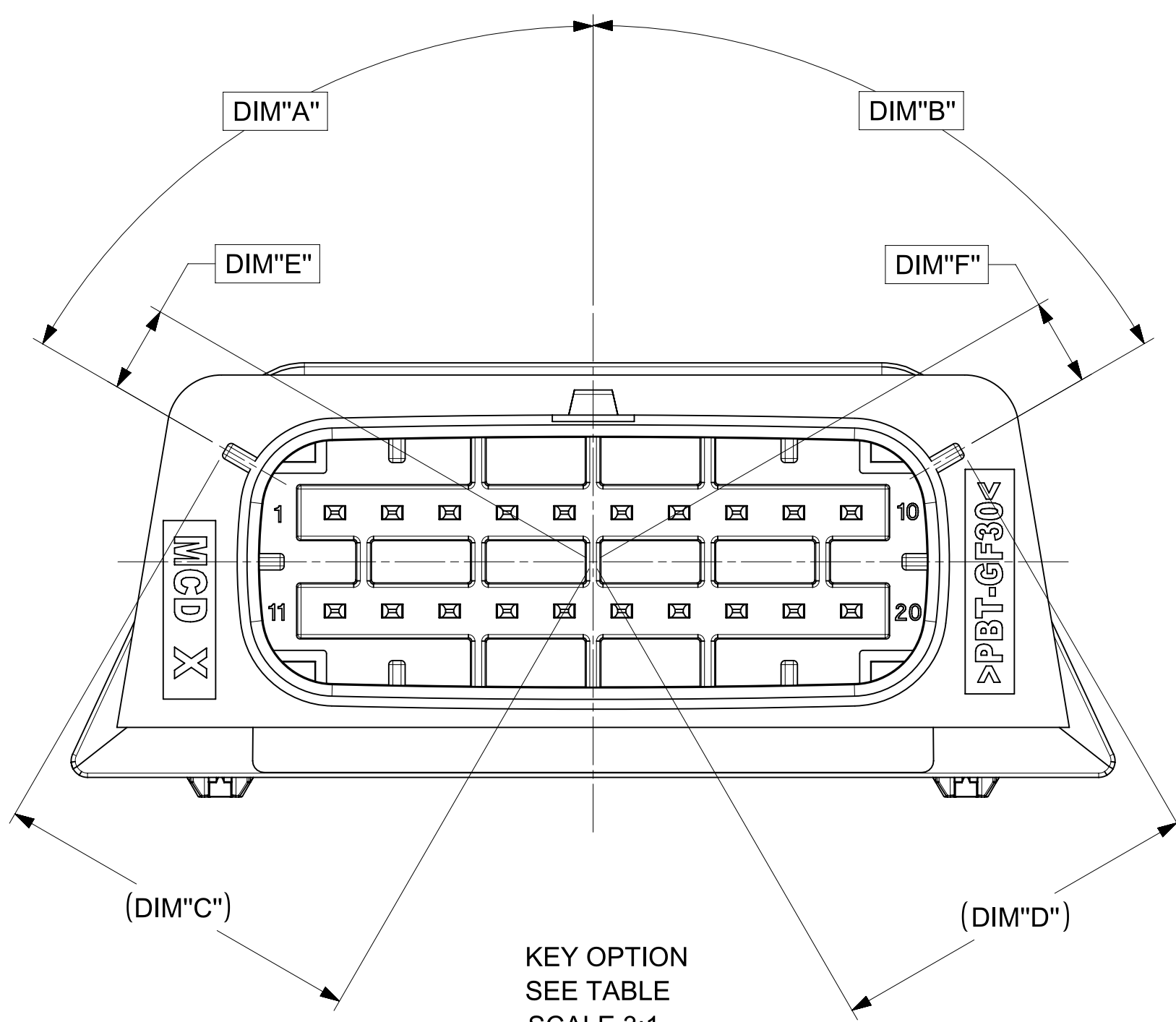
34829-12XX
34830-12XX



34829-16XX
34830-16XX



34829-20XX
34830-20XX

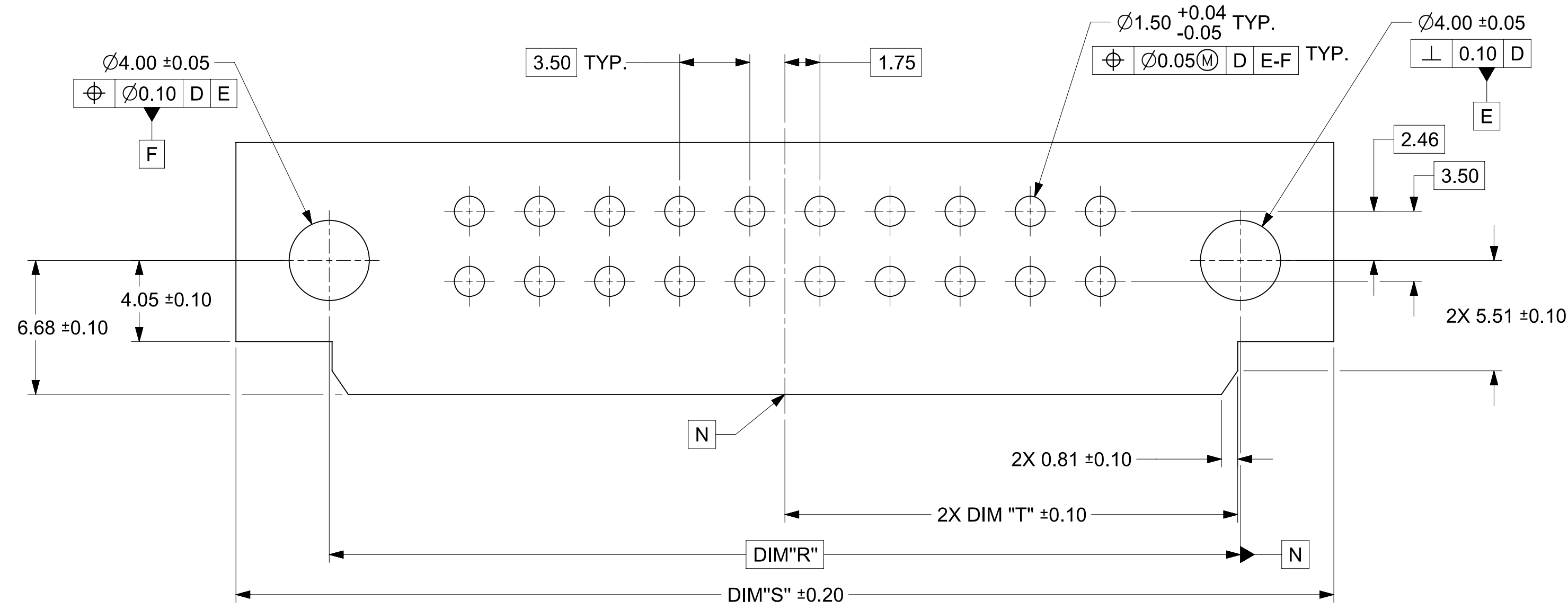


| MATERIAL NUMBER | | | DESCRIPTION | KEY CODING | COLOR | DIMENSION | | | | | | | | | | STATUS | | | |
|-----------------|------------|------------------------------|-----------------|------------|-----------|------------|-------|-------|-------|-------|-------|-------|-------|-------|-------|--------|----------|-------------------------------|----------|
| EON | SOLDERTAIL | A5 CONTACT AREA PLATING TYPE | | | | A | B | C | D | E | F | G | H | J | K | L | EON | SOLDERTAIL | |
| 348290401 | 348300401 | Sn | 2x2 WAY HEADER | A | BLACK | 60° | 60° | 10.75 | 10.75 | 1.73 | 1.73 | 4.53 | 13.24 | 36.83 | 13.54 | 17.50 | OBSOLETE | DESIGN CONCEPT | |
| 348290402 | 348300402 | | | B | LT GRAY | 40° | 60° | 11.16 | 10.75 | 0.57 | 1.73 | | | | | | | | |
| 348290403 | 348300403 | | | C | DK GRAY | 60° | 40° | 10.75 | 11.16 | 1.73 | 0.57 | | | | | | | | |
| 348290404 | 348300404 | | | D | BLACK | 40° | 40° | 11.16 | 11.16 | 0.57 | 0.57 | | | | | | | | |
| 348290601 | 348300601 | Sn | 2x3 WAY HEADER | A | BLACK | 60° | 60° | 12.27 | 12.27 | 0.86 | 0.86 | 8.03 | 16.74 | 40.33 | 17.04 | 21.00 | OBSOLETE | DESIGN CONCEPT | |
| 348290602 | 348300602 | | | B | LT GRAY | 25° | 60° | 11.93 | 12.27 | 1.94 | 0.86 | | | | | | | | |
| 348290603 | 348300603 | | | C | DK GRAY | 60° | 25° | 12.27 | 11.93 | 0.86 | 1.94 | | | | | | | | |
| 348290604 | 348300604 | | | D | BLACK | 25° | 25° | 11.93 | 11.93 | 1.94 | 1.94 | | | | | | | | |
| 348290801 | 348300801 | Sn | 2x4 WAY HEADER | A | BLACK | 60° | 60° | 13.78 | 13.78 | 0.02 | 0.02 | 11.53 | 20.24 | 43.83 | 20.54 | 24.50 | OBSOLETE | SALEABLE | |
| 348290802 | 348300802 | | | B | LT GRAY | 25° | 60° | 12.67 | 13.78 | 3.53 | 0.02 | | | | | | | NOT RECOMMENDED SEE 348300805 | |
| 348290803 | 348300803 | | | C | DK GRAY | 60° | 25° | 13.78 | 12.67 | 0.02 | 3.53 | | | | | | | SALEABLE | |
| 348290804 | 348300804 | | | D | BLACK | 25° | 25° | 12.67 | 12.67 | 3.53 | 3.53 | | | | | | | | |
| A5 | - | Au | 2x4 WAY HEADER | B | LT GRAY-1 | 25° | 60° | 12.67 | 13.78 | 3.53 | 0.02 | 11.53 | 20.24 | 43.83 | 20.54 | 24.50 | - | SALEABLE | |
| A5 | - | | | 348300805 | D | STONE GRAY | 25° | 25° | 12.67 | 12.67 | 3.53 | | | | | | | | 3.53 |
| A5 | - | | | 348300851 | A | BLACK | 60° | 60° | 13.78 | 13.78 | 0.02 | | | | | | | | 0.02 |
| A5 | - | | | 348300852 | B | LT GRAY-1 | 25° | 60° | 12.67 | 13.78 | 3.53 | | | | | | | | 0.02 |
| A5 | - | 348300853 | C | DK GRAY | 60° | 25° | 13.78 | 12.67 | 0.02 | 3.53 | 11.53 | 20.24 | 43.83 | 20.54 | 24.50 | - | SALEABLE | | |
| A5 | - | 348300854 | D | STONE GRAY | 25° | 25° | 12.67 | 12.67 | 3.53 | 3.53 | | | | | | | | | |
| 348291201 | 348301201 | Sn | 2x6 WAY HEADER | A | BLACK | 60° | 60° | 16.81 | 16.81 | 1.77 | 1.77 | 18.53 | 27.24 | 50.83 | 27.54 | 31.50 | OBSOLETE | DESIGN CONCEPT | |
| 348291202 | 348301202 | | | B | LT GRAY | 25° | 60° | 14.14 | 16.81 | 6.70 | 1.77 | | | | | | | | |
| 348291203 | 348301203 | | | C | DK GRAY | 60° | 25° | 16.81 | 14.14 | 1.77 | 6.70 | | | | | | | | |
| 348291204 | 348301204 | | | D | BLACK | 25° | 25° | 14.14 | 14.14 | 6.70 | 6.70 | | | | | | | | |
| 348291601 | 348301601 | Sn | 2x8 WAY HEADER | A | BLACK | 60° | 60° | 19.85 | 19.85 | 3.52 | 3.52 | 25.53 | 34.24 | 57.83 | 34.54 | 38.50 | OBSOLETE | DESIGN CONCEPT | |
| 348291602 | 348301602 | | | B | LT GRAY | 25° | 60° | 15.62 | 19.85 | 9.87 | 3.52 | | | | | | | | |
| 348291603 | 348301603 | | | C | DK GRAY | 60° | 25° | 19.85 | 15.62 | 3.52 | 9.87 | | | | | | | | |
| 348291604 | 348301604 | | | D | BLACK | 25° | 25° | 15.62 | 15.62 | 9.87 | 9.87 | | | | | | | | |
| 348292001 | 348302001 | Sn | 2x10 WAY HEADER | A | BLACK | 60° | 60° | 22.88 | 22.88 | 5.27 | 5.27 | 32.53 | 41.24 | 64.83 | 41.54 | 45.50 | OBSOLETE | SALEABLE | |
| 348292002 | 348302002 | | | B | LT GRAY | 25° | 60° | 17.10 | 22.88 | 13.05 | 5.27 | | | | | | | SALEABLE | |
| 348292003 | 348302003 | | | C | DK GRAY | 60° | 25° | 22.88 | 17.10 | 5.27 | 13.05 | | | | | | | | |
| 348292004 | 348302004 | | | D | BLACK | 25° | 25° | 17.10 | 17.10 | 13.05 | 13.05 | | | | | | | | |
| - | 348302006 | | | B | NATURAL | 25° | 60° | 17.10 | 22.88 | 13.05 | 5.27 | | | | | | | - | SALEABLE |
| - | 348302007 | | | D | LT GARY | 25° | 25° | 17.10 | 17.10 | 13.05 | 13.05 | | | | | | | | |

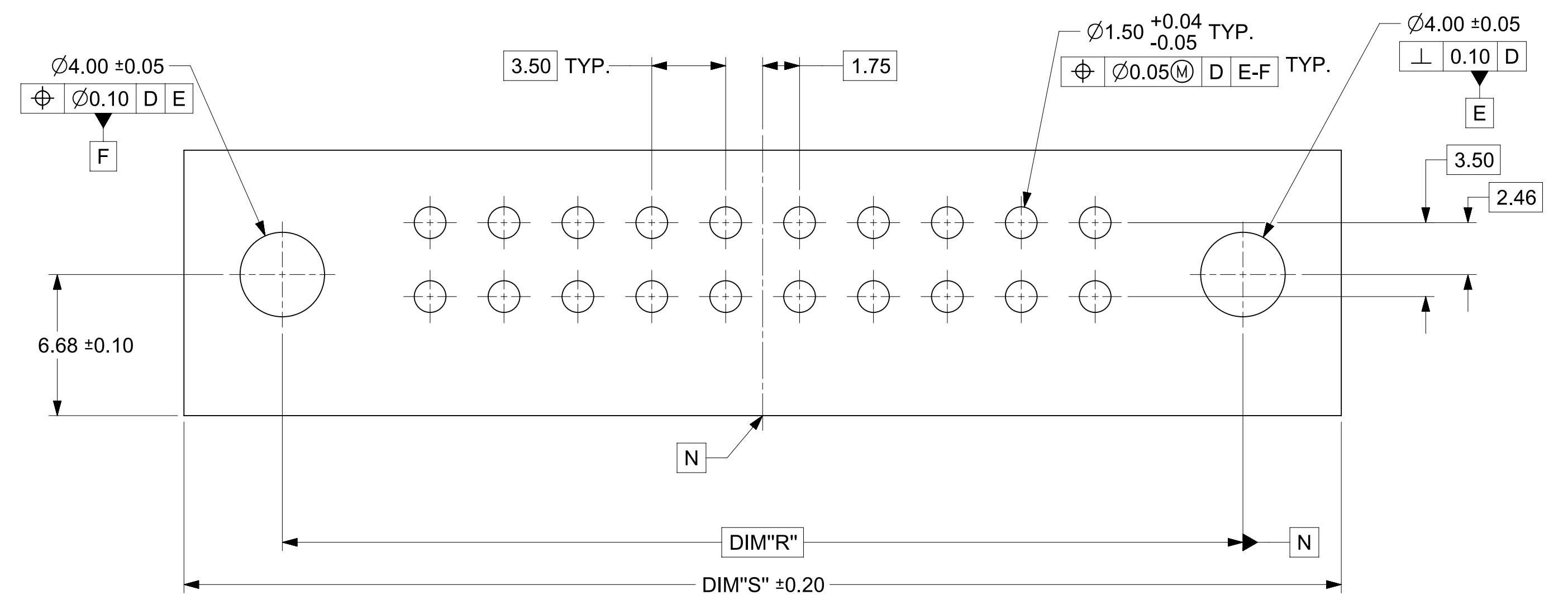
THIS DRAWING CONTAINS INFORMATION THAT IS PROPRIETARY TO MOLEX ELECTRONIC TECHNOLOGIES, LLC AND SHOULD NOT BE USED WITHOUT WRITTEN PERMISSION

| | | | | | |
|--|--------|--|--|--|--|
| DIMENSION UNITS | SCALE | CURRENT REV DESC: ADDED 2 COLOR CODES AND 4 PNs WITH GOLD PLATING AT CONTACT AREA FOR 2'4 HEADER | | | |
| mm | 2:1 | | | | |
| GENERAL TOLERANCES (UNLESS SPECIFIED) | | EC NO: CO-000001796 | MX150 DUAL ROW R/A HEADER ASSEMBLY | | |
| ANGULAR TOL | ± 3° | DRWN: Yu Chao Fu 22-Nov-2022 | | | |
| 4 PLACES | ± 0 | CHK'D: Elvis Song 06-Dec-2022 | PRODUCT SALES DRAWING | | |
| 3 PLACES | ± 0 | APPR: Colin Zhang 16-Dec-2022 | | | |
| 2 PLACES | ± 0.13 | INITIAL REVISION: | DOCUMENT NUMBER: SD-34829-001 | | |
| 1 PLACE | ± 0.25 | DRWN: RFC_PLMIMP | | | |
| 0 PLACES | ± 0 | APPR: | MATERIAL NUMBER: SEE TABLE CUSTOMER: GENERAL MARKET SHEET NUMBER: 2 OF 3 | | |
| DRAFT WHERE APPLICABLE MUST REMAIN WITHIN DIMENSIONS | | THIRD ANGLE PROJECTION | | | |

PCB INTERFACE (FOR REFERENCE ONLY)



PCB LAYOUT FOR EON
TOWARD HARNESS CONNECTOR



PCB LAYOUT FOR SOLDERTAIL
TOWARD HARNESS CONNECTOR



| DESCRIPTION | DIMENSIONS | | |
|-------------|------------|-------|-------|
| | R | S | T |
| 2X2 HEADER | 17.50 | 26.82 | 8.61 |
| 2X3 HEADER | 21.00 | 30.32 | 10.36 |
| 2X4 HEADER | 24.50 | 33.82 | 12.11 |
| 2X5 HEADER | 31.50 | 40.82 | 15.61 |
| 2X6 HEADER | 38.50 | 47.82 | 19.11 |
| 2X10 HEADER | 45.50 | 54.82 | 22.61 |

THIS DRAWING CONTAINS INFORMATION THAT IS PROPRIETARY TO MOLEX ELECTRONIC TECHNOLOGIES, LLC AND SHOULD NOT BE USED WITHOUT WRITTEN PERMISSION

| | | | | | |
|--|---------------------|--|-----------------------|--------------|----------------|
| DIMENSION UNITS mm | SCALE 5:1 | CURRENT REV DESC: ADDED 2 COLOR CODES AND 4 PNs WITH GOLD PLATING AT CONTACT AREA FOR 2*4 HEADER | | | |
| GENERAL TOLERANCES (UNLESS SPECIFIED) | | EC NO: CO-000001796 | | | |
| ANGULAR TOL ± 3° | 4 PLACES ± 0 | DRWN: Yu Chao Fu 22-Nov-2022 | PRODUCT SALES DRAWING | | |
| 3 PLACES ± 0 | 2 PLACES ± 0.13 | CHK'D: Elvis Song 06-Dec-2022 | DOCUMENT NUMBER | | |
| 1 PLACE ± 0.25 | 0 PLACES ± 0 | APPR: Colin Zhang 16-Dec-2022 | SD-34829-001 | | DOC TYPE |
| DRAFT WHERE APPLICABLE MUST REMAIN WITHIN DIMENSIONS | | THIRD ANGLE PROJECTION | DRAWING | SERIES | CUSTOMER |
| | | | D-SIZE | 34829 | GENERAL MARKET |
| | | | | | SHEET NUMBER |
| | | | | | 3 OF 3 |