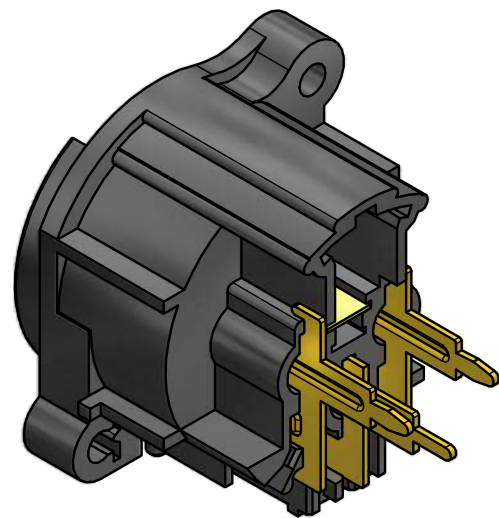
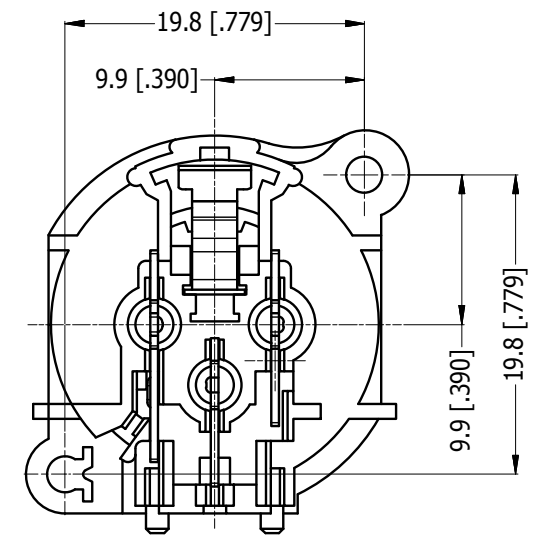
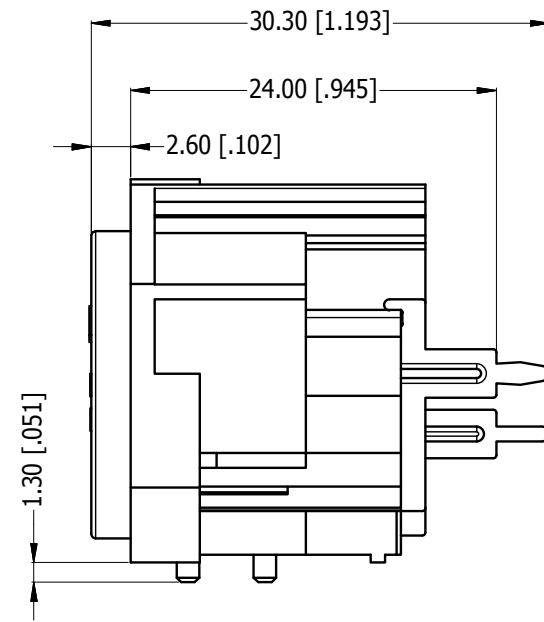
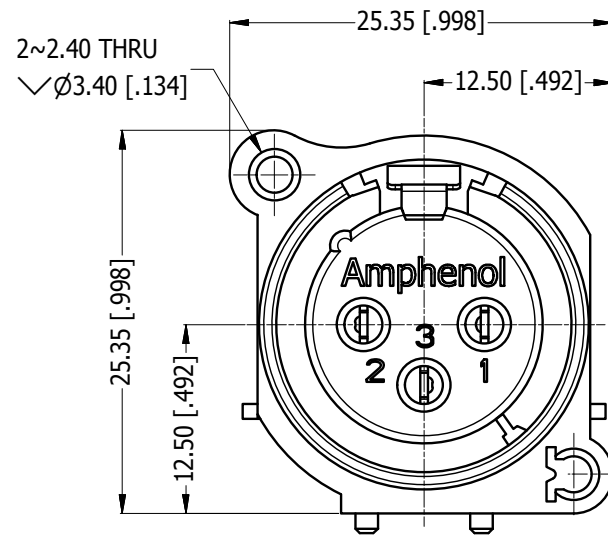
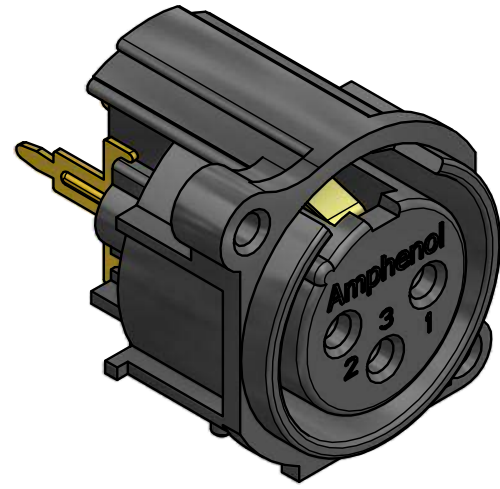
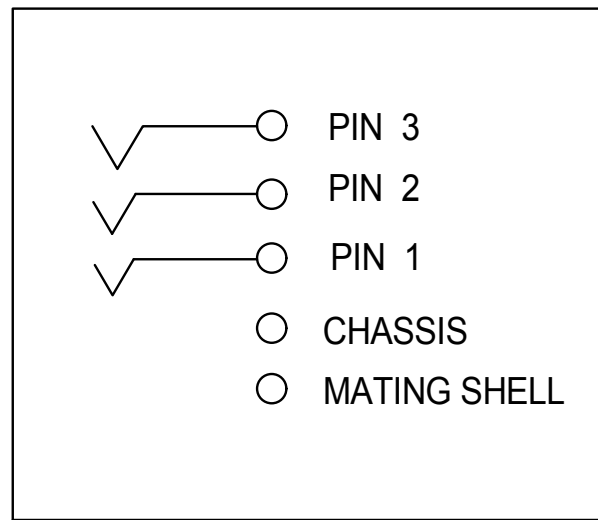


LEGEND = KEY PRODUCT CHARACTERISTICS

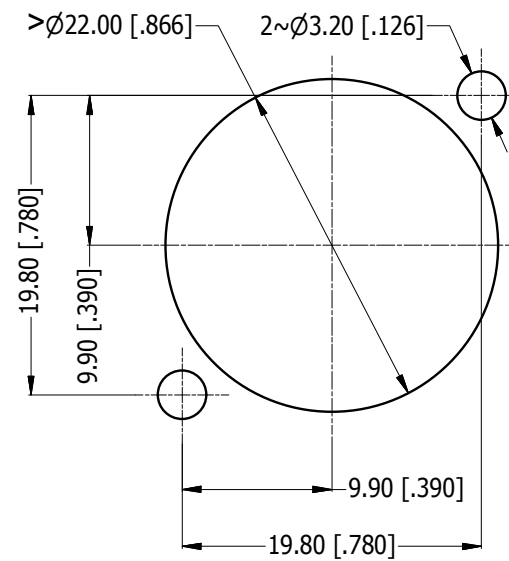
REVISION HISTORY				
REV	DESCRIPTION	DATE	BY	CHG/No
0	FIRST ISSUE	08/10/2014	MH	---



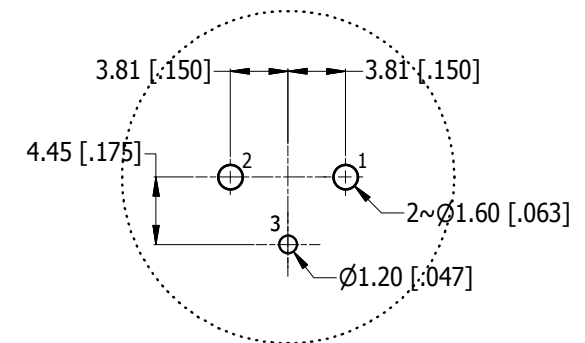
ISO VIEW



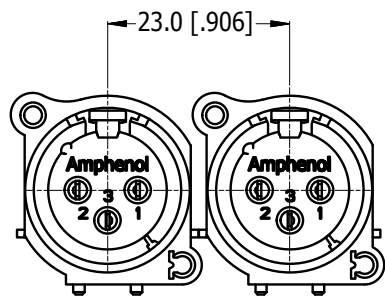
SCHEMATIC CHART



**PANEL CUT OUT
REAR VIEW**



**PCB-LAYOUT
COMPONENT SIDE
TOLERANCE: $\pm 0.05\text{mm}$ [.002"]**



**MIN MOUNTING PITCH
SCALE 1:1**

UNLESS OTHERWISE SPECIFIED TOLERANCE TO BE		THIS DOCUMENT IS THE PROPERTY OF AMPHENOL AUSTRALIA PTY. LTD. NO PART THEREOF MAY BE REPRODUCED AND USED WITHOUT THE PRIOR WRITTEN CONSENT OF THE OWNER				Amphenol Amphenol Australia Pty.Ltd, 22 Industry Blvd, Carrum Downs, VIC 3201	
LINEAR	ANGULAR	MATERIAL:	DRN: MH	DATE: 08/10/2014	TITLE:	PART No:	
X ±0.5	X' ±1	REFER TO COMPONENT	CKD: M.H	DATE: 08/10/2014	AC3FAVL-AU-PRE VERTICAL FEMALE CUSTOMER DRAWING	AC3FAVL-AU-PRE	
X.X ±0.2	X.X' ±30'	BREAK ALL SHARP EDGES AND REMOVE ALL BURRS	APP'D: P.M	DATE: 08/10/2014	DRAWING NO.	SHEET	
X.XX ±0.1	X.XX' ±15'	DO NOT SCALE	FINISH: REFER TO COMPONENT	SCALE: 2:1	SIZE: A3	55011053000220	55011053-000-2 2/2
DIMENSIONS IN MILLIMETRES		THIRD ANGLE PROJECTION					