

4

3

2

1

THIS DRAWING IS UNPUBLISHED.

RELEASED FOR PUBLICATION

20

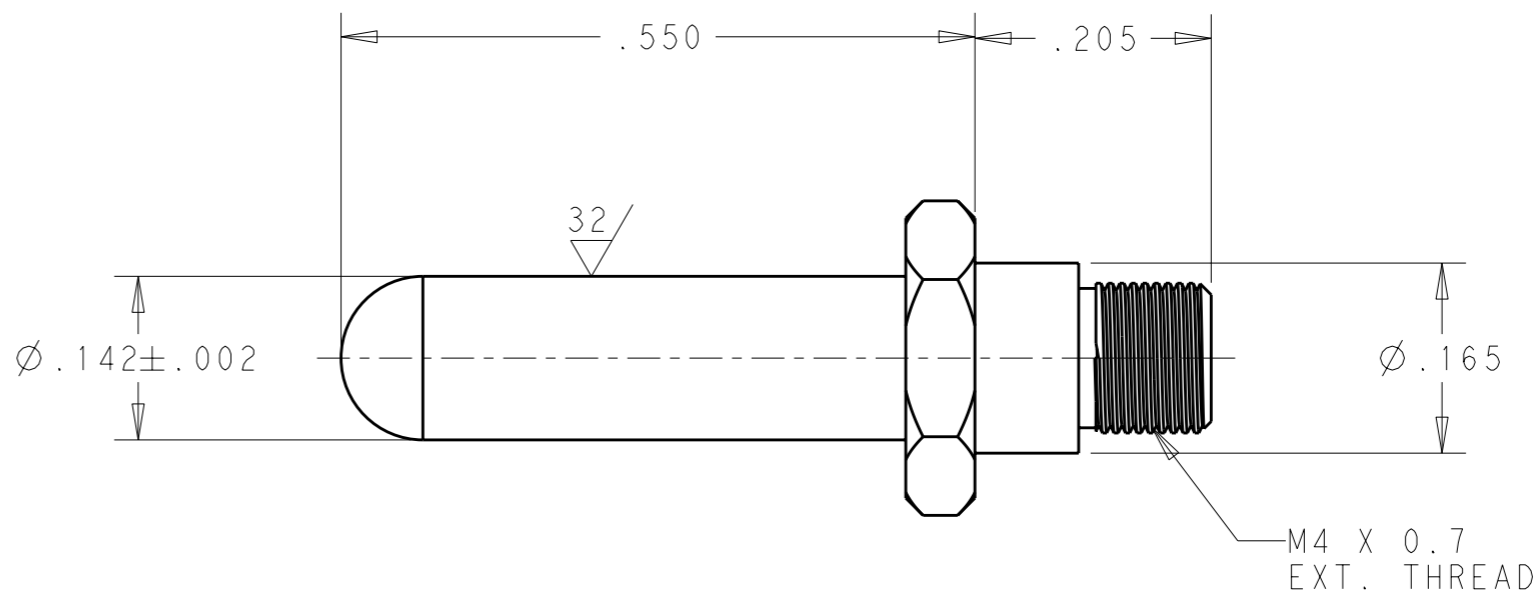
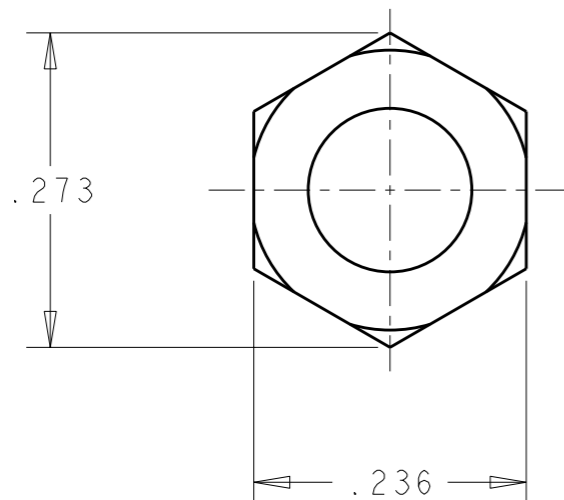
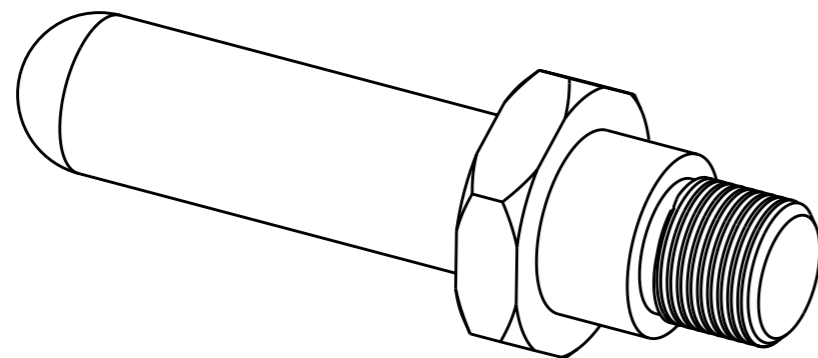
© COPYRIGHT 20

BY TYCO ELECTRONICS CORPORATION. ALL INTERNATIONAL RIGHTS RESERVED.

LOC GP DIST 00

REVISIONS

P	LTR	DESCRIPTION	DATE	DWN	APVD
	A	RELEASED PER ECO-11-014866	07OCT2011	RG	DO



1 MATERIAL: COPPER ALLOY

2 FINISH: GOLD PLATE .000030 MIN THK. OVER NICKEL .000050 MIN THK.

AS SHOWN	2085308-1
DESCRIPTION	PART NUMBER

<small>THIS DRAWING IS A CONTROLLED DOCUMENT FOR TYCO ELECTRONICS CORPORATION IT IS SUBJECT TO CHANGE AND THE CONTROLLING ENGINEERING ORGANIZATION SHOULD BE CONTACTED FOR THE LATEST REVISION.</small>		DWN R.GRZYBOWSKI 21OCT2009 CHK D.ORRIS 21OCT2009 APVD M.PERCHERKE 21OCT2009		Tyco Electronics Harrisburg, PA 17105-3608	
DIMENSIONS: INCHES		TOLERANCES UNLESS OTHERWISE SPECIFIED:		NAME PIN CONTACT SIZE No.8	
		0 PLC ±- 1 PLC ±- 2 PLC ±.01 3 PLC ±.005 4 PLC ±- ANGLES ±-		PRODUCT SPEC - APPLICATION SPEC - WEIGHT -	
MATERIAL 1		FINISH 2		SIZE CAGE CODE DRAWING NO RESTRICTED TO A300779 C-2085308 -	
CUSTOMER DRAWING				SCALE 6:1 SHEET 1 OF 1 REV A	