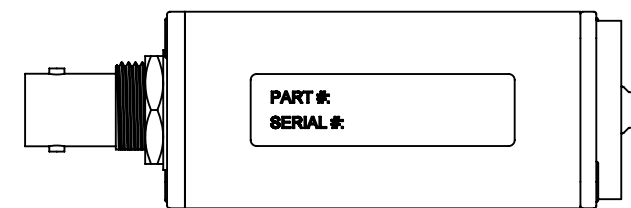
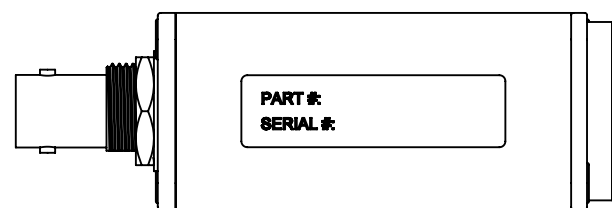
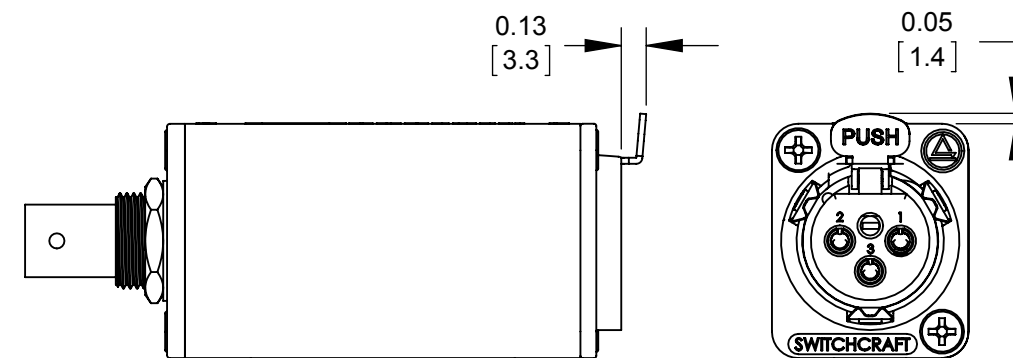
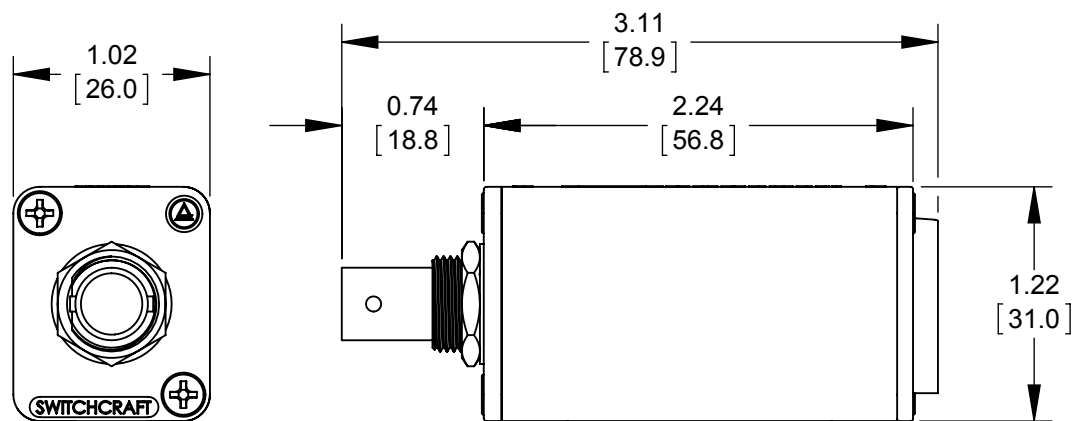
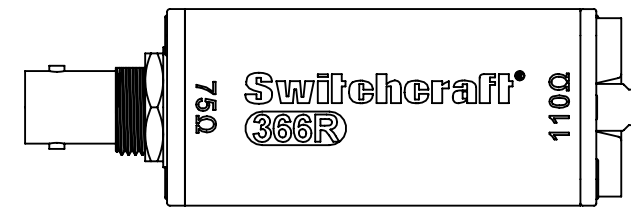
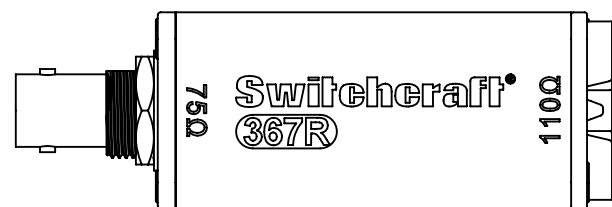




**367R**  
BNC TO XLR MALE



**366R**  
XLR FEMALE TO BNC



NOTES:

- FEATURES INCLUDE:  
XLR FEMALE TO BNC (366R)  
BNC TO XLR MALE (367R)  
ADAPTERS 75 OHM(BNC) TO 110 OHM (XLR)  
TRANSFORMER ISOLATION.
- MATERIALS:  
BNC JACK  
BODY - ZINC ALLOY, NICKEL PLATED  
CONTACTS - SPECIAL COPPER ALLOY, GOLD PLATED  
XLR CONNECTOR  
HOUSING - ZINC ALLOY, NICKEL PLATED  
CONTACTS - COPPER ALLOY, GOLD PLATED  
HOUSING - ALUMINUM, RED ANODIZED
- THESE PRODUCTS ARE RoHS COMPLIANT.

**CUSTOMER DRAWING**

					UNLESS OTHERWISE SPECIFIED					THIS DRAWING DESCRIBES A DESIGN CONSIDERED PROPRIETARY IN NATURE, DEVELOPED AND MANUFACTURED BY SWITCHCRAFT INC. AND IS RELEASED ON A CONFIDENTIAL BASIS FOR IDENTIFICATION PURPOSES ONLY.									
					1. ALL DIMENSIONS IN INCHES [mm] - TWO PLACE DECIMALS ±0.02 [0.5] - THREE PLACE DECIMALS ±0.005 [0.13]					SIZE		WIDTH		MULT		LBS/M		TEMPER	
					DO NOT SCALE DRAWING					FINISH				MATERIAL					
										SPEC No.				SPEC No.					
										FIRST USED ON				SCALE					
										DATE DRAWN				BY					
										01/13/12				AM					
										CHKD				APVD					
										PC				TJK					
										05/07/15				05/07/15					
										NAME				PART No.					
										BNC - XLR ADAPTERS, RoHS				366R-367R					
														SHEET 1 OF 1					
														REV					
														A					