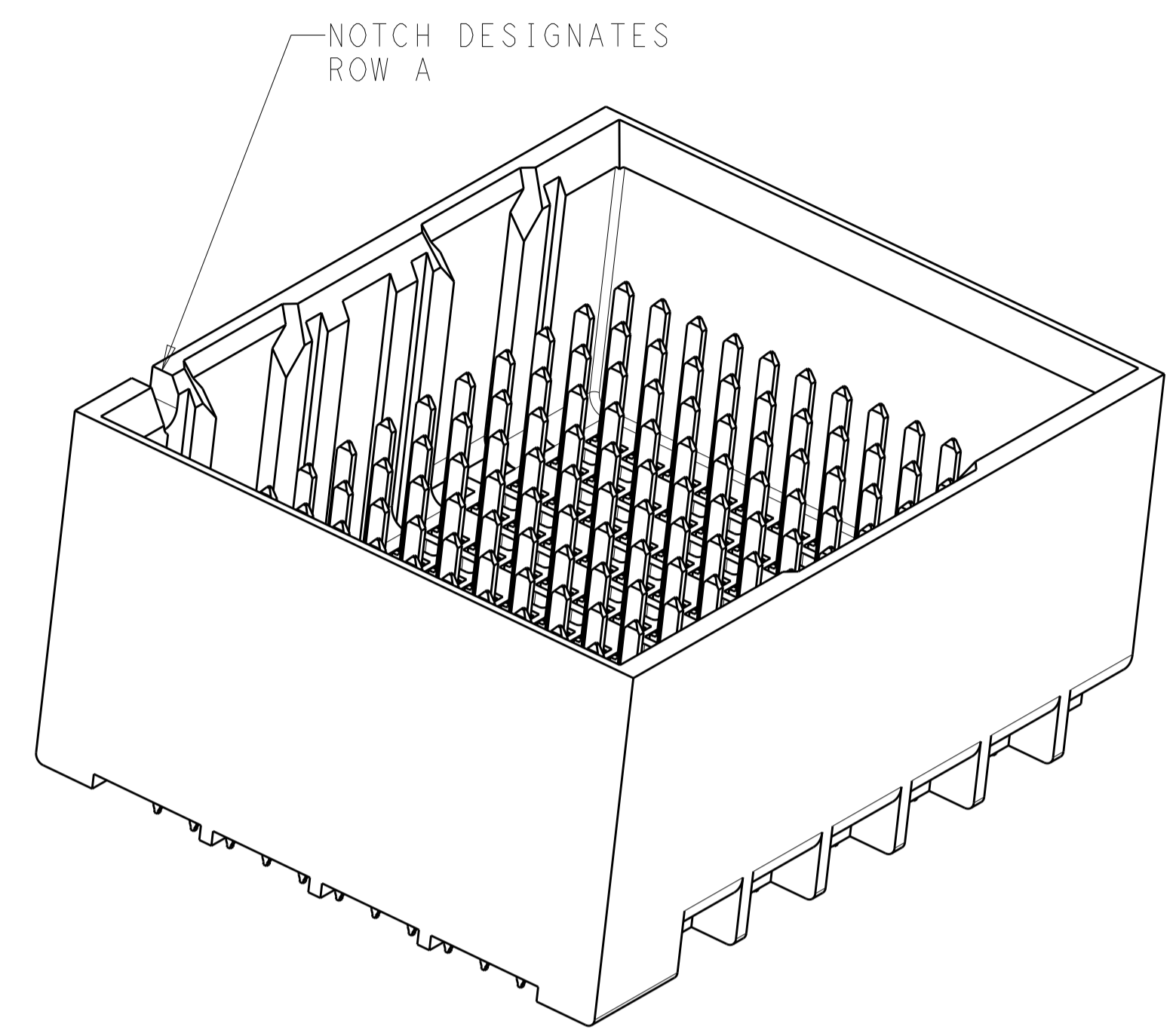
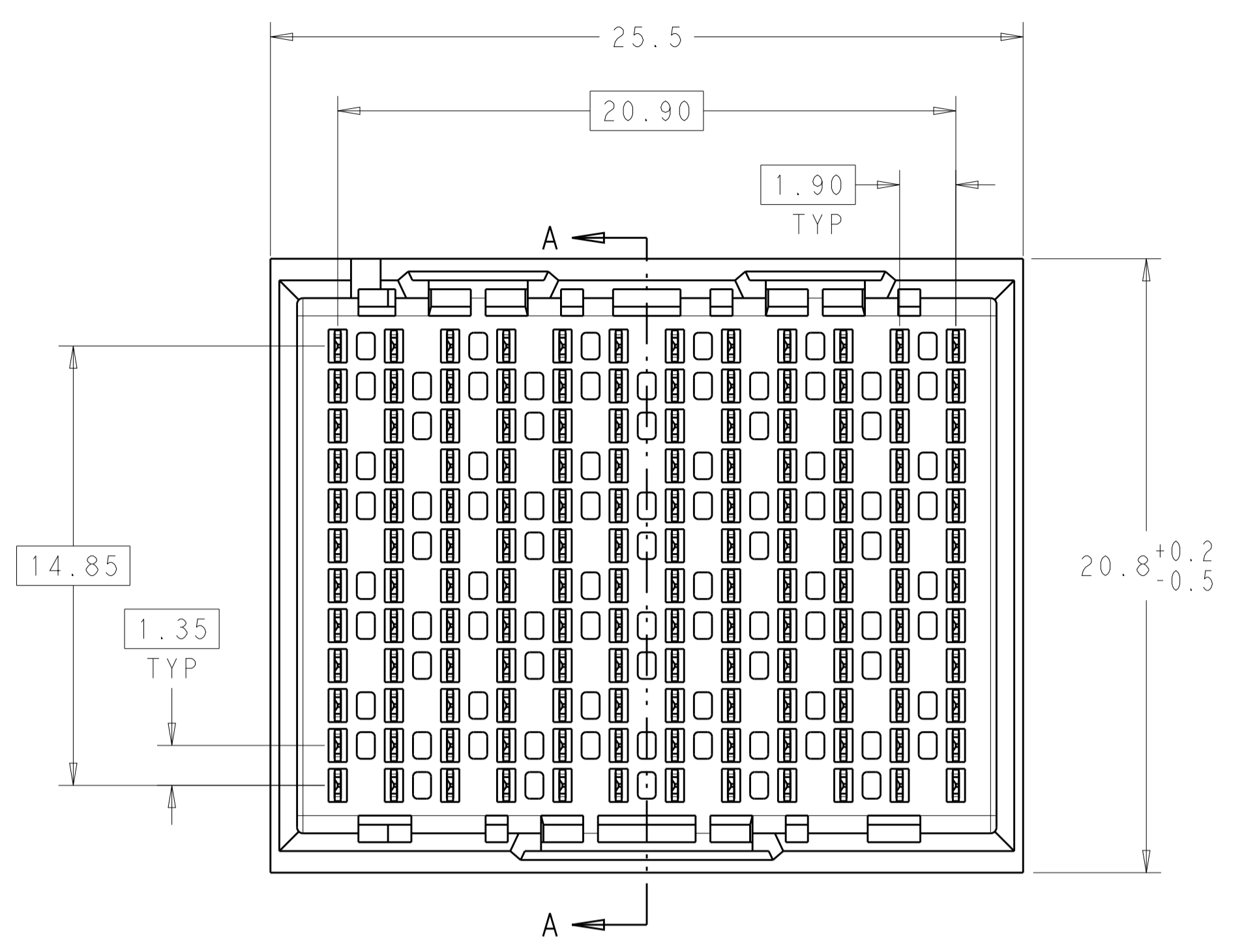
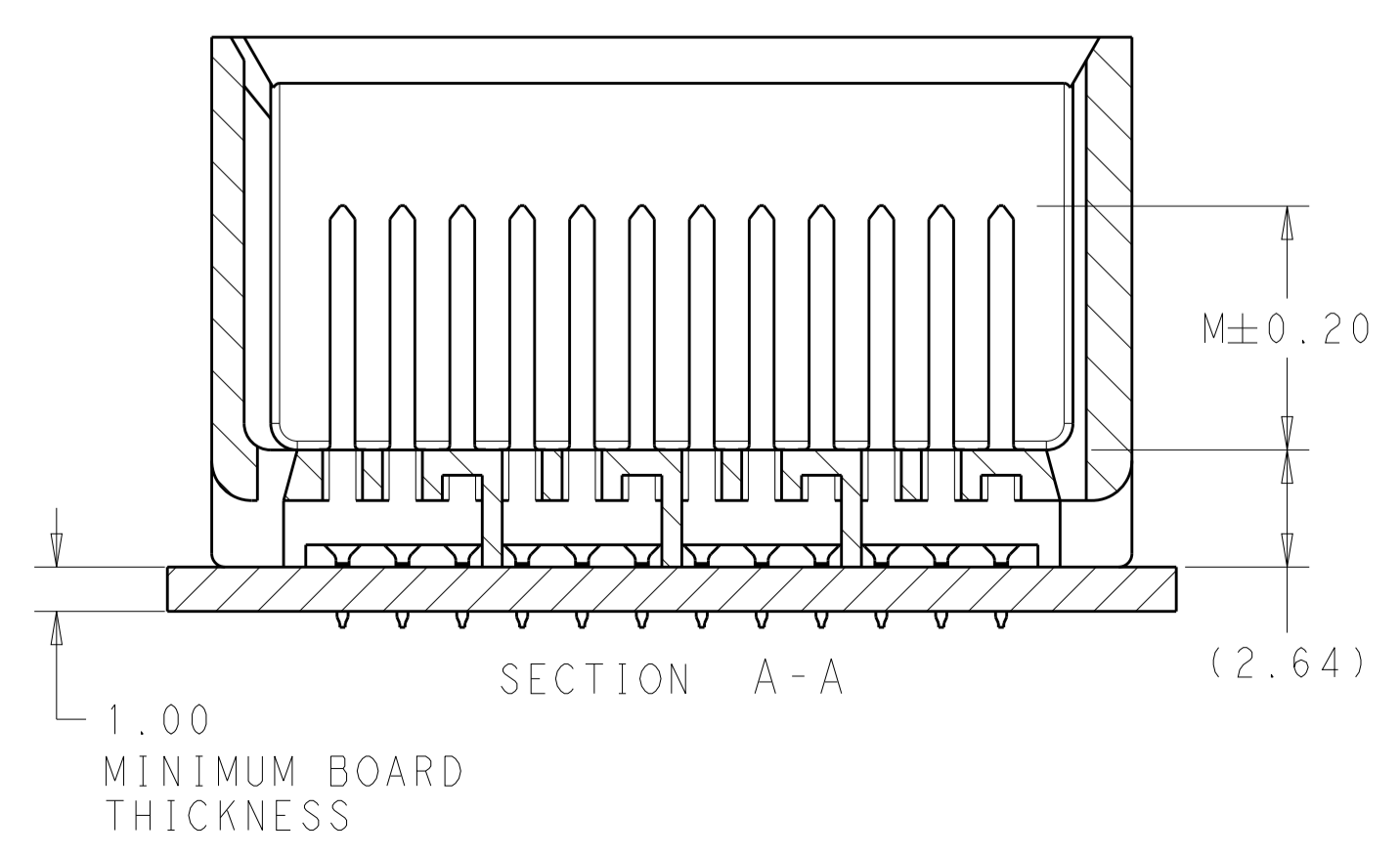
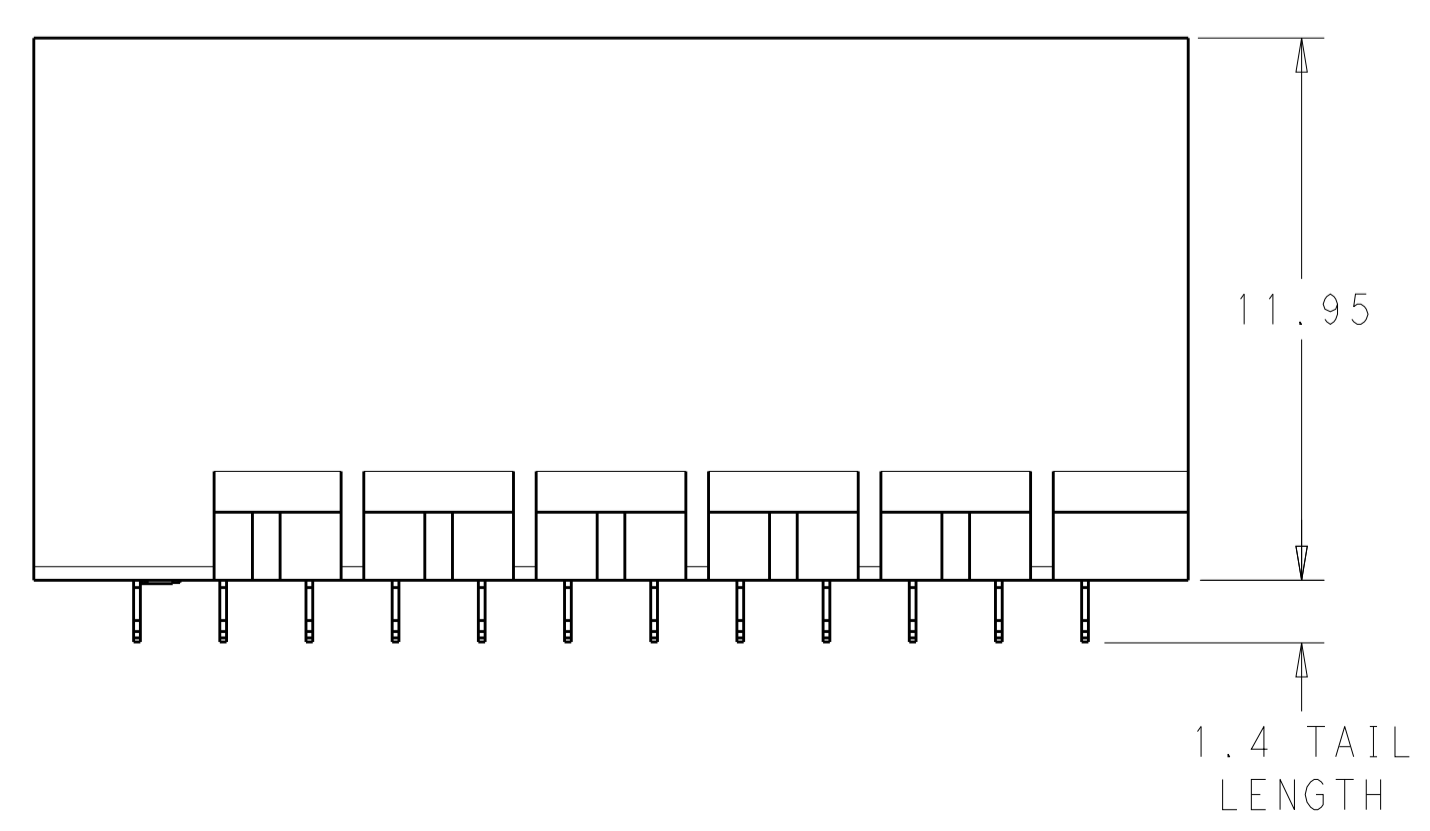
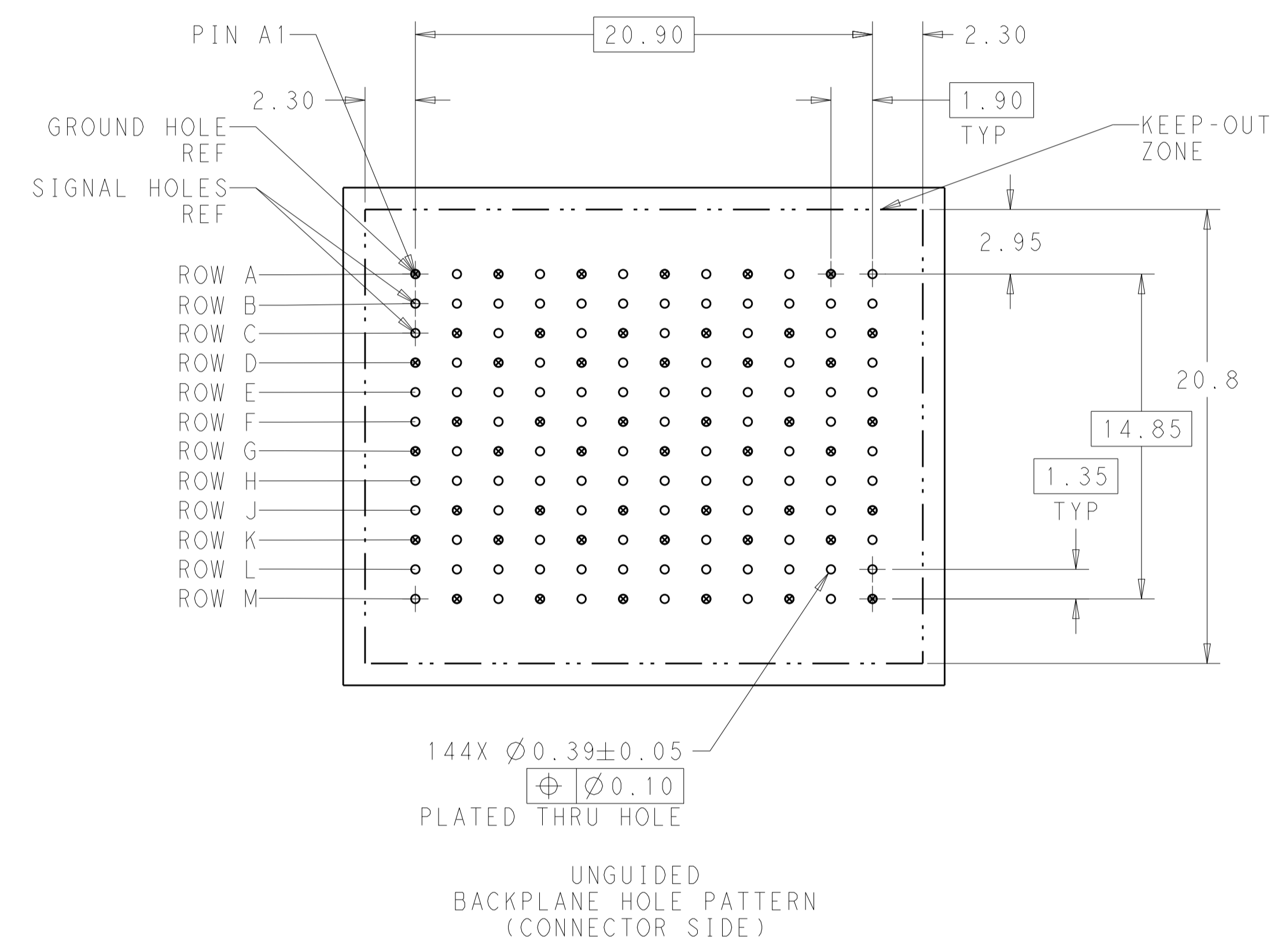


LOC		DIST		REVISIONS			
P	LTN	DESCRIPTION	DATE	DWN	APVD		
A1		REVISED PER ECO-15-001494	06FEB2015	AP	DD		



⚠ MATERIAL:  
HOUSING: LCP, GLASS FILLED, UL94V-0.  
TERMINALS: HIGH PERFORMANCE COPPER ALLOY.

⚠ FINISH:  
30μ" MIN GOLD IN CONTACT AREA. SELECTIVE TIN  
ON PCB TAILS, NICKEL OVERALL.



THIS DRAWING IS A CONTROLLED DOCUMENT.		DWN: B. CARBO 20JAN2012	TE Connectivity
DIMENSIONS: mm		CHK: D. YI 20JAN2012	
TOLERANCES UNLESS OTHERWISE SPECIFIED:		APVD: D. YI 20JAN2012	NAME: IMPACT, 4 PAIR, 12 COLUMN, HEADER
0 PLC ±	1 PLC ±0.25	PRODUCT SPEC	UNGUIDED, DUAL END WALL
2 PLC ±0.13	3 PLC ±	APPLICATION SPEC	SIGNAL MODULE, 0.39 PTH
4 PLC ±	ANGLES ±	SIZE: CAGE CODE DRAWING NO	RESTRICTED TO
MATERIAL: ⚠	FINISH: SEE TABLE	WEIGHT: -	A100779C=2149992
CUSTOMER DRAWING		SCALE: 6:1	SHEET 1 OF 2 REV: A1

THIS DRAWING IS UNPUBLISHED. RELEASED FOR PUBLICATION 20  
 © COPYRIGHT 20 BY - ALL RIGHTS RESERVED.

LOC		DIST		REVISIONS			
P	LTN	DESCRIPTION	DATE	DMN	APVD		
-		SEE SHEET 1	-	-	-		

FINISH	DIM M	PART NUMBER
	5.5	2149992-3
	4.9	2149992-2
	4.5	2149992-1

REFER TO WWW.TE.COM  
 FOR PRODUCT AVAILABILITY

THIS DRAWING IS A CONTROLLED DOCUMENT.		DMN B. CARBO	20JAN2012		TE Connectivity
DIMENSIONS: mm		CHK D. YI	20JAN2012		
TOLERANCES UNLESS OTHERWISE SPECIFIED: 0 PLC ± 1 PLC ±0.25 2 PLC ±0.13 3 PLC ± 4 PLC ± ANGLES ±		APVD D. YI	20JAN2012	NAME IMPACT, 4 PAIR, 12 COLUMN, HEADER UNGUIDED, DUAL END WALL SIGNAL MODULE, 0.39 PTH	
MATERIAL -		FINISH SEE TABLE	WEIGHT -	SIZE A100779	DRAWING NO C=2149992
CUSTOMER DRAWING			SCALE 5:1	SHEET 2	OF 2
			REV A1	RESTRICTED TO	