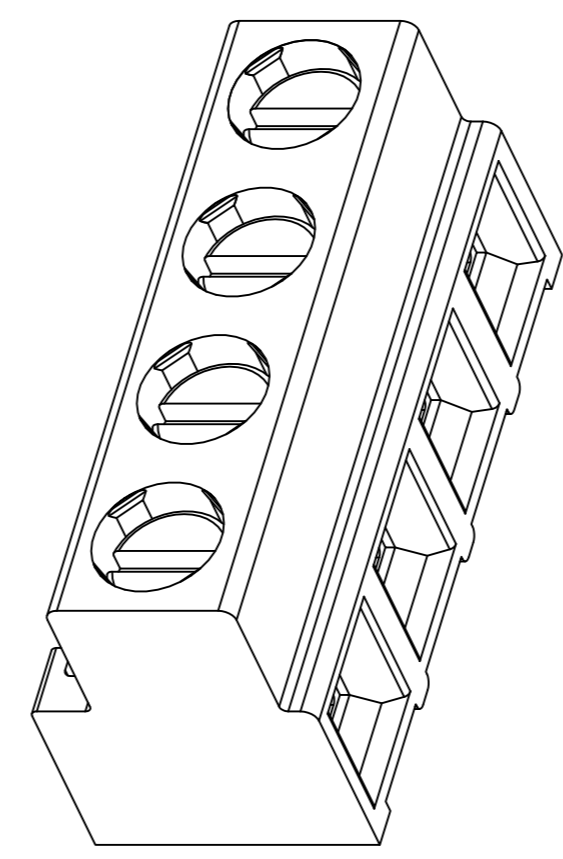
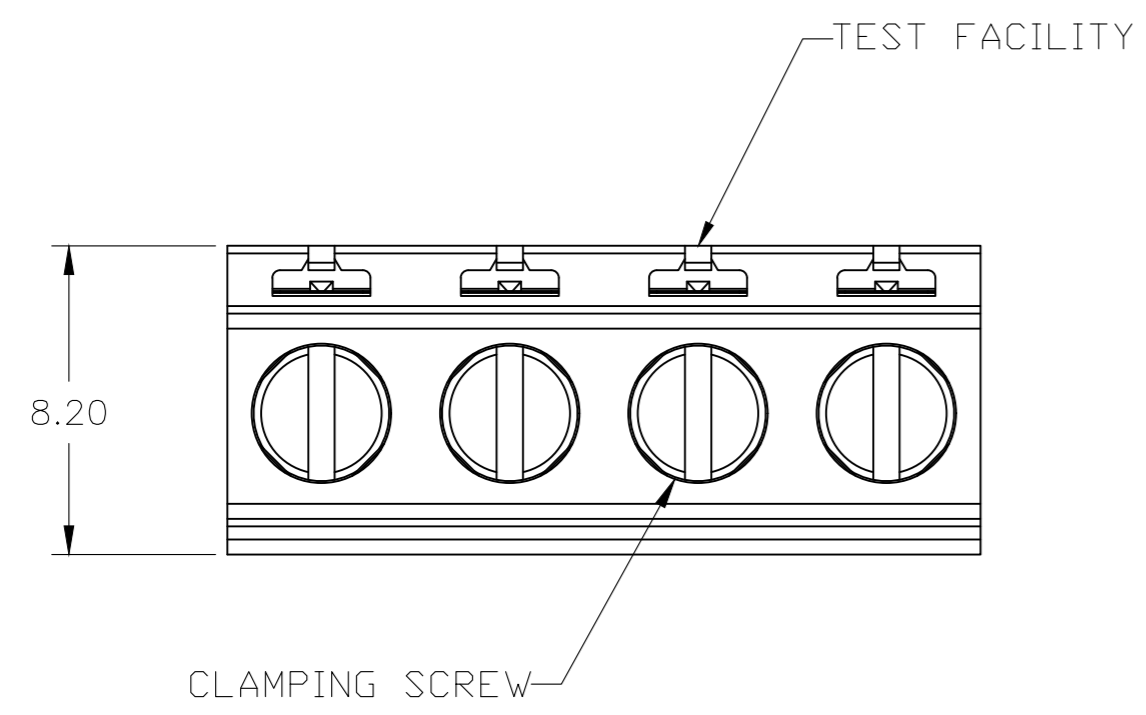


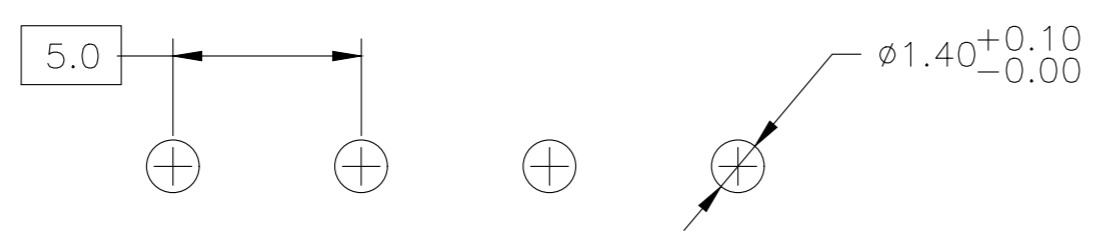
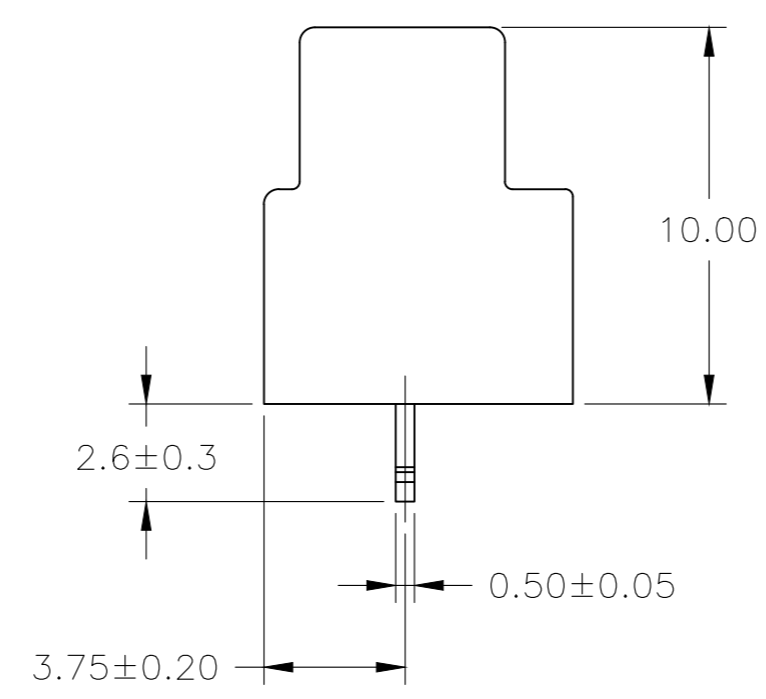
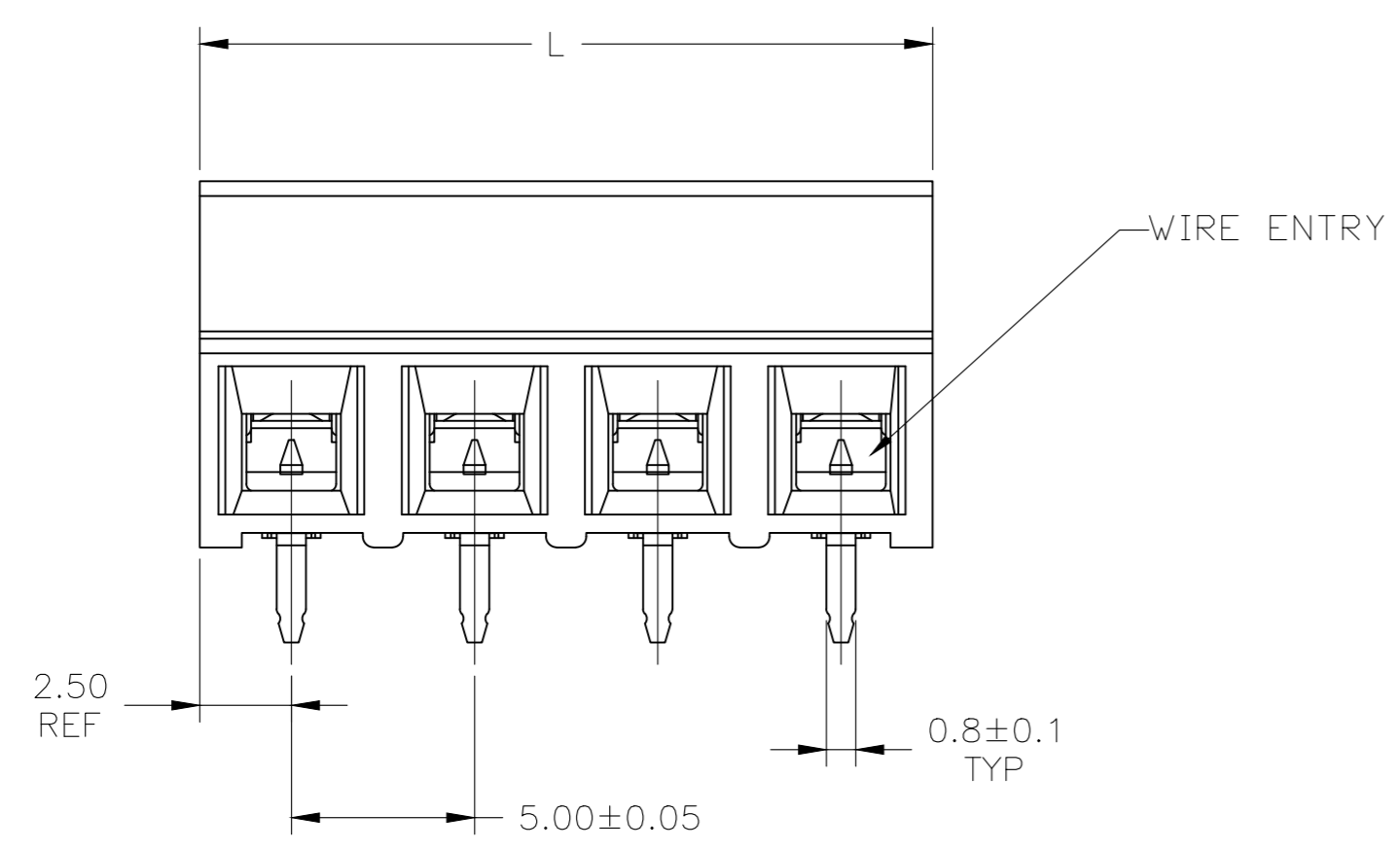
THIS DRAWING IS UNPUBLISHED. RELEASED FOR PUBLICATION
 © COPYRIGHT - TE Connectivity ALL RIGHTS RESERVED.

REVISIONS				
P	LTR	DESCRIPTION	DATE	APVD
	A2	PART STATUS UPDATED	11JAN2018	RK PS



1776118-4 AS SHOWN

- 1 MATERIAL AND FINISH:
 HOUSING: HIGH TEMP POLYAMIDE, UL 94V-0 RATED,
 COLOR - BLACK
 CLAMP: BRASS, NICKEL PLATED
 TERMINAL: BRASS, TIN PLATED
 CLAMPING SCREW: M3, BRASS, NICKEL PLATED
- 2 END-TO-END STACKABLE WITHOUT LOSS OF CENTERLINE SPACING
- 3 WIRE SIZE RANGE: 16-28 AWG
- 4 RECOGNIZED UNDER THE COMPONENT PROGRAM OF UNDERWRITERS LABORATORIES INC. FILE NO. E60677
- 5 IMQ CERTIFICATE WITH SURVEILLANCE IN COMFORMITY WITH IEC 998-17998-2-1.



RECOMMENDED PC BOARD LAYOUT

OBsolete	TAPE AND REEL	15.0	3	1-1776118-3
-	-	40.0	8	1776118-8
-	-	35.0	7	1776118-7
-	-	30.0	6	1776118-6
-	-	25.0	5	1776118-5
-	-	20.0	4	1776118-4
-	-	15.0	3	1776118-3
-	-	10.0	2	1776118-2
PACKAGING		L.	NUMBER OF POSN.	PART NO.

THIS DRAWING IS A CONTROLLED DOCUMENT.		DWN JR_RUTH 28OCT2010	TE Connectivity TERMINAL BLOCK ASSEMBLY, PCB MOUNT, SIDE ENTRY WIRE, STACKING 5.00mm PITCH		
DIMENSIONS: mm		CHK C. RICHARD 28OCT10			NAME
TOLERANCES UNLESS OTHERWISE SPECIFIED: 0 PLC ± - 1 PLC ± .2 2 PLC ± .15 3 PLC ± - 4 PLC ± - ANGLES ± -		APVD C. RICHARD 28OCT10			PRODUCT SPEC
MATERIAL		FINISH			APPLICATION SPEC
MATERIAL		FINISH	WEIGHT	SIZE A2	
MATERIAL		FINISH	WEIGHT	CAGE CODE 00779	
MATERIAL		FINISH	WEIGHT	DRAWING NO 1776118	
MATERIAL		FINISH	WEIGHT	RESTRICTED TO	
MATERIAL		FINISH	WEIGHT	SCALE 5:1	
MATERIAL		FINISH	WEIGHT	SHEET 1 of 1	
MATERIAL		FINISH	WEIGHT	REV A2	