

ZLUSBEVAL3Z

USB to PMBus™ Adapter

AN1900

Rev 1.00

September 29, 2014

The Intersil USB to PMBus Adapter (often referred to as a “dongle”) is used to connect a demonstration board with a PMBus interface to a PC. The USB to PMBus adapter is powered from the USB output of the host PC. The USB interface utilizes the USB Mini format, and the output uses a standard 2 row, 6 pin header on 0.100 inch centers. The PMBus command set is accessed by using the PowerNavigator™ evaluation software from a PC running Microsoft Windows. PowerNavigator software is downloaded from the Intersil website using the following link: <http://www.intersil.com/powernavigator.html>

Ordering Information

PART NUMBER	DESCRIPTION
ZLUSBEVAL3Z	USB to PMBus Adapter and Cable

USB to PMBus Adapter Quick Start Guide

- Connect the USB Mini provided between the host computer and the USB to PMBus adapter
- Connect USB to PMBus adapter to demonstration board to test or evaluate
- Apply input power (labeled VIN) to the demonstration board
- Using the host PC’s internet browser, connect to the following website: <http://www.intersil.com/powernavigator.html>
- Follow the instructions on the website.
- Once the PowerNavigator software is installed, double-click on the PowerNavigator icon and follow the software’s instructions

Technical Details

A typical application set-up is shown in [Figure 1](#). For those wishing to make discrete connections to an application board, a pictorial diagram of the output pin signals is shown in [Figure 2](#). A schematic of the USB to PMBus Adapter internal circuitry is provided in [Figure 3](#). The Bill Of Materials is detailed on [page 3](#).

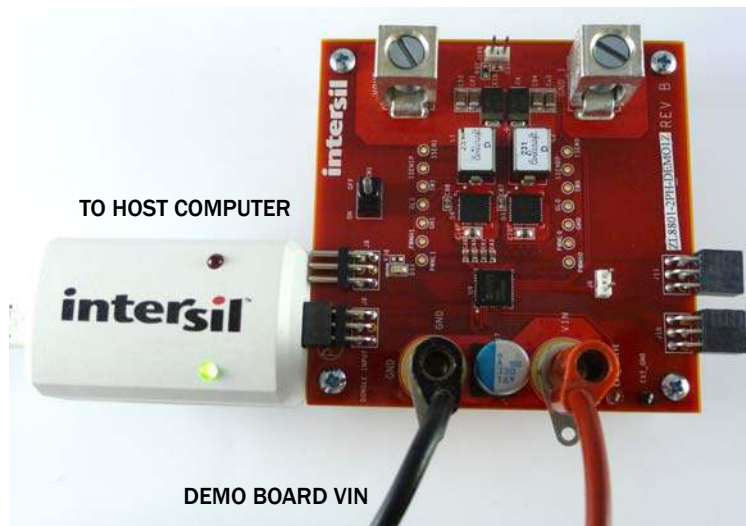


FIGURE 1. USB TO PMBus TYPICAL SET-UP

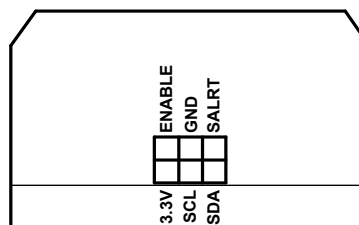


FIGURE 2. PIN CONFIGURATION DIAGRAM

ZLUSBEVAL3Z Schematic

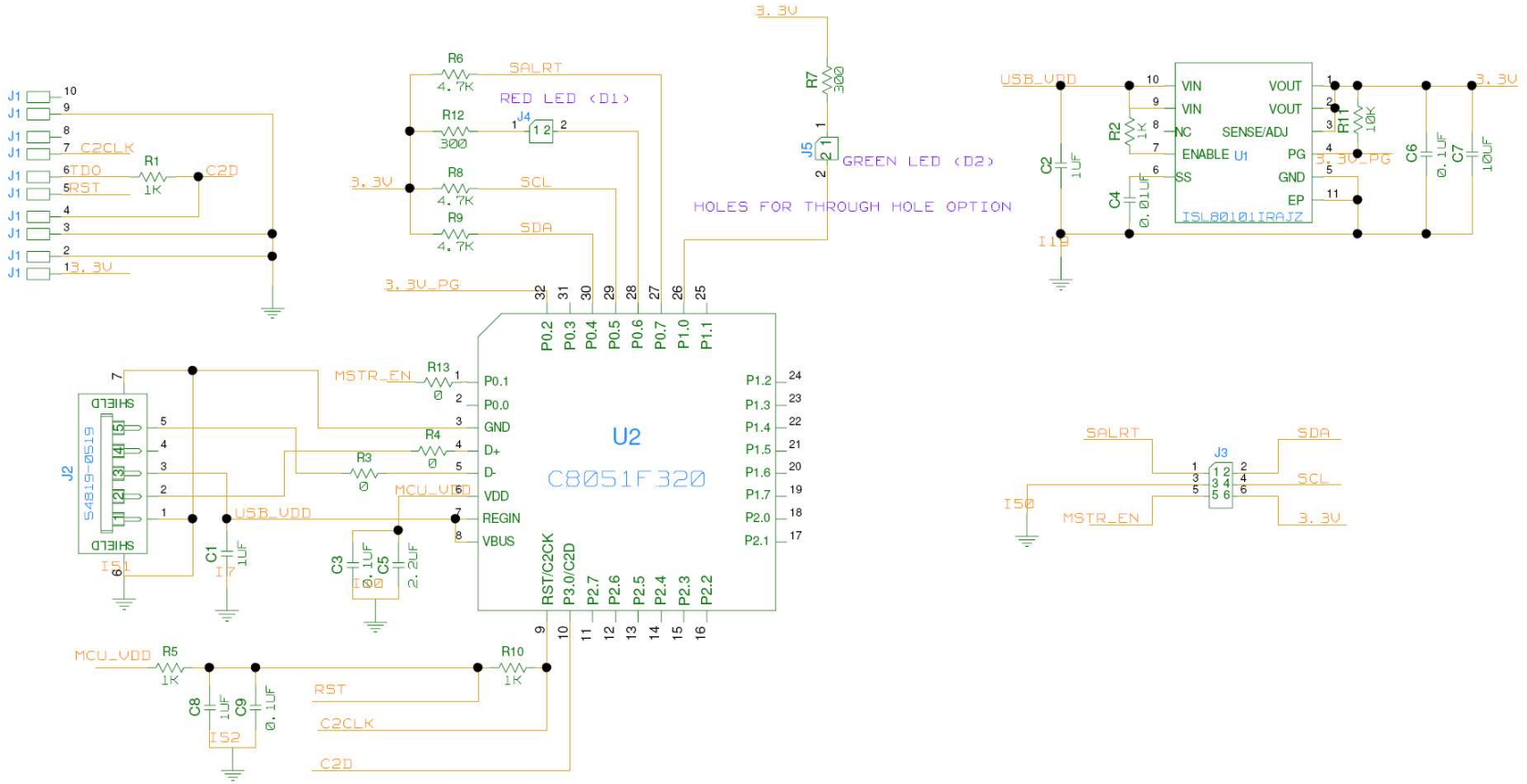


FIGURE 3. USB TO PMBus ADAPTER SCHEMATIC

USB to PMBus Bill Of Materials

PART #	REF DES	QTY	VALUE	TOL.	VOLTAGE	POWER	PACKAGE TYPE	MANUFACTURER	DESCRIPTION
54819-0519	J2	1					VER1	MOLEX	GRAY USB TYPE B MINI-B Header Assembly
TSW-105-07-T-D	J1	1					10	MOLEX	10 PIN DUAL ROW VERTICAL PCB MALE CONNECTOR
C0805C106K8PACTU	C7	1	10 μ F	10%	10V		805	KEMET	Multilayer Cap
C1608X7R1C105K	C1, C2, C8	3	1 μ F	10%	16V		603	TDK	Multilayer Cap
C8051F320	U2	1					LQFP	SILICON LABRATORIES	General Purpose MicroControllers - PREPROGRAMMED
H1044-00103-16V10	C4	1	0.01 μ F	10%	16V		402	GENERIC	Multilayer Cap
H1044-00104-16V10	C3, C6, C9	3	0.1 μ F	10%	16V		402	GENERIC	Multilayer Cap
H2510-00R00-1/16W	R3, R4, R13	3	0	0%		1/16W	402	GENERIC	Thick Film Chip Resistor
H2510-01001-1/16W1	R1, R2, R5, R10	4	1k	1%		1/16W	402	GENERIC	Thick Film Chip Resistor
H2510-01002-1/16W1	R11	1	10k	1%		1/16W	402	GENERIC	Thick Film Chip Resistor
H2510-03000-1/16W1	R7, R12	2	300	1%		1/16W	402	GENERIC	Thick Film Chip Resistor
H2510-04701-1/16W1	R6, R8, R9	3	4.7k	1%		1/16W	402	GENERIC	Thick Film Chip Resistor
ISL80101IR33Z	U1	1			3.3V		DFN	INTERSIL	HIGH PERFORMANCE 1A LDO (Pb-Free) 3.3V
LMK107B7225KA-T	C5	1	2.2 μ F	10%	10V		603	Taiyo Yuden	CERAMIC CAP
MV5774C	D1	1					DIP2	EVERLGT ELECTRONICS	LED SS HI EFF RED DIFF 3MM
MV5474C	D2	1					DIP2	EVERLGT ELECTRONICS	LED SS HI EFF GREEN DIFF 3MM
SSQ-103-02-T-D-RA	J3	1					DIP	SAMTEC	6 Pin Header 2.54mm x 2.54mm (0.100) right angle
S1A-201209-INT13029	MECHANICAL	1						New Age Enclosures	Custom plastic encapsulation for dongle; includes screws
0887328800	MECHANICAL	1						Molex	USB A TO MINI B 1.8M WHITE Cable
	TOTAL	31							

Notice

1. Descriptions of circuits, software and other related information in this document are provided only to illustrate the operation of semiconductor products and application examples. You are fully responsible for the incorporation or any other use of the circuits, software, and information in the design of your product or system. Renesas Electronics disclaims any and all liability for any losses and damages incurred by you or third parties arising from the use of these circuits, software, or information.
2. Renesas Electronics hereby expressly disclaims any warranties against and liability for infringement or any other claims involving patents, copyrights, or other intellectual property rights of third parties, by or arising from the use of Renesas Electronics products or technical information described in this document, including but not limited to, the product data, drawings, charts, programs, algorithms, and application examples.
3. No license, express, implied or otherwise, is granted hereby under any patents, copyrights or other intellectual property rights of Renesas Electronics or others.
4. You shall not alter, modify, copy, or reverse engineer any Renesas Electronics product, whether in whole or in part. Renesas Electronics disclaims any and all liability for any losses or damages incurred by you or third parties arising from such alteration, modification, copying or reverse engineering.
5. Renesas Electronics products are classified according to the following two quality grades: "Standard" and "High Quality". The intended applications for each Renesas Electronics product depends on the product's quality grade, as indicated below.
"Standard": Computers; office equipment; communications equipment; test and measurement equipment; audio and visual equipment; home electronic appliances; machine tools; personal electronic equipment; industrial robots; etc.
"High Quality": Transportation equipment (automobiles, trains, ships, etc.); traffic control (traffic lights); large-scale communication equipment; key financial terminal systems; safety control equipment; etc.
Unless expressly designated as a high reliability product or a product for harsh environments in a Renesas Electronics data sheet or other Renesas Electronics document, Renesas Electronics products are not intended or authorized for use in products or systems that may pose a direct threat to human life or bodily injury (artificial life support devices or systems; surgical implantations; etc.), or may cause serious property damage (space system; undersea repeaters; nuclear power control systems; aircraft control systems; key plant systems; military equipment; etc.). Renesas Electronics disclaims any and all liability for any damages or losses incurred by you or any third parties arising from the use of any Renesas Electronics product that is inconsistent with any Renesas Electronics data sheet, user's manual or other Renesas Electronics document.
6. When using Renesas Electronics products, refer to the latest product information (data sheets, user's manuals, application notes, "General Notes for Handling and Using Semiconductor Devices" in the reliability handbook, etc.), and ensure that usage conditions are within the ranges specified by Renesas Electronics with respect to maximum ratings, operating power supply voltage range, heat dissipation characteristics, installation, etc. Renesas Electronics disclaims any and all liability for any malfunctions, failure or accident arising out of the use of Renesas Electronics products outside of such specified ranges.
7. Although Renesas Electronics endeavors to improve the quality and reliability of Renesas Electronics products, semiconductor products have specific characteristics, such as the occurrence of failure at a certain rate and malfunctions under certain use conditions. Unless designated as a high reliability product or a product for harsh environments in a Renesas Electronics data sheet or other Renesas Electronics document, Renesas Electronics products are not subject to radiation resistance design. You are responsible for implementing safety measures to guard against the possibility of bodily injury, injury or damage caused by fire, and/or danger to the public in the event of a failure or malfunction of Renesas Electronics products, such as safety design for hardware and software, including but not limited to redundancy, fire control and malfunction prevention, appropriate treatment for aging degradation or any other appropriate measures. Because the evaluation of microcomputer software alone is very difficult and impractical, you are responsible for evaluating the safety of the final products or systems manufactured by you.
8. Please contact a Renesas Electronics sales office for details as to environmental matters such as the environmental compatibility of each Renesas Electronics product. You are responsible for carefully and sufficiently investigating applicable laws and regulations that regulate the inclusion or use of controlled substances, including without limitation, the EU RoHS Directive, and using Renesas Electronics products in compliance with all these applicable laws and regulations. Renesas Electronics disclaims any and all liability for damages or losses occurring as a result of your noncompliance with applicable laws and regulations.
9. Renesas Electronics products and technologies shall not be used for or incorporated into any products or systems whose manufacture, use, or sale is prohibited under any applicable domestic or foreign laws or regulations. You shall comply with any applicable export control laws and regulations promulgated and administered by the governments of any countries asserting jurisdiction over the parties or transactions.
10. It is the responsibility of the buyer or distributor of Renesas Electronics products, or any other party who distributes, disposes of, or otherwise sells or transfers the product to a third party, to notify such third party in advance of the contents and conditions set forth in this document.
11. This document shall not be reprinted, reproduced or duplicated in any form, in whole or in part, without prior written consent of Renesas Electronics.
12. Please contact a Renesas Electronics sales office if you have any questions regarding the information contained in this document or Renesas Electronics products.
(Note 1) "Renesas Electronics" as used in this document means Renesas Electronics Corporation and also includes its directly or indirectly controlled subsidiaries.
(Note 2) "Renesas Electronics product(s)" means any product developed or manufactured by or for Renesas Electronics.

(Rev.4.0-1 November 2017)



SALES OFFICES

Renesas Electronics Corporation

<http://www.renesas.com>

Refer to "<http://www.renesas.com/>" for the latest and detailed information.

Renesas Electronics America Inc.
1001 Murphy Ranch Road, Milpitas, CA 95035, U.S.A.
Tel: +1-408-432-8888, Fax: +1-408-434-5351

Renesas Electronics Canada Limited
9251 Yonge Street, Suite 8309 Richmond Hill, Ontario Canada L4C 9T3
Tel: +1-905-237-2004

Renesas Electronics Europe Limited
Dukes Meadow, Millboard Road, Bourne End, Buckinghamshire, SL8 5FH, U.K
Tel: +44-1628-651-700, Fax: +44-1628-651-804

Renesas Electronics Europe GmbH
Arcadiastrasse 10, 40472 Düsseldorf, Germany
Tel: +49-211-6503-0, Fax: +49-211-6503-1327

Renesas Electronics (China) Co., Ltd.
Room 1709 Quantum Plaza, No.27 ZhichunLu, Haidian District, Beijing, 100191 P. R. China
Tel: +86-10-8235-1155, Fax: +86-10-8235-7679

Renesas Electronics (Shanghai) Co., Ltd.
Unit 301, Tower A, Central Towers, 555 Langao Road, Putuo District, Shanghai, 200333 P. R. China
Tel: +86-21-2226-0888, Fax: +86-21-2226-0999

Renesas Electronics Hong Kong Limited
Unit 1601-1611, 16/F., Tower 2, Grand Century Place, 193 Prince Edward Road West, Mongkok, Kowloon, Hong Kong
Tel: +852-2265-6688, Fax: +852-2886-9022

Renesas Electronics Taiwan Co., Ltd.
13F, No. 363, Fu Shing North Road, Taipei 10543, Taiwan
Tel: +886-2-8175-9600, Fax: +886-2-8175-9670

Renesas Electronics Singapore Pte. Ltd.
80 Bendemeer Road, Unit #06-02 Hyflux Innovation Centre, Singapore 339949
Tel: +65-6213-0200, Fax: +65-6213-0300

Renesas Electronics Malaysia Sdn.Bhd.
Unit 1207, Block B, Menara Amcorp, Amcorp Trade Centre, No. 18, Jln Persiaran Barat, 46050 Petaling Jaya, Selangor Darul Ehsan, Malaysia
Tel: +60-3-7955-9390, Fax: +60-3-7955-9510

Renesas Electronics India Pvt. Ltd.
No.777C, 100 Feet Road, HAL 2nd Stage, Indiranagar, Bangalore 560 038, India
Tel: +91-80-67208700, Fax: +91-80-67208777

Renesas Electronics Korea Co., Ltd.
17F, KAMCO Yangjae Tower, 262, Gangnam-daero, Gangnam-gu, Seoul, 06265 Korea
Tel: +82-2-558-3737, Fax: +82-2-558-5338