

322905 ✓ ACTIVE

SOLISTRAND

TE Internal #: 322905

Ring Terminals & Spade Terminals, Ring Tongue, 0 AWG Wire Size, 42.4 – 60.6 mm² Wire Size, 83700 – 119500 CMA Wire Size, Stud Size M6

[View on TE.com >](#)



Terminals & Splices > Ring Terminals & Spade Terminals



Ring & Spade Terminal Type: **Ring Tongue**

Wire Size: **83700 – 119500 CMA**

Stud Size: **M6**

Features

Product Type Features

Terminal Features	Inspection Slot
Stud Size	M6
Sealable	No
Wire Insulation Support Retention Type	Non-Insulation Support

Configuration Features

Number of Holes	1
-----------------	---

Body Features

Product Weight	1 g
----------------	-----

Contact Features

Ring & Spade Terminal Type	Ring Tongue
Barrel Type	Closed
Terminal Orientation	Right Angle
Terminal Plating Material	Tin

Mechanical Attachment

Wire Insulation Support	Without
-------------------------	---------



Dimensions

Wire Size	83700 – 119500 CMA
Stud Diameter	6.73 mm[.265 in]
Tongue Thickness	.79 mm[.031 in]
Barrel Inside Diameter	11.28 mm[.444 in]

Usage Conditions

Insulation Option	Uninsulated
Operating Temperature Range	170 °C[338 °F]

Operation/Application

Compatible With Wire Base Material	Copper
Compatible With Wire Plating Material	Tin

Industry Standards

Government Qualified Terminal	No
-------------------------------	----

Packaging Features

Packaging Quantity	50
Packaging Method	Loose Piece

Product Compliance

[For compliance documentation, visit the product page on TE.com>](#)

EU RoHS Directive 2011/65/EU	Compliant
EU ELV Directive 2000/53/EC	Compliant
China RoHS 2 Directive MIIT Order No 32, 2016	No Restricted Materials Above Threshold
EU REACH Regulation (EC) No. 1907/2006	Current ECHA Candidate List: JUNE 2023 (235) Candidate List Declared Against: JAN 2023 (233) Does not contain REACH SVHC
Halogen Content	Low Halogen - Br, Cl, F, I < 900 ppm per homogenous material. Also BFR/CFR/PVC Free
Solder Process Capability	Not applicable for solder process capability

Product Compliance Disclaimer

This information is provided based on reasonable inquiry of our suppliers and represents our current actual knowledge based on the information they provided. This information is subject to change. The part numbers that TE has identified as EU RoHS compliant have a maximum concentration of 0.1% by weight in homogenous materials for lead, hexavalent chromium, mercury, PBB, PBDE, DBP, BBP, DEHP, DIBP, and 0.01% for cadmium, or qualify for an exemption to these

limits as defined in the Annexes of Directive 2011/65/EU (RoHS2). Finished electrical and electronic equipment products will be CE marked as required by Directive 2011/65/EU. Components may not be CE marked. Additionally, the part numbers that TE has identified as EU ELV compliant have a maximum concentration of 0.1% by weight in homogenous materials for lead, hexavalent chromium, and mercury, and 0.01% for cadmium, or qualify for an exemption to these limits as defined in the Annexes of Directive 2000/53/EC (ELV). Regarding the REACH Regulation, the information TE provides on SVHC in articles for this part number is based on the latest European Chemicals Agency (ECHA) 'Guidance on requirements for substances in articles' posted at this URL: <https://echa.europa.eu/guidance-documents/guidance-on-reach>

Compatible Parts



TE Part # 1490414-3
HYP10 SOLIS HD 1/0AWG INDENTER



TE Part # 1-1490413-8
NEST, 90 DEG SOLISTRAND1/0

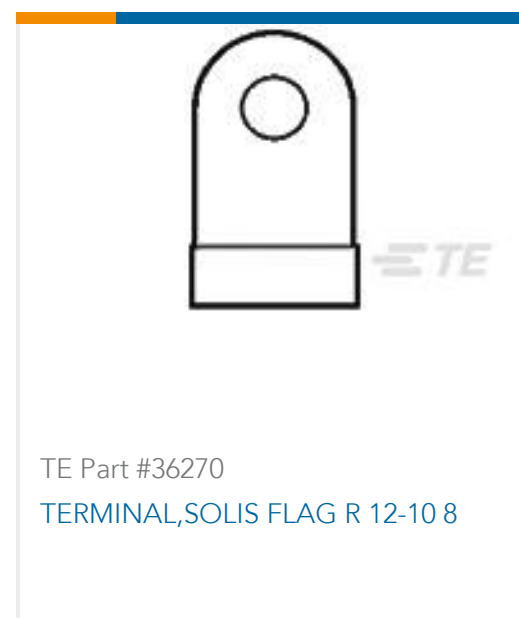
Customers Also Bought



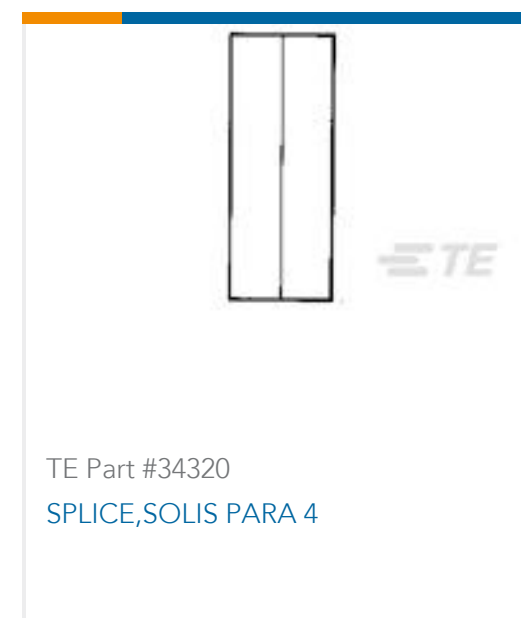
TE Part #2213800-1
COOLSPICE NEW STANDARD



TE Part #2-487406-4
FFC,RCPT CONTACT,STD PRESSURE



TE Part #36270
TERMINAL,SOLIS FLAG R 12-10 8



TE Part #34320
SPLICE,SOLIS PARA 4



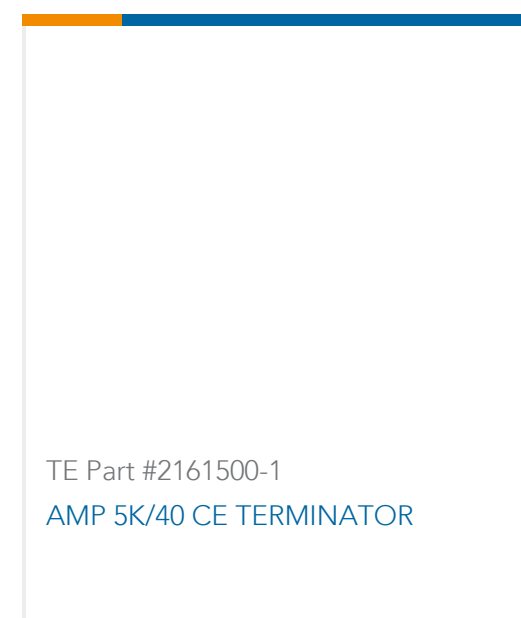
TE Part #33460
TERMINAL,SOLIS R 8 10



TE Part #34108
SOLIS R 22-16 COMM 22-18 MIL 8



TE Part #YDTS26W11-05SNV001
PLUG ASSY



TE Part #2161500-1
AMP 5K/40 CE TERMINATOR



TE Part #33457
TERMINAL,SOLIS R 12-10 10



TE Part #31807
TERMINAL,SOLIS R 8 10

Documents



Product Drawings

[TERMINAL,SOLIS R 90DEG 1/0 1/4](#)

English

CAD Files

[3D PDF](#)

3D

Customer View Model

[ENG_CVM_CVM_322905_G.2d_dxf.zip](#)

English

Customer View Model

[ENG_CVM_CVM_322905_G.3d_igs.zip](#)

English

Customer View Model

[ENG_CVM_CVM_322905_G.3d_stp.zip](#)

English

By downloading the CAD file I accept and agree to the [Terms and Conditions](#) of use.

Agency Approvals

[UL Report](#)

English

[UL Report](#)

English

[UL Report](#)

English