



With a high-resolution graphic display and intuitive features, Solis analytical balances provide an outstanding solution for a variety of lab applications. Versatile and resilient, the Solis is ideal for research and quality assurance labs; science education; precision counting; and production and manufacturing applications needing precision results. The Solis keypad is simple to use, with easy-to-read buttons and helpful navigation arrows for uncomplicated operation.

Superb performance and simple operation for demanding laboratories



Features

- High-resolution graphic display is amply sized for clear visibility
- Level indicator and adjustable feet ensure proper balance setup for optimum weighing results
- Security slot for optional Kensington-type lock and cable to help prevent theft
- Large, grade 304 stainless steel pan allows swift cleaning
- RS-232 interface is available to provide speedy connection to computers and printers
- Case and draft shield designed to reduce static electrical interference with the balance
- External calibration allows for verification and adjustment with weights
- Selectable digital filtering helps minimize effects of vibration and disturbances
- Security password control prevents unauthorized access
- Printouts include date and time for data tracking within Good Laboratory Practices (GLP) guidelines
- Multilingual display permits use in various regions
- Memory accumulation totals results
- Checkweighing with audible alarm
- Parts counting with preset sample sizes
- AC adapter included

Applications

- Weighing
- Parts counting
- Percentage weighing
- Checkweighing
- Dynamic / animal weighing
- Density determination
- Formulation
- Peak hold

About ADAM:

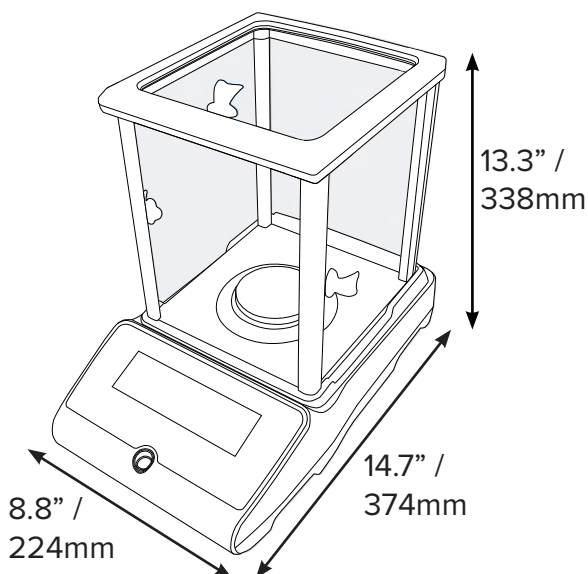
For more than 45 years, professionals worldwide have relied on Adam Equipment for an extensive selection of dependable and affordable weighing equipment. Adam provides the right balance of speed, performance and value.

Product Details

Model	SAB 125i	SAB 225i	SAB 124e	SAB 224e	SAB 314e	SAB 124i	SAB 224i	SAB 314i	SAB 414i	SAB 514i
Capacity	62g / 120g	82g / 220g	120g	220g	310g	120g	220g	310g	410g	510g
Readability	0.01mg/ 0.1mg	0.01mg/ 0.1mg	0.0001g	0.0001g	0.0001g	0.0001g	0.0001g	0.0001g	0.0001g	0.0001g
Repeatability (S.D.)	0.03mg/ 0.1mg	0.05mg/ 0.1mg	0.0001g	0.0001g	0.0001g	0.0001g	0.0001g	0.0001g	0.35mg	0.35mg
Linearity (+/-)	0.08mg / 0.2mg	0.1mg / 0.2mg	0.0003g	0.0003g	0.0004g	0.0003g	0.0003g	0.0004g	0.0005g	0.0005g
Minimum Weight (USP, typical)	10mg	10mg	10mg	10mg	10mg	10mg	10mg	10mg	10mg	10mg
Pan Size	3.1" / 80mm ø									
Weighing Units	g, mg, lb, oz, ct, GN, dwt, mm, ozt, T, tl.H, tl.S, tl.T, custom unit									
Stabilization Time (sec)	6					4				
Interface	RS-232									
Calibration	Internal automatic calibration			External calibration			Internal automatic calibration			
Display	Graphic display with 0.6" / 15mm high digits									
Power Supply	24V 50/60Hz 500mA adapter									
Operating Temperature	10° to 30°C / 50° to 86°F									
Housing	ABS plastic									
Draft Shield	Chamber 7.6"x7.7"x9.1" / 192x195x230mm									
Overall Dim.	8.8"x14.7"x13.3" / 224x374x338mm									
Net Weight	15.4lb / 7kg			14.8lb / 6.7kg			15.4lb / 7kg			

Accessories

Item number	Description
104008036	Anti-vibration table
1060014262	Density kit for balance up to 0.001g readability
3012014259	In-use wet cover
3014011014	RS-232 cable M-F
700100410	ABI-1 Ionizer
1120011156	ATP thermal printer
3126011263	ATP thermal printer paper
3126011281	ATP thermal printer paper (pack of 10)
600002028	AdamDU Data Collection Program
700660290	Calibration certificate
3014013041	Security lock cable



Key Accessories



Anti-vibration table
The AVT anti-vibration table offers a solid, stable surface to help decrease vibration during the operation of analytical or precision balances. The AVT can help reduce fluctuations and inconsistency in measurement resulting from environmental affects.



ATP thermal printer
Easy-to-use features combined with quick set-up equals a truly versatile thermal printer. A single push-button feed key and three easy-to-read LED indicators make operation simple.



AdamDU data collection program
Adam DU software connects a balance to the laboratory network, helping to achieve seamless data collection, transfer and analysis. DU features an easy-to-use interface with a main command window, allowing users to quickly collect information from up to eight Adam balances simultaneously using RS-232 or USB connections.

Supplied by

www.adamequipment.com