



Main

| | |
|------------------------------------|-------------------|
| Accessory / separate part category | Cabling accessory |
| Accessory / Separate Part Type | Jumper cable |

Complementary

| | |
|-------------------------------------|----------------------------------------------|
| Jumper cable end 1 | M8 male 3 pins straight screw-on and clip-on |
| Jumper cable end 2 | M12 female 5 pins elbowed screw-on |
| Collar material | Metal |
| Cable composition | 3 x 0.34 mm ² |
| Cable length | 3.28 ft (1 m) |
| Wire insulation material | PUR |
| Cable outer diameter | 0.20 in (5.2 mm) |
| [Ue] rated operational voltage | 45 V DC 60 V AC |
| Line Rated Current | 4 A |
| Insulation resistance | >= 1000 MOhm |
| Maximum resistance across terminals | 5000 mOhm |
| Net Weight | 0.14 lb(US) (0.065 kg) |

Environment

| | |
|---------------------------------------|-----------------------------------------------------------------------|
| IP Degree of Protection | IP65 IP67 IP69K |
| Product Certifications | cULus |
| Ambient air temperature for operation | -31...194 °F (-35...90 °C) static 23...194 °F (-5...90 °C) flexing |
| Ambient Air Temperature for Storage | -31...212 °F (-35...100 °C) |

Ordering and shipping details

| | |
|-----------------------|------------------------|
| Category | 22483 - MACHINE CABLES |
| Discount Schedule | DS3 |
| GTIN | 3389110554571 |
| Nbr. of units in pkg. | 1 |
| Package weight(Lbs) | 1.62 oz (46 g) |
| Returnability | No |
| Country of origin | CZ |

Packing Units

| | |
|------------------------------|------------------------|
| Unit Type of Package 1 | PCE |
| Package 1 Height | 0.59 in (1.5 cm) |
| Package 1 width | 7.87 in (20 cm) |
| Package 1 Length | 7.87 in (20 cm) |
| Unit Type of Package 2 | S02 |
| Number of Units in Package 2 | 50 |
| Package 2 Weight | 5.87 lb(US) (2.664 kg) |
| Package 2 Height | 5.91 in (15 cm) |
| Package 2 width | 11.81 in (30 cm) |
| Package 2 Length | 15.75 in (40 cm) |

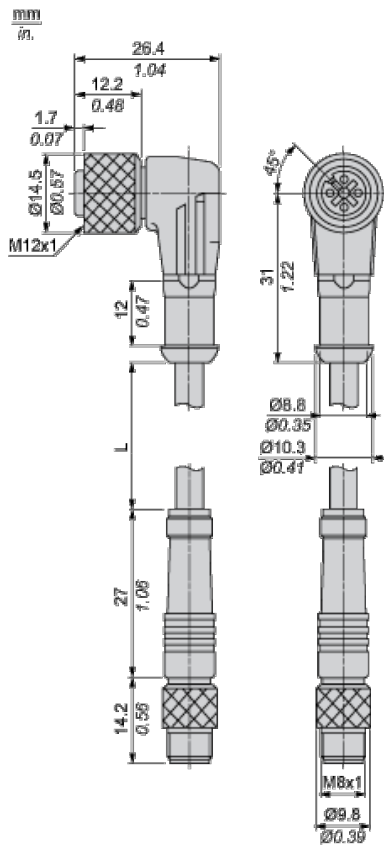
Offer Sustainability

| | |
|----------------------------|-----------------------------------------------------------------------------------------------------------------------------------------------------------------------------------------------------------------------------------------------------------------------------------------------------------------------------------------------------------------------------------|
| Sustainable offer status | Green Premium product |
| California proposition 65 | WARNING: This product can expose you to chemicals including: Diisononyl phthalate (DINP), which is known to the State of California to cause cancer, and Di-isodecyl phthalate (DIDP), which is known to the State of California to cause birth defects or other reproductive harm. For more information go to www.P65Warnings.ca.gov |
| REACH Regulation | REACH Declaration |
| EU RoHS Directive | Pro-active compliance (Product out of EU RoHS legal scope) EU RoHS Declaration |
| Mercury free | Yes |
| RoHS exemption information | Yes |
| Environmental Disclosure | Product Environmental Profile |
| Circularity Profile | End Of Life Information |

Contractual warranty

| | |
|----------|-----------|
| Warranty | 18 months |
|----------|-----------|

Dimensions



L : Length of cable

Connections and Schemes

