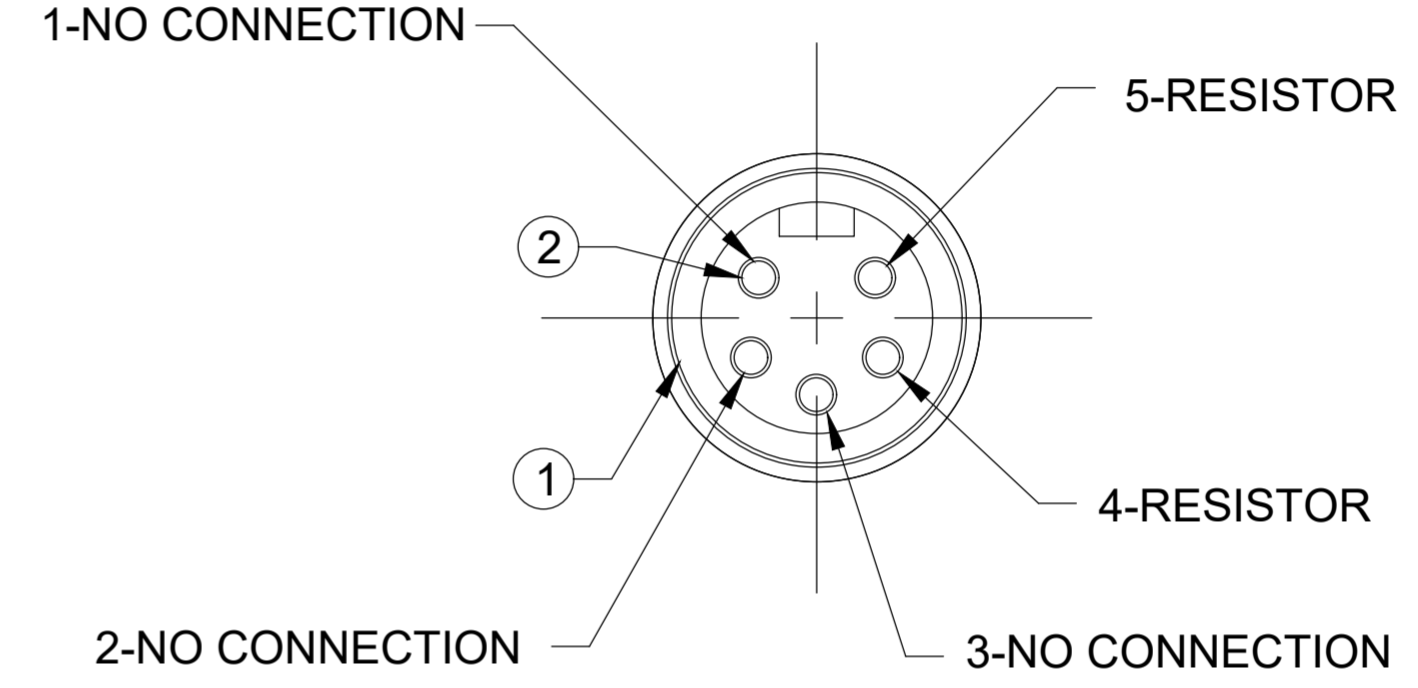
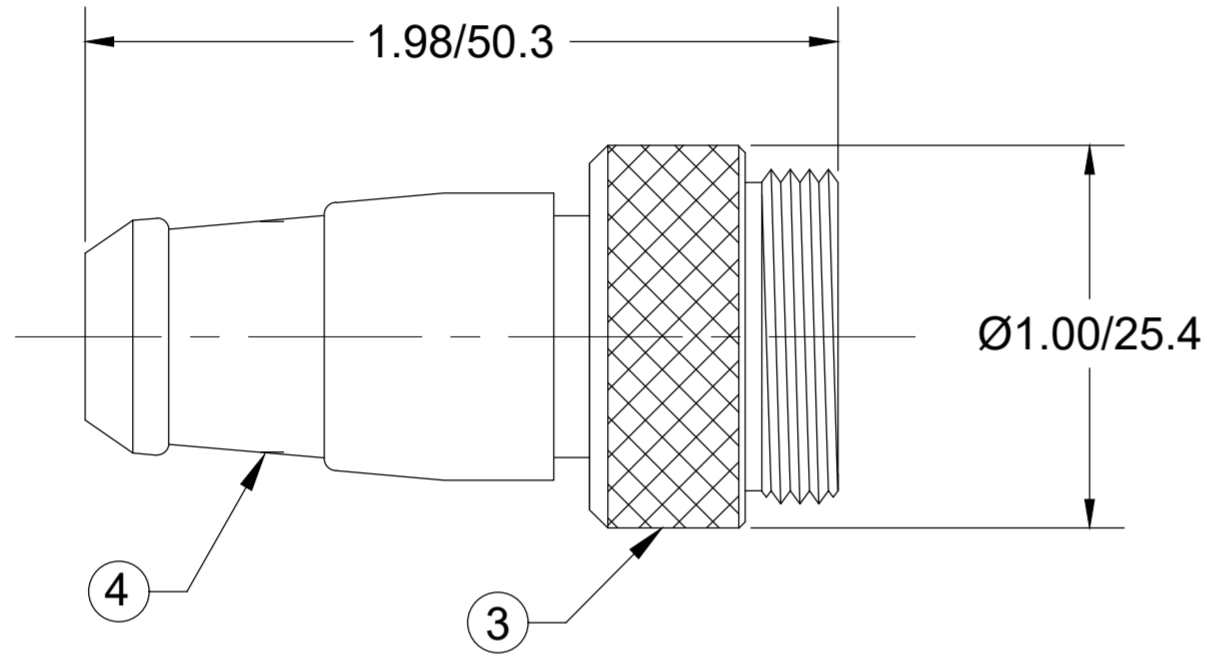
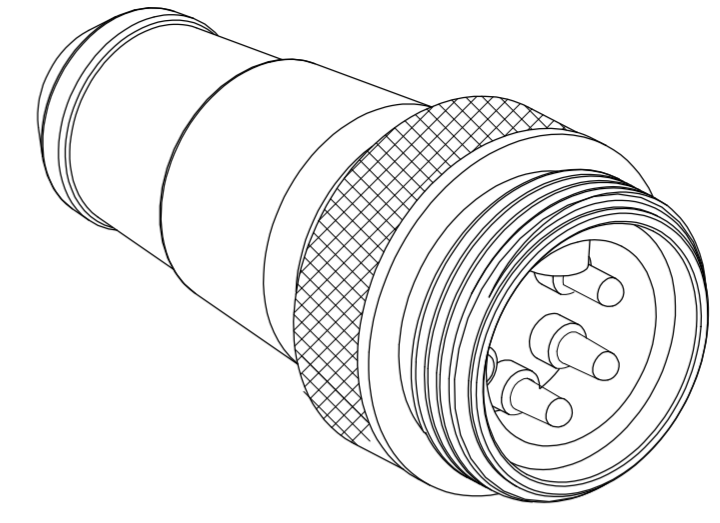


MATERIAL NUMBER	ENGINEERING NUMBER
1300390370	DN100



- NOTES:
- MATERIAL: AS NOTED
 - FINISH: AS NOTED
 - ELECTRICAL:
VOLTAGE: 50 VAC/VDC
CURRENT: 8 AMPS
 - TEMP RATING: 0°C TO +60°C
 - PROTECTION: IP67 (WHEN MATED)
 - COUPLING THREAD: 7/8"-16UN
 - ALL DIMENSIONS ARE FOR REFERENCE UNLESS TOLERANCED OR NOTED OTHERWISE

ITEM	COMPONENT	MATERIAL	FINISH
1	INSERT	TPE	GRAY
2	CONTACT PIN	COPPER ALLOY	GOLD OVER NICKEL
3	COUPLNG NUT	ZINC DIE CAST	BLACK E-COATED
4	OVERMOLD	TPE	GRAY
	RESISTOR	121 OHM 1% METAL FILM 1/4 WATT	

PRE-RELEASE
REFERENCE
USE ONLY

THIS DRAWING CONTAINS INFORMATION THAT IS PROPRIETARY TO MOLEX ELECTRONIC TECHNOLOGIES, LLC AND SHOULD NOT BE USED WITHOUT WRITTEN PERMISSION									
FUNCTIONAL SYMBOLS	DIMENSION UNITS		SCALE		CURRENT REV DESC: ITEM# 1 & 4 WERE PVC				
	INCH/MM		NTS						
DIVISIONAL SYMBOLS	GENERAL TOLERANCES (UNLESS SPECIFIED)				EC NO: 643513				
	4 PLACES ±----		±----		DRWN: ABENJAMINLW 2020/07/15				
	3 PLACES ±----		±----		CHK'D: RSTONE 2020/08/28				
	2 PLACES ±----		±0.01		APPR: ----				
	1 PLACE ±0.3		±----		INITIAL REVISION:				
	0 PLACES ±----		±----		DRWN: BWOODMAN 2009/03/17				
	ANGULAR TOL ± ---- °				APPR: JFMURPHY 2009/03/31				
DRAFT WHERE APPLICABLE MUST REMAIN WITHIN DIMENSIONS				THIRD ANGLE PROJECTION		DRAWING		SERIES	
						C-SIZE		130039	
DOCUMENT STATUS			RV	RELEASE DATE		2020/08/28 17:02:28			
								MINI-CHANGE TERMINATOR, A-SIZE, 5 POLE, MALE, STRAIGHT, SINGLE KEY, 22AWG	
								PRODUCT CUSTOMER DRAWING	
						DOCUMENT NUMBER		DOC TYPE/DOC PART/REVISION	
						SD-130039-002		PSD 001 B	
				MATERIAL NUMBER		CUSTOMER		SHEET NUMBER	
				SEE CHART		GENERAL MARKET		1 OF 1	