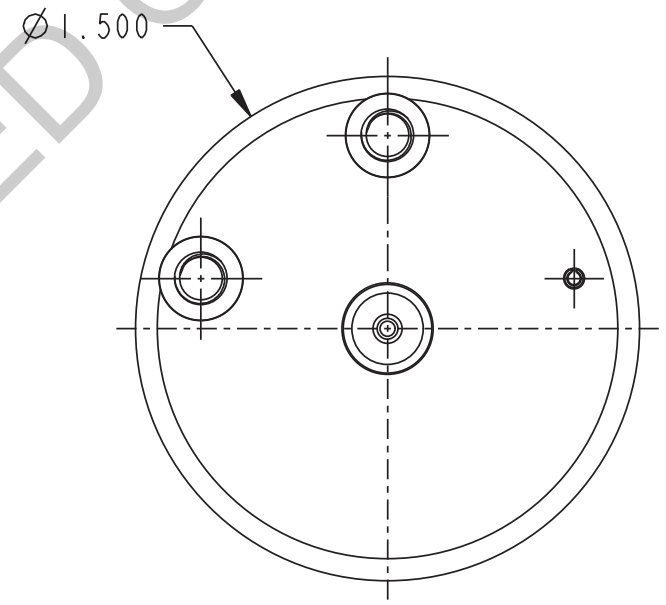
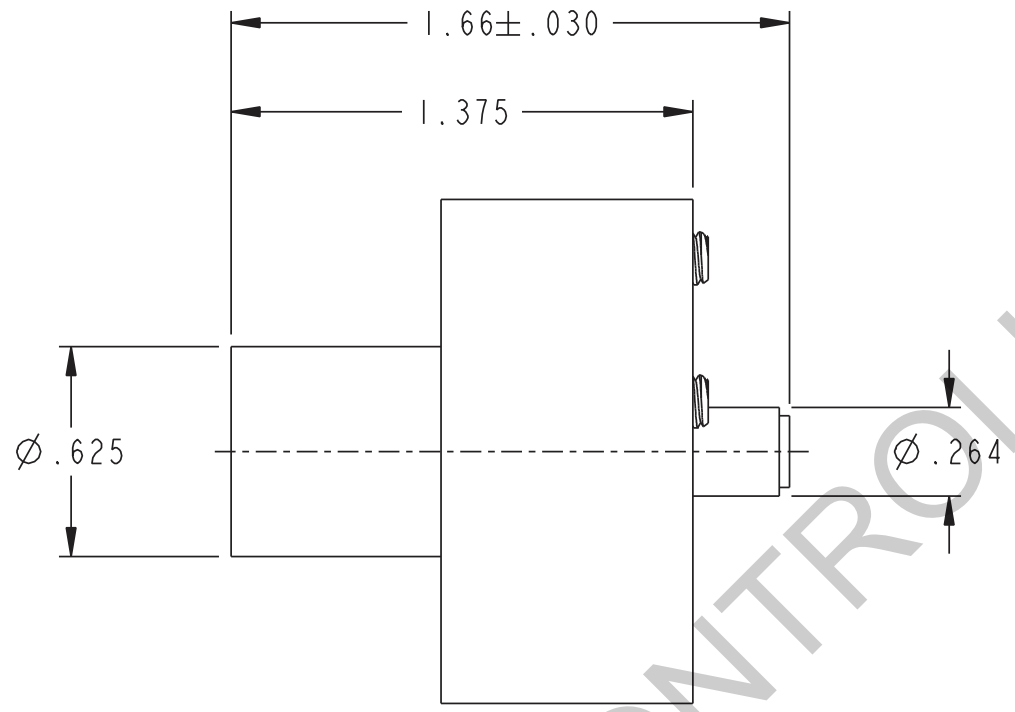
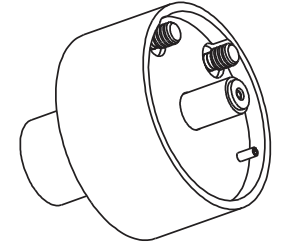


REVISIONS			
REV	DESCRIPTIONS	DATE	APPROVED
D	ECO 53433	6/28/11	B. RYAN


DATA CONTAINED IN THIS DOCUMENT IS PROPRIETARY TO EMERSON CONNECTIVITY SOLUTIONS AND SHALL NOT BE DISCLOSED, COPIED OR USED FOR PROCUREMENT OR MANUFACTURE WITHOUT EXPRESS WRITTEN PERMISSION



UNCONTROLLED COPY

1. FINISH: BODY: CLEAR ANODIZE
LOCATOR: SILICONE PROTECTANT

NOTES: UNLESS OTHERWISE SPECIFIED.

INTERPRET DRAWING PER MIL-STD-100. DIMENSIONS ARE IN INCHES AND INCLUDE FINISH THICKNESS UNLESS OTHERWISE SPECIFIED.		TOL: UNLESS SPECIFIED. .XX ± .02 .XXX ± .010 ANGLE ± 1°		 cinch CONNECTIVITY SOLUTIONS a bell group		Cinch Connectivity Solutions 299 Johnson Ave. Ste. 100 Waseca, MN 56093 1-800-247-8256	
DRN C. WALLACE	7/16/11	MATERIAL:		TITLE: POSITIONER, PIN CONTACT, 70 SERIES FULL CRIMP, MALE (M22520/1-01)			
CHK B. RYAN	7/18/11	FINISH:		SIZE A	CAGE CODE 14949	DRAWING NO. 010-0044	REV. D
QUALITY				SCALE 2/1	DATE 11/24/86	SHEET 1 OF 3	
MANUF		DO NOT SCALE DWG					
APPROVED							
SURFACE AREA	PROJE FILE NO. 010-0044						