

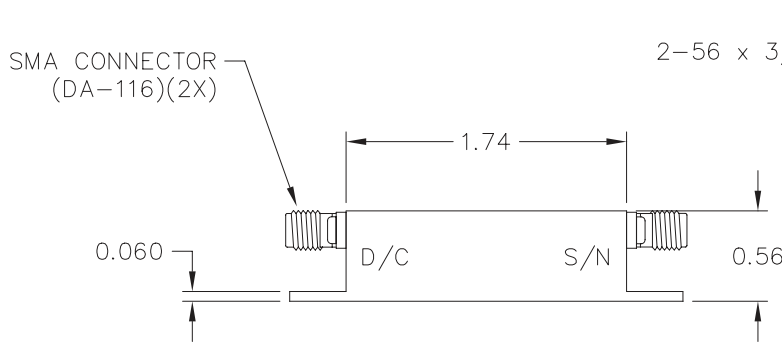
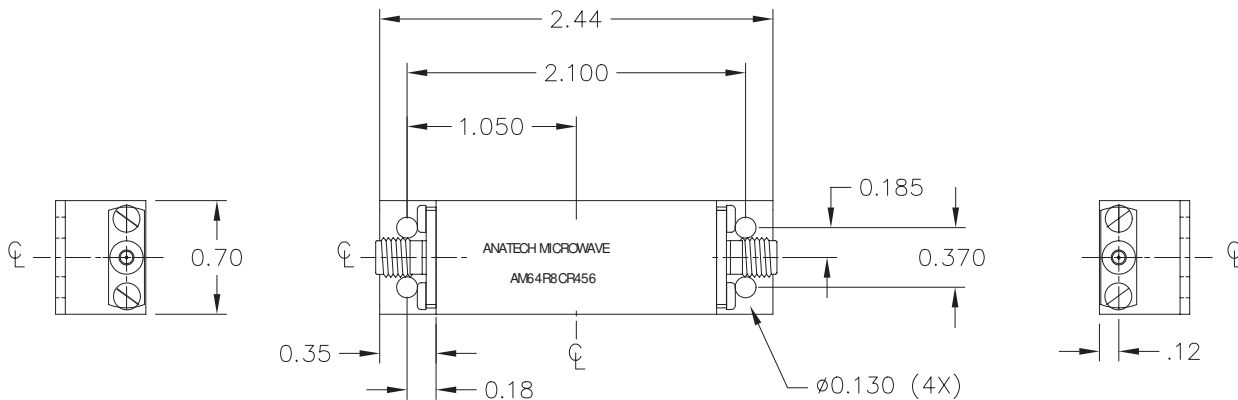


64.8MHz CRYSTAL BANDPASS FILTER

P/N AM64R8CR555

General Specifications

Center Frequency(F_o): 64.8MHz
 Insertion Loss @ F_o : <2.5dB
 3dB BW: $F_o \pm 20$ KHz
 Return Loss @ F_o : 14dB Max.
 Rejection @ 63.5MHz: >60dB
 Rejection @ 66.1MHz: >60dB
 Power Handling: 15dBm Max.
 Mechanical: Hermetically Sealed
 Connectors: SMA(F), In/Out



PACKAGE IS HERMETICALLY SEALED

USE THE FOLLOWING HARDWARE:
 2-56 x 3/16", PHMS, PHLP SS SCREW (HF-194)(4X)
 LOCK SCREWS WITH LOCTITE
 AFTER WATER POT TEST !

INCLUDE FOLLOWING HARDWARE:
 4-40 x .25 PHMS = HF-171 (4X)
 LOCK WASHER = HF-328 (4X)
 4-40 NUT(NARROW) = HF-304 (4X)